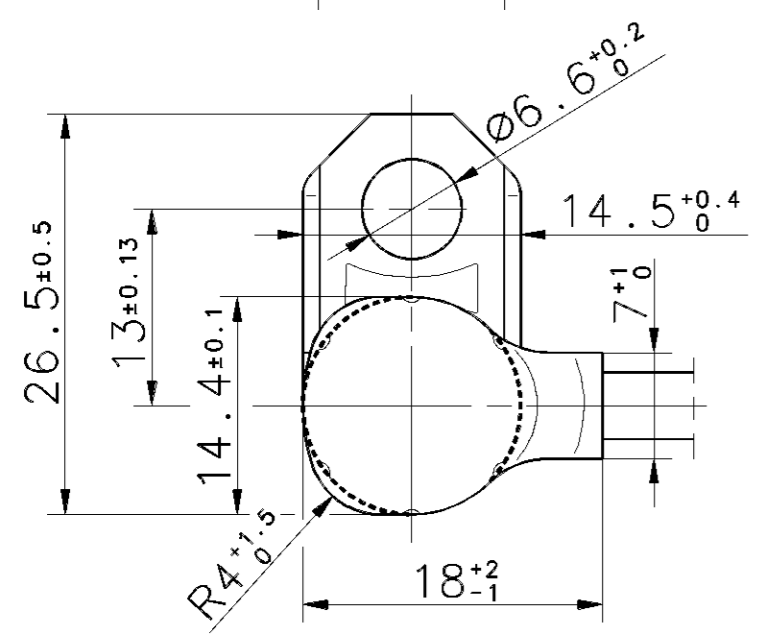
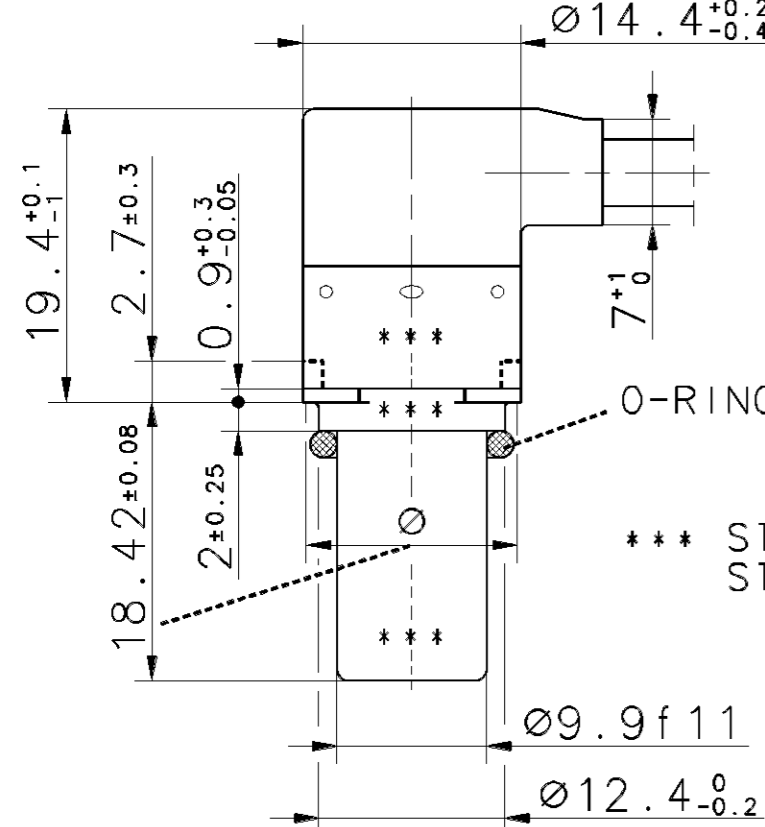
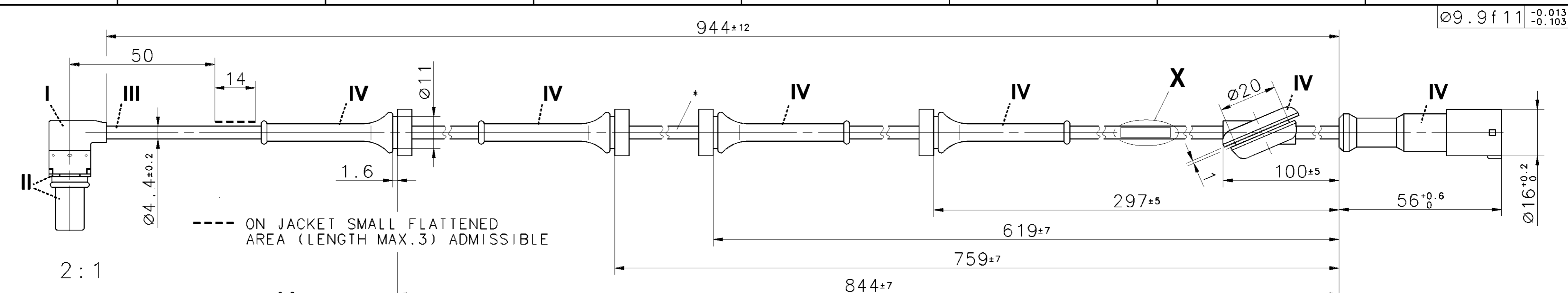


NON È PERMESSO CONCESSIONE A TERZI O RIPRODURRE QUESTO DOCUMENTO. NE UTILIZZARE IL CONTENUTO O RENDERSI RESPONSABILI PER DANNI SUBITI O PER DANNI CAUSATI A TERZI. IL RISPETTO DEI DIRITTI DERIVANTI DA BREVETTI O MODELLI. COPIING OF THIS DOCUMENT AND ITS USE OR COMMUNICATION TO OTHERS AND THE USE OF THE CONTENTS THEREOF WITHOUT THE WRITTEN PERMISSION OF WABCO IS PROHIBITED. ALL RIGHTS ARE RESERVED IN THE EVENT OF THE ABUSE AND RESULT IN A LIABILITY TO THE PAYMENT OF DAMAGES. GRANT OF PATENT OR REGISTRATION OF A UTILITY MODEL OR DESIGN. THIS DOCUMENT IS THE SUBJECT OF COPYRIGHT.



Ⓜ PROTECTION CAP TO BE USED FOR DELIVERY

CONDITION AS SUPPLIED  
AUSLIEFERUNGSZUSTAND  
ETAT DE LIVRAISON  
STATO DI FORNITURA

\*\*\* COLOUR  
FARBE } BLUE  
COULEUR } BLAU  
COLORE } BLEU

DUST CAP 898 011 550 4 NOT BE FITTED TO SENSOR - INCLUDE IN SEPERATE BOX  
SCHUTZKAPPE 898 011 550 4 WIRD NICHT AUFGESTECKT-WIRD SEPERAT MITGELIEFERT

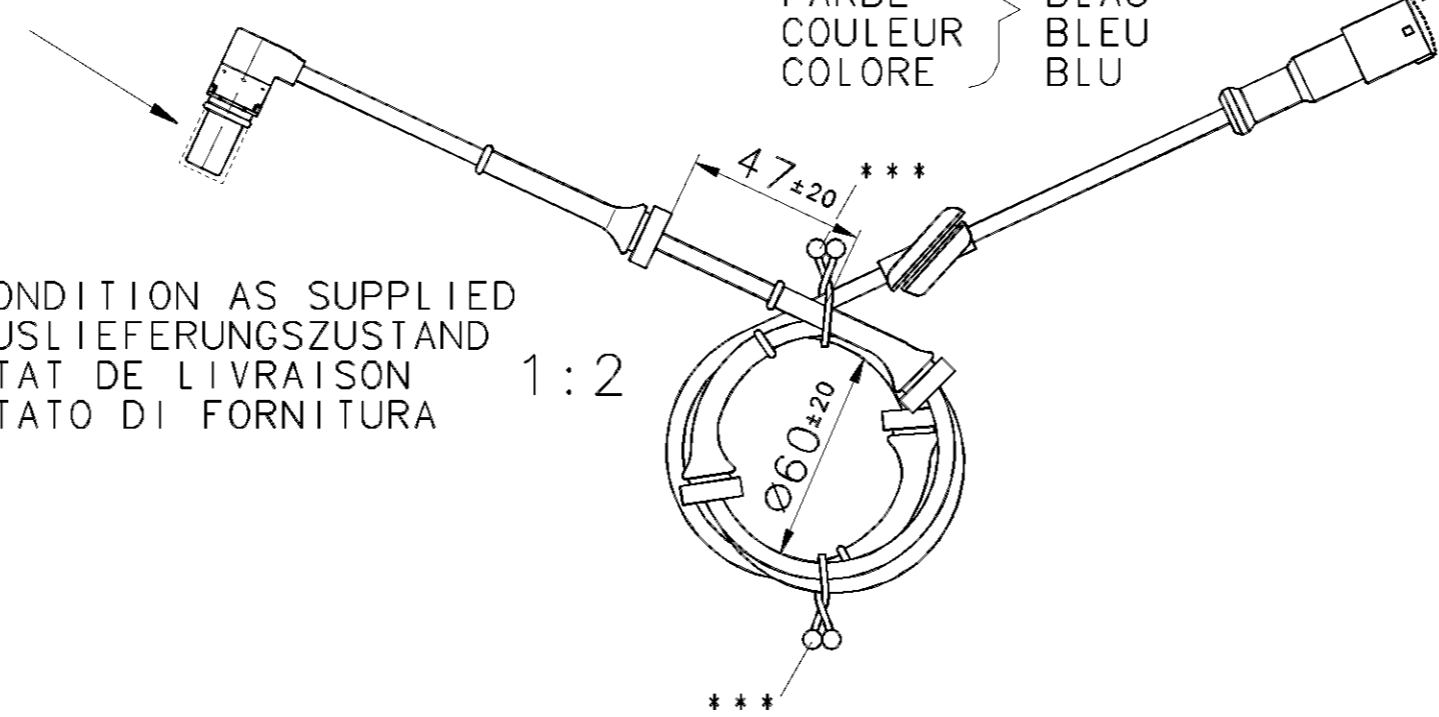
\* TWO CORE CABLE  
LEITUNG ZWEIADRIG  
CABLE A DEUX CONDUCTEURS  
CAVO A DUE CONDUTORI } THERMORAD  
2x0.5mm<sup>2</sup>  
ASC 77799 A

\*\* ABRASION RESISTANT PRINT  
ABRIEFESTER AUFDRUCK  
RESISTANTE A L'ABRASION  
RESISTENTE ALL'ABRASIONE } RAL 9001

BEND RADIUS CABLE  
BIEGERADIUS KABEL  
RAYON DE COURBURE DE CABLE  
RAGGIO DI CURVATURA DEL CAVO } R 15 MIN, <math>\sphericalangle 90^\circ</math>

STRAIN RELIEF CABLE  
ZUGENTLASTUNG KABEL  
ARRET DE CABLE  
SCARICO DI TRAZIONE DEL CAVO } MAX. 50N <sup>(1)</sup> <math>\varphi=20^\circ</math>

COIL RESISTANCE  
SPULENWIDERSTAND  
RESISTANCE DE BOBINE  
RESISTENZA DELLA BOBINA } 1050 ±100 Ω <math>\varphi=20^\circ</math>



X 2:1

WABCO-16-JED-369 \*\*



PART NO.  
TEILE-NR. \*\*  
NO. DE PIECE  
CODICE

THERMAL RANGE OF APPLICATION  
THERMISCHER ANWENDUNGSBEREICH  
GAMME D'APPLICATION THERMIQUE  
CAMPO DI APPLICAZIONE TERMICA

I -40°C... +150°C  
+200°C [1h]  
II -40°C... +150°C  
+180°C [1h]  
III -40°C... +180°C  
+220°C [1h]  
IV -40°C... +80°C

TYPE OF PROTECTION (IN CONNECTION WITH PLUG)  
SCHUTZART (IN VERBINDUNG MIT STECKER)  
MODE DE PROTECTION (DANS CONNECTION AVEC FICHE)  
TIPO DI PROTEZIONE (NELLE INAUTIVO CON SPINOTTO) } IP 68 → EN 60529/IEC 529  
IP 69K → DIN 40050 BL.9

FOR FURTHER TECHNICAL DATA SEE PRODUCT SPECIFICATION  
WEITERE TECHNISCHE DATEN SIEHE PRODUKT SPEZIFIKATION  
POUR AUTRES DONNEES TECHNIQUES VOIR PRODUCT SPECIFICATION  
PER ULTERIORI DATI TECNICI VEDERE SPECIFICA DI PRODOTTO } 441 032 300 0

GENERAL SPECIFICATION:		JED-334		CADAM-DRAWING COPYRIGHT		<b>WABCO</b>	
FURTHER TECHNICAL DATA:				DATE		SIGNATURE	
DOC. CODE:		SHEET: 10		175651		1x J 18-02-07	
GENERAL TOLERANCES		068376		1x H 99-08-04		DRAWN: MARKUSZEWSKI	
CLASS 1)		RANGE OF NOMINAL DIMENSIONS ( ± mm )		068358		1x G 99-04-15	
		≤50		064057		6x F 98-04-14	
		>50		064035		1x E 98-01-27	
		≤180		064027		1x D 97-11-07	
		>180		064003		8x C 97-07-25	
		≤400		061594		3x B 97-04-21	
		>400		061593		5x A 97-02-20	
FINE		0,5		1,0		1,5	
MEDIUM		1,0		2,0		3,0	
COARSE		2,0		3,5		5,0	
TAPPED HOLES ACC. ISO 4039 / JED-152		061593		5x A		97-02-20	
1) TOLERANCE CLASS APPLIED CROSSMARKED		DCN-NO.		REV.		DATE	
		A 2		141		760	
MASS		SCALE		PRODUCT IDENTIFICATION NO.			
KG		1:1		441 032 301 0			
SIZE		T.R.I.		DOC. CODE		SHEET	
				605		1/1	
		A 2		SHAPE CODE		REPLACEMENT FOR	
						884 010 085 0	

1069/012/3/04-93 605 653