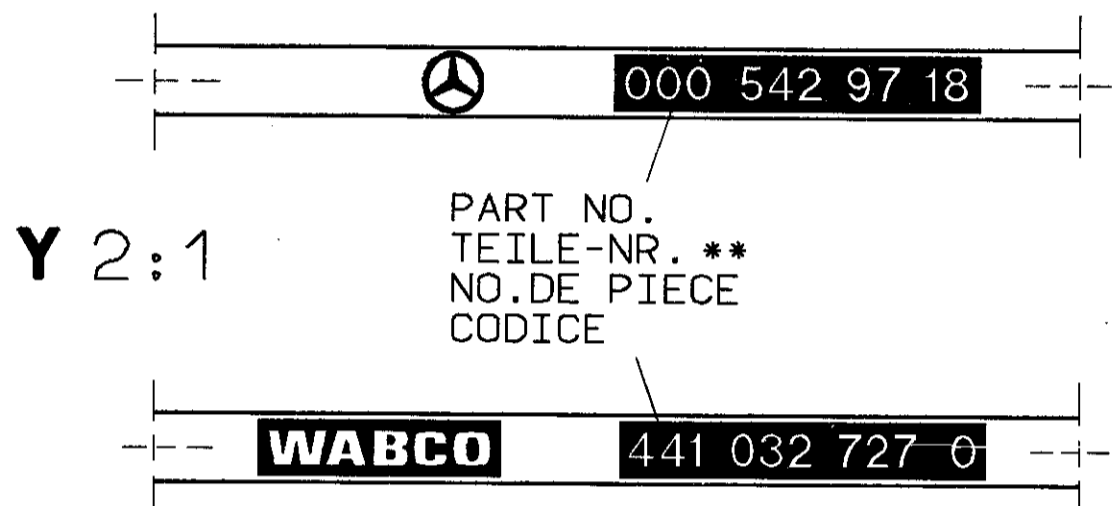
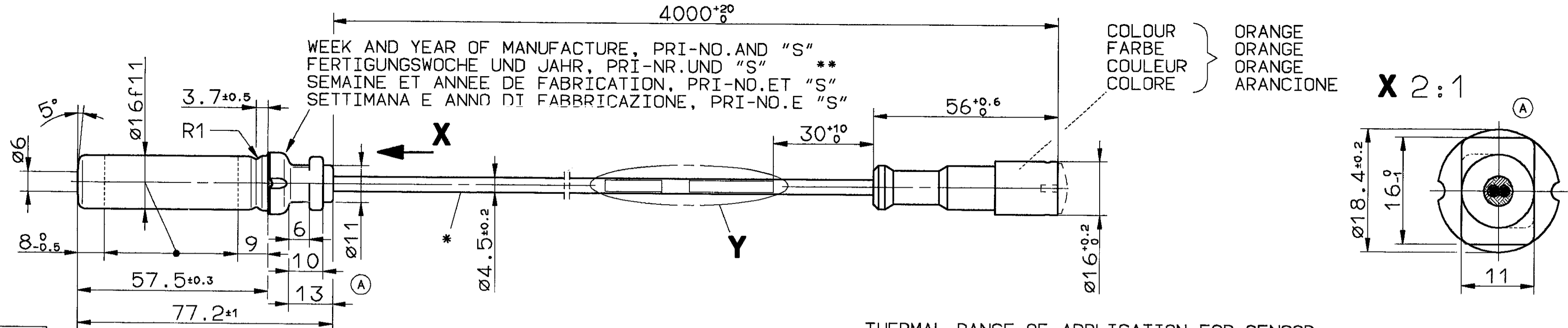


ALL RIGHTS RESERVED. NO PART OF THIS DOCUMENT IS TO BE REPRODUCED OR TRANSMITTED IN ANY FORM OR BY ANY MEANS, ELECTRONIC OR MECHANICAL, INCLUDING PHOTOCOPYING, RECORDING, OR BY ANY INFORMATION STORAGE AND RETRIEVAL SYSTEM. THE DESIGN OF THE PRODUCT IS THE PROPERTY OF WABCO. ALL RIGHTS ARE RESERVED IN THE EVENT OF THE APPEARANCE OF PATENT OR TRADEMARK RIGHTS. THE DESIGN OF THE PRODUCT IS THE PROPERTY OF WABCO. ALL RIGHTS ARE RESERVED IN THE EVENT OF THE APPEARANCE OF PATENT OR TRADEMARK RIGHTS.



THERMAL RANGE OF APPLICATION FOR SENSOR  
 THERMISCHER ANWENDUNGSBEREICH FÜR SENSOR  
 GAMME D'APPLICATION THERMIQUE POUR CAPTEUR  
 CAMPO DI APPLICAZIONE TERMICA DEL SENSORE } -40° C...+150° C  
 +180° C [1h]

THERMAL RANGE OF APPLICATION FOR CABLE  
 THERMISCHER ANWENDUNGSBEREICH FÜR KABEL  
 GAMME D'APPLICATION THERMIQUE POUR CABLE  
 CAMPO DI APPLICAZIONE TERMICA DEL CAVO } -40° C...+120° C

THERMAL RANGE OF APPLICATION FOR CONNECTOR SOCKET  
 THERMISCHER ANWENDUNGSBEREICH FÜR KUPPLUNGSDOSE  
 GAMME D'APPLICATION THERMIQUE POUR SOCLE DE PRISE DE COUPLAGE  
 CAMPO DI APPLICAZIONE TERMICA DEL CONNETTORE } -40° C...+80° C

FOR FURTHER TECHNICAL DATA SEE PRODUCT SPECIFICATION  
 WEITERE TECHNISCHE DATEN SIEHE PRODUKT SPEZIFIKATION  
 POUR AUTRES DONNEES TECHNIQUES VOIR PRODUCT SPECIFICATION  
 PER ULTERIORI DATI TECNICI VEDERE SPECIFICA DI PRODOTTO } 441 032 575 0

\* TWO CORE CABLE  
 LEITUNG ZWEIADRIG [KUPFERLITZE]  
 CABLE A DEUX CONDUCTEURS  
 CAVO A DUE CONDUTTORI } CTS  
 2x0.6mm<sup>2</sup>  
 FLR17Y11Y

CABLE SHEATHING  
 KABELMANTEL  
 GAINÉ DE CABLE  
 GUAINA DI CAVO } PUR

WIRE ISULATION  
 EINZELADERISOLATION  
 ISOLMENT DU CONDUCTEUR  
 ISOLAMENTO DEL FILO } EVA ELASTOMER

\*\* ABRASION RESISTANT PRINT  
 ABRIEBFESTER AUFDRUCK  
 RESISTANTE A L'ABRASION  
 RESISTENTE ALL'ABRASIONE } RAL 9001

BEND RADIUS CABLE  
 BIEGERADIUS KABEL  
 RAYON DE COURBURE DE CABLE  
 RAGGIO DI CURVATURA DEL CAVO } R 15 MIN, <math>\le 90^\circ</math>

STRAIN RELIEF CABLE  
 ZUGENTLASTUNG KABEL  
 ARRET DE CABLE  
 SCARICO DI TRAZIONE DEL CAVO } MAX. 50N <math>\pm 20^\circ C</math>

PARTS NUMBER OF MB IN BRACKETS  
 MB-TEILENUMMER IN KLAMMERN  
 NUMERO DE PIECE DE MB ENTRE PARENTHESES  
 NUMERO DI PEZZO DI MB FRA PARENTESI

GENERAL SPECIFICATION: JED-334		DATE: 94-08-10		SIGNATURE: [Signature]	
FURTHER TECHNICAL DATA:		DRAWN: [Signature]		CHECKED: [Signature]	
DOC. CODE: [ ] SHEET: [ ] TO: [ ]		94-08-10 HARNISCHM		INDUCTIVE SENSOR WITH SOCKET	
GENERAL TOLERANCES		94-08-10 HOEFLER		STABSSENSOR MIT KUPPLUNGSDOSE	
CLASS 1) RANGE OF NOMINAL DIMENSIONS (± mm)		STANDARDIZATION: 94-08-10 PANTZER		CAPTEUR AVEC SOCLE DE PRISE	
	≤50	>50 ≤180	>180 ≤400	SENSORE INDUTTIVO CON CONNETTORE	
FINE	0,5	1,0	1,5	MASS SCALE: 0.2 KG 1:1	
MEDIUM	1,0	2,0	3,0	PRODUCT IDENTIFICATION NO. 441 032 727 0	
COARSE	2,0	3,5	5,0	DOC. CODE: 605 SHEET: 1/1	
TAPPED HOLES ACC. ISO 4039 / JED-152		057523 2x3/4 95-04-20		REPLACEMENT FOR: [ ]	
1) TOLERANCE CLASS APPLIED CROSSMARKED		DCN-NO. REV. DATE		SHAPE CODE	