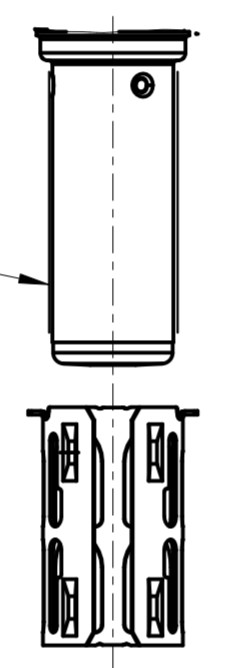
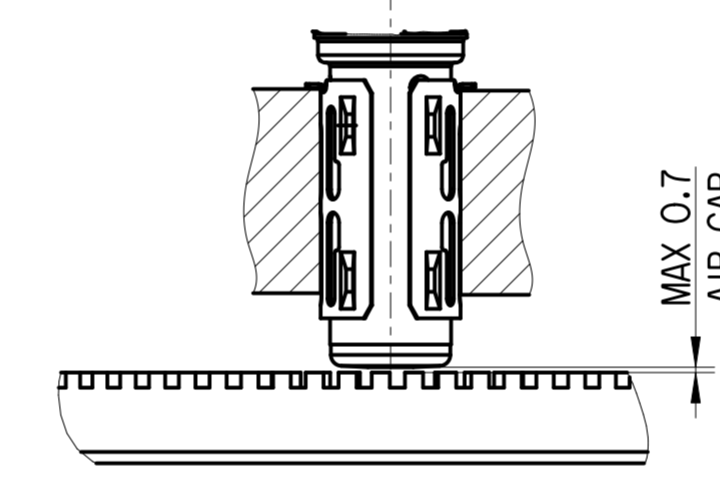


Connector Color: Gray

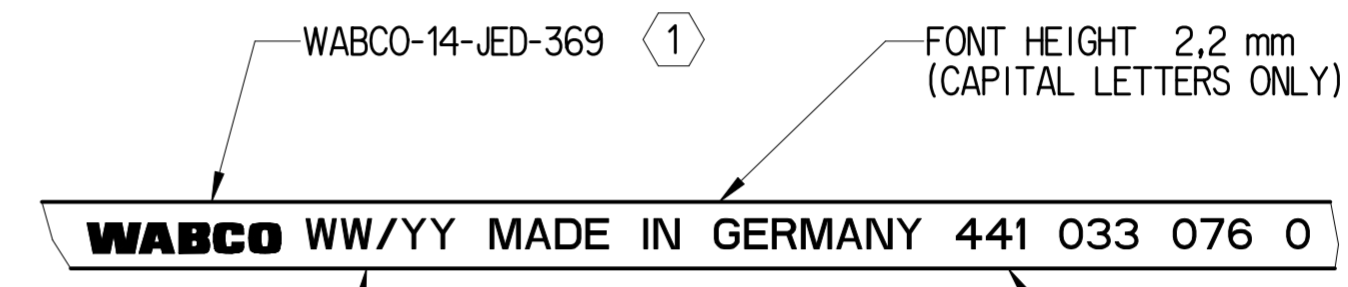
AREA TO BE GREASED



BEFORE ASSEMBLY VIEW

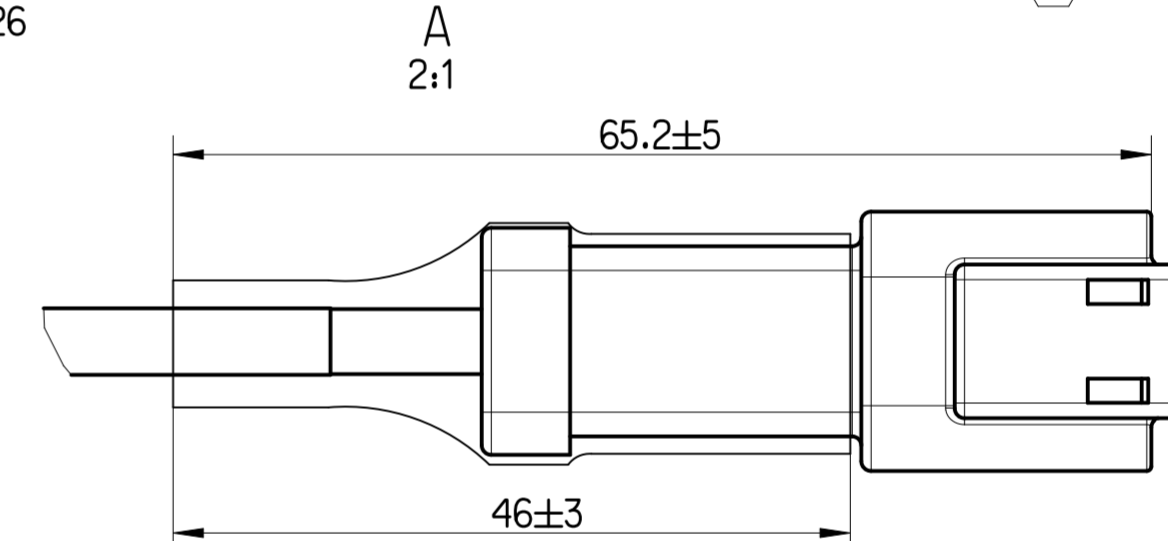


ASSEMBLY VIEW (IN VEHICLE)



1 IN FORMAT WW/YY ACCORDING TO JED-226

PART NO 1

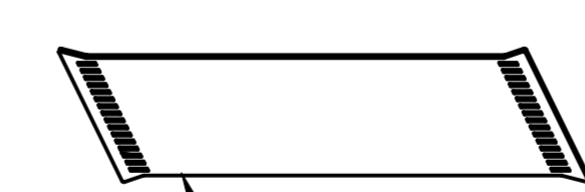


THERMAL RANGE OF APPLICATION

- I -40°C...+200°C  
+210°C[1h]
- II -40°C...+150°C  
+180°C[1h]
- III -40°C...+150°C
- IV -55°C...+125°C
- V -40°C...+125°C



894 501 001 4



830 503 062 4

- 1 ABRASION-RESISTANT LASER PRINTING. TEXT VISIBLE AGAINST THE BACKGROUND.
- 2 DEGREE OF PROTECTION (SENSOR HEAD): 6K9K
- 3 MINIMUM CABLE BEND RADIUS: R15
- 4 GLUED SLEEVE

Additional equipment		
Name	Number	QTY
Clamping bush	894 501 001 4	1
Grease	830 503 062 4	1

General Specification: ISO 8015, JED-334-1, Size ISO 14405 LP		Copyright ZF®	
Further Technical Data: Product Specification		Date	Signature
Doc. Code: 035	Sheet: 1 To 7	2025-06-23	Kaviya
General Tolerances JED-261		Checked	Manivannan
Range of nominal dimensions in mm		Dimensions in mm	
Class 1)	≤ 50	> 50 ≤ 180	> 180 ≤ 400
Fine	±0.5	±1	±1.5
Medium	±1	±2	±3
Coarse	±2	±3.5	±6.5
Tapped Holes acc. -		±3°	
1) Tolerance Class Applied Crossmarked		Mass	Scale
		0.25 kg	NTS
		Size	CAD System
		A 2	CREO
		Material No.	Date of first issue: 2025-06-10
		441 033 076 0	Doc.Code Language Sheet
		005 EN 1/1	Replacement for
		ECN-No.	Revision Techn. Resp.
		-	2x A 6310_AM

Non e permesso copiare, o terzi o riprodurre questo documento, ne utilizzare il contenuto o renderlo comunque noto o terzi senza autorizzazione esplicita. Ogni infrazione costituisce un abuso evidente ed eccesso sui autori o versamenti di damages et E' fatta riserva di tutti i diritti derivanti da brevetti o modelli.

Toute communication ou reproduction de ce document, toute exploitation ou communication de son contenu sont interdites, sauf autorisation expresse. Tout manquement a cette regle constitue un abus evident et excessif sur auteurs ou versements de damages et E' faite reserve de toutes les proprietes industrielles reserves, notamment en matiere de brevets et de modes.

Weitergabe sowie Vervielfältigung dieses Dokuments, Verwertung und Mitteilung ihres Inhalts ist nicht gestattet, soweit nicht ausdrücklich anders besprochen. Zuwiderhandlungen stellen einen offensichtlichen Missbrauch dar und verpflichten zu Schadensersatz. Alle Rechte hier den Fall der Patenterteilung oder Gebrauchsmuster-Eintragung vorbehalten.

dwn: 4410330760...035 / version: -2 / status: Approved / mdl: 4410330760\_032