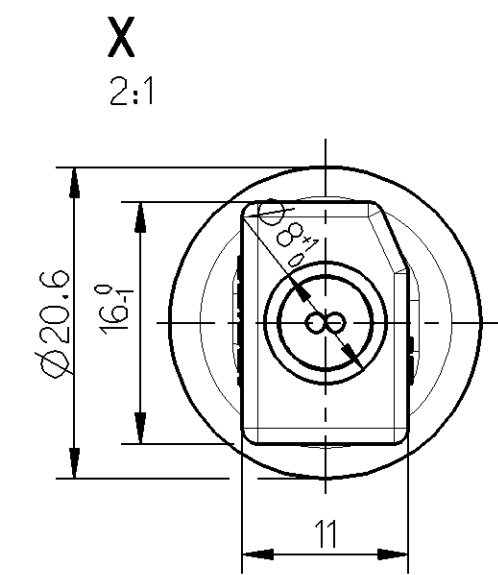
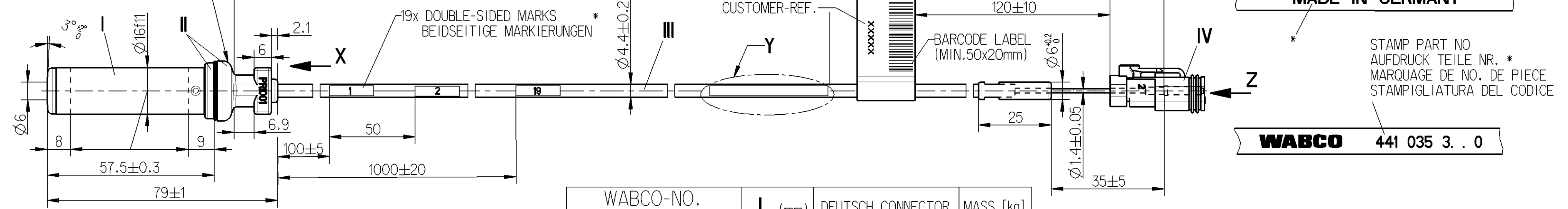


DATE OF MANUFACTURE
HERSTELLDATUM + HT
DATE DE FABRICATION
DATA DI FABBRICAZIONE



- Z**
- CODE A
GREY
GRAU
GRIS
GRIGIO
- CODE B
BLACK
SCHWARZ
NOIR
NERO
- CODE C
GREEN
GRUEN
VERT
VERDE
- CODE D
BROWN
BRAUN
BRUN
BRUNO

- I** -40 °C...+200 °C [1000h]
+210 °C [1h]
- II** -40 °C...+150 °C
+180 °C [1h]
- III** -40 °C...+180 °C
+220 °C [1h]
- IV** -40 °C...+125 °C

CONNECTOR SYSTEM ACCORDING TO CUSTOMER SPECIFICATION
WABCO DOES NOT PROVIDE ANY WARRANTY RELATING TO CONNECTOR-SYSTEM DEFECTS
STECKSYSTEM NACH KUNDENANGABEN
FUER MAENDEL AM STECKSYSTEM KEINE GEWAHRLEISTUNG DURCH WABCO
SYSTEME DE CONNECTEURS SUIVANT SPECIFICATION DU CLIENT
WABCO NE FOURNIT AUCUNE GARANTIE RELATIVE AUX DEFAUTS DANS LE SYSTEME DE CONNECTEURS
SISTEMA DI CONNETTORI SECONDO SPECIFICA DEL CLIENTE
WABCO NON FORNISCE NESSUNA GARANZIA SULLE DIFETTI DI SISTEMA DI CONNETTORI

FURTHER TECHNICAL DATA SEE PRODUCT SPECIFICATION
WEITERE TECHNISCHE DATEN SIEHE PRODUKT SPEZIFIKATION
AUTRES DONNEES TECHNIQUES VOIR PRODUCT SPECIFICATION
ULTERIORI DATI TECNICI VEDERE SPECIFICA DI PRODOTTO

441 032 390 0

INSTRUCTIONS OF INSTALLATION SEE ADAPTATION SPECIFICATION
EINBAUHINWEISE SIEHE ADAPTION-SPEZIFIKATION
INSTRUCTIONS D'INSTALLATION VOIR SPECIFICATION D'ADAPTION
ISIRUZIONI D'INSTALLAZIONE VEDERE SPECIFICA D'ADATTAMENTO

441 032 100 0

WABCO-NO. CUSTOMER-REF.	L (mm)	DEUTSCH CONNECTOR	MASS [kg]
441 035 321 0 21663166	2000	CODE B	0.096
441 035 322 0 21663162	2200	CODE A	0.101
441 035 323 0 21663164	3000	CODE A	0.122
441 035 324 0 21663167	2600	CODE B	0.112
441 035 325 0 21663170	1900	CODE C	0.094
441 035 326 0 21663172	2000	CODE D	0.096
441 035 328 0 21663165	3600	CODE A	0.137
441 035 329 0 21663169		CODE B	
441 035 330 0 21663168	3100	CODE B	0.124
441 035 331 0 21663173	3150	CODE D	0.125
441 035 332 0 21663163	2650	CODE A	0.113
441 035 333 0 21663171	3250	CODE C	0.127
441 035 355 0 22097961	4400	CODE A	0.157
441 035 356 0 22097962		CODE B	

TWO CORE CABLE
LEITUNG ZWEIADRIG
CABLE A DEUX CONDUCTEURS
CAVO A DUE CONDUTTORI

THERMORAD/RADOX 2x0.5mm² ← OPTIONAL

STRAIN RELIEF CABLE
ZUGENTLASTUNG KABEL
ARRET DE CABLE
SCARICO DI TRAZIONE DEL CAVO

MAX.50N $\vartheta=20^{\circ}\text{C}$

BEND RADIUS CABLE
BIEGERADIUS KABEL
RAYON DE COURBURE DE CABLE
RAGGIO DI CURVATURA DEL CAVO

R 15 MIN, $\alpha 90^{\circ}$

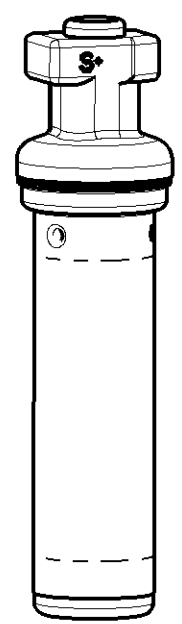
* ABRASION RESISTANT PRINT
ABRIEBFESTER AUFDRUCK
IMPRESSION RESISTANTE A L' ABRASION
IMPRONTA RESISTENTE ALL' ABRASIONE

RAL 9001

DEGREE OF PROTECTION
SCHUTZART
DEGRE DE PROTECTION
GRADO DI PROTEZIONE

IP 6K7
ISO 20653

1:1



General Specification: JED-334-0		Copyright WABCO®		WABCO		
Further Technical Data:		Date	Signature	INDUCTIVE SENSOR WITH PLUG		
Doc. Code: Sheet: To:		2012-12-12	Hornschmacher	STABSSENSOR MIT STECKER		
General Tolerances JED-261		2013-01-08	Hoeffler	CAPTEUR AVEC FICHE		
Range of Nominal Dimensions (± mm)		Expert		SENSORE INDUTTIVO CON SPINA		
Class 1)	≤ 50	> 50 ≤ 180	> 180 ≤ 400	> 400	↖	
Fine	0.5	1.0	1.5	2.0	±3°	
Medium	1.0	2.0	3.0	4.0		
Coarse	X 2.0	3.5	5.0	6.5		
Tapped Holes acc.		Gründker				
1) Tolerance Class Applied Crossmarked		Mass	Scale	Material No.		Date of first issue: 2009-06-17
		/	1:1	441 035 320 0		Doc.Code Language Sheet
		Size	CAD System			053 ML 1/1
		A 2	Pro/E	ECN-No.		Revision Techn. Resp.
				160209		2x C 6310_EM
				Replacement for		

100mm