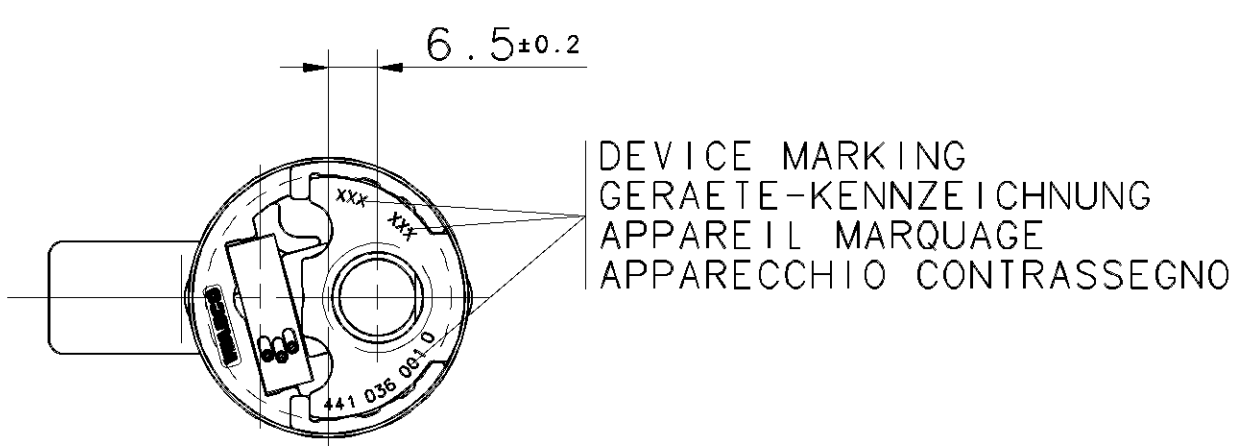


3H12 +0.100  
0  
12E12 +0.212  
+0.032



THERMAL RANGE OF APPLICATION  
THERM. ANWENDUNGSBEREICH :  
GAMME D'APPLICATION THERMIQUE : -25...+80°C  
CAMPO DI APPLICAZIONE TERMICA : (1h +110°C)

DEGREE OF PROTECTION ACCORDING TO  
SCHUTZART NACH :  
DEGRE DE PROTECTION SUIVANT : DIN 40050 : IP 67  
GRADO DI PROTEZIONE SECONDO :

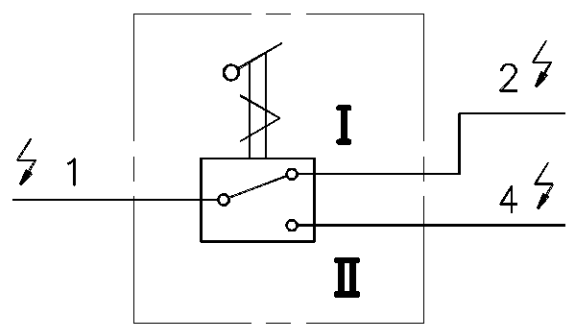
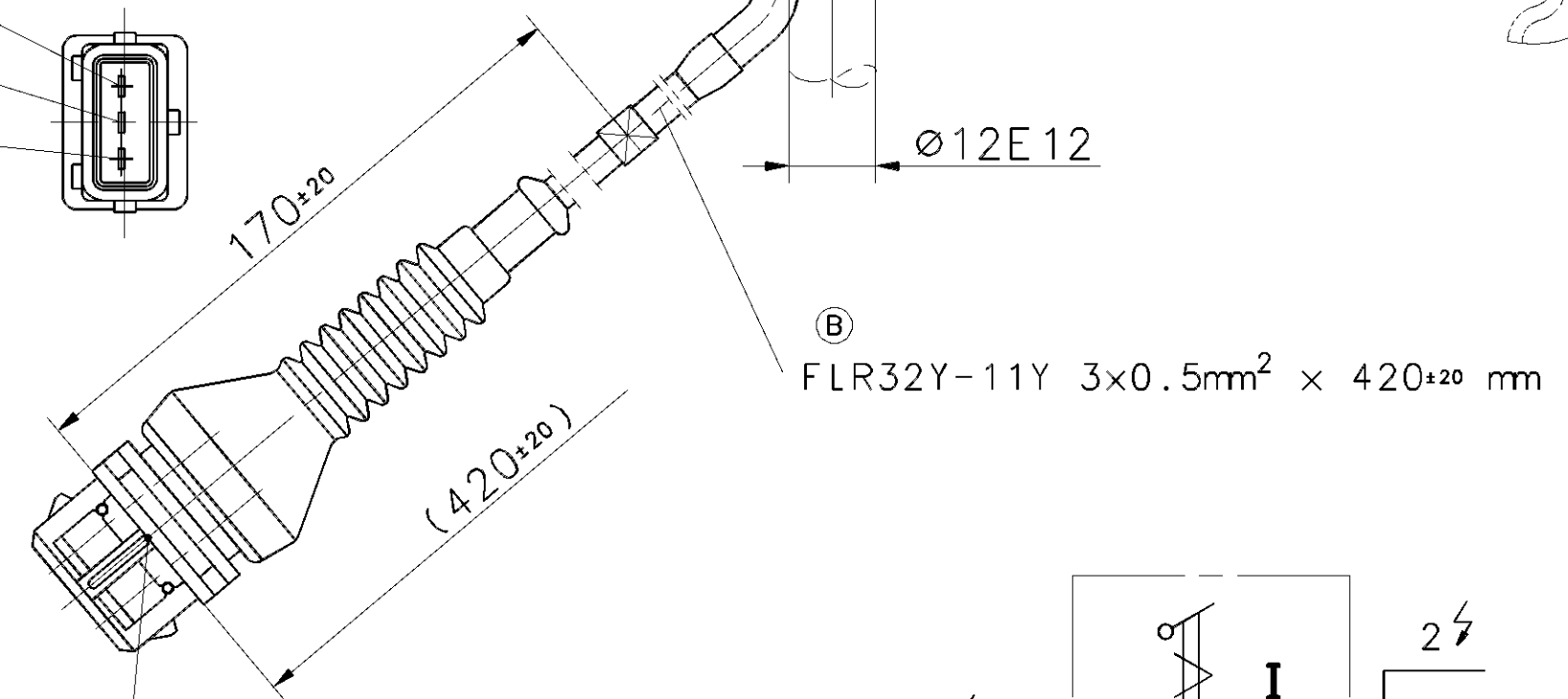
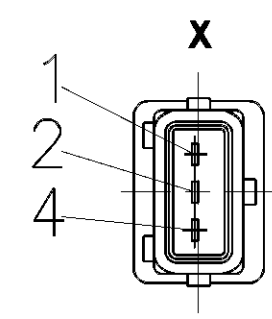
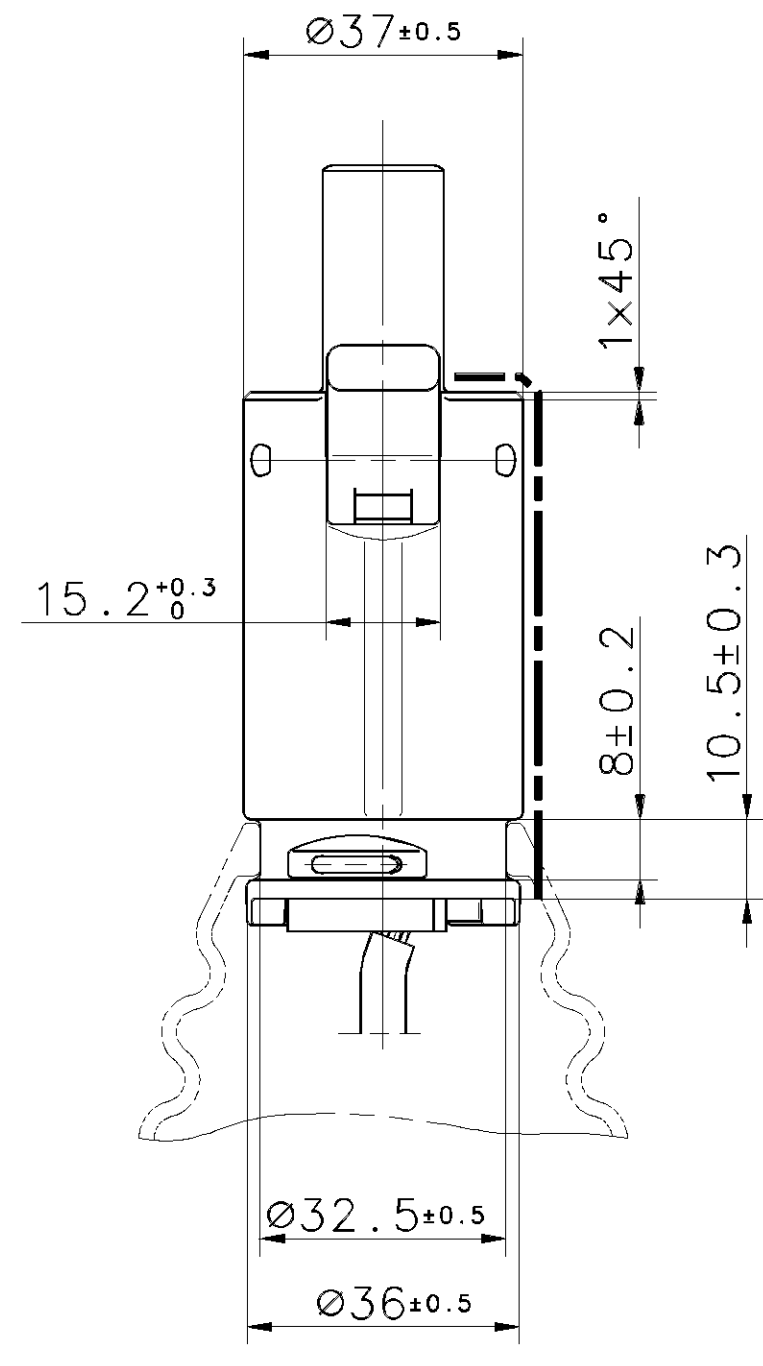
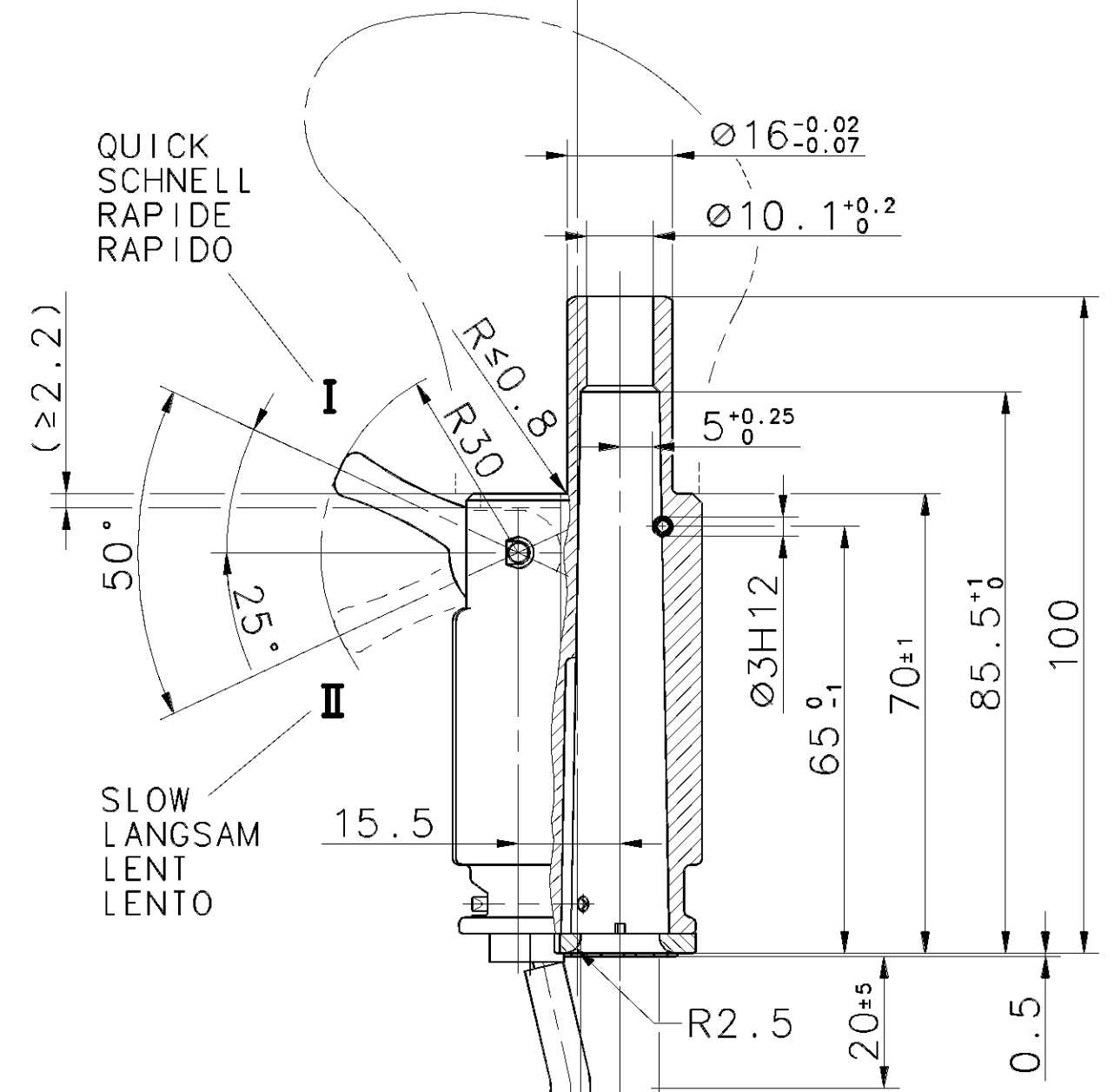
OPERATING TORQUE  
DREHMOMENT ZUR BETAETIGUNG :  
COUPLE DE COMMANDE : 0.3 Nm  
COPPIA DI COMANDO :

SWITCH LOAD : RESISTIVE LOAD  
SCHALTERBELASTUNG : OHMSCHER BELASTUNG : 24V / 10±5 mA  
CHARGE D'INTERRUPTEUR : CHARGE OHMIQUE  
CARICO DEL INTERRUTTORE : CARICO OHMICO

BODY : BICHROMATED  
GEHAEUSE : CHROMATIERT  
BOITIER : BICHROMATISE  
CORPO : BICROMATO

COATED WITH EPOXY RESIN  
EPOXIDHARZBESCHICHTET  
ENDUITE DE RESINE EPOXIDE  
SPALMATO DI RESINA EPOSSIDICA

COLOUR: RAL 9011  
FARBE :  
COULEUR: RAL 9011  
COLORE:



- 1 BLACK  
SCHWARZ  
NOIR  
NERO
- 2 BLUE  
BLAU  
BLEU  
BLU
- 4 BROWN  
BRAUN  
BRUN  
BRUNO

MB A034	545	39	28	kZ.s.	A030	545	43	28
MB A035	545	82	28	kZ.s.	A019	545	20	28
MB A000	545	28	39	kZ.s.	A000	545	27	39
MB A030	546	60	35	SCHUTZKAPPE				

GENERAL SPECIFICATION:		JED-334		
FURTHER TECHNICAL DATA:				
DOC. CODE:	SHEET:	TO		
GENERAL TOLERANCES				
CLASS	RANGE OF NOMINAL DIMENSIONS ( ± mm )			Δ
	≤50	> 50 ≤180	>180 ≤400	
FINE	0,5	1,0	1,5	2,0
MEDIUM	1,0	2,0	3,0	4,0
COARSE	2,0	3,5	5,0	6,5
TAPPED HOLES ACC. ISO 4039 / JED-152				± 3'
1) TOLERANCE CLASS APPLIED CROSSMARKED		DCN-NO.	REV.	DATE
		083810	2xB	03-02-13
		058768	2xA	98-11-02

CADAM-DRAWING COPYRIGHT		<b>WABCO</b>	
DATE	SIGNATURE	DRAWN: LIPPELT	
98-03-23		CHECKED: DIEKMEYER	
STANDARDIZATION:		PRODUCT IDENTIFICATION NO.	
MASS	SCALE	441 036 001 0	
0.4	1:1	DOC. CODE	SHEET
KG		605	1/1
SIZE	T.R.I.	REPLACEMENT FOR	
A 2	140		

NON È PERMESSO CONCESSIONE A TERZI O RIPRODURRE QUESTO DOCUMENTO, NE UTILIZZARNE IL CONTENUTO O RENDERSI RESPONSABILI PER QUALSIASI DANNI, DANNI SUBITI O DANNI SUBITI, E FATTA RISERVA DI TUTTI I DIRITTI DERIVANTI DA BREVETTI O MODELLI.  
 COPIING OF THIS DOCUMENT AND ITS USE OR COMMUNICATION OF THE CONTENTS THEREOF, WITHOUT THE WRITTEN PERMISSION OF THE MANUFACTURER, IS PROHIBITED. ALL RIGHTS ARE RESERVED IN THE EVENT OF THE GRANT OF PATENT OR REGISTRATION OF A UTILITY MODEL OR DESIGN. THIS DOCUMENT IS THE SUBJECT OF COPYRIGHT.

1609/012/3/04-93 605 653