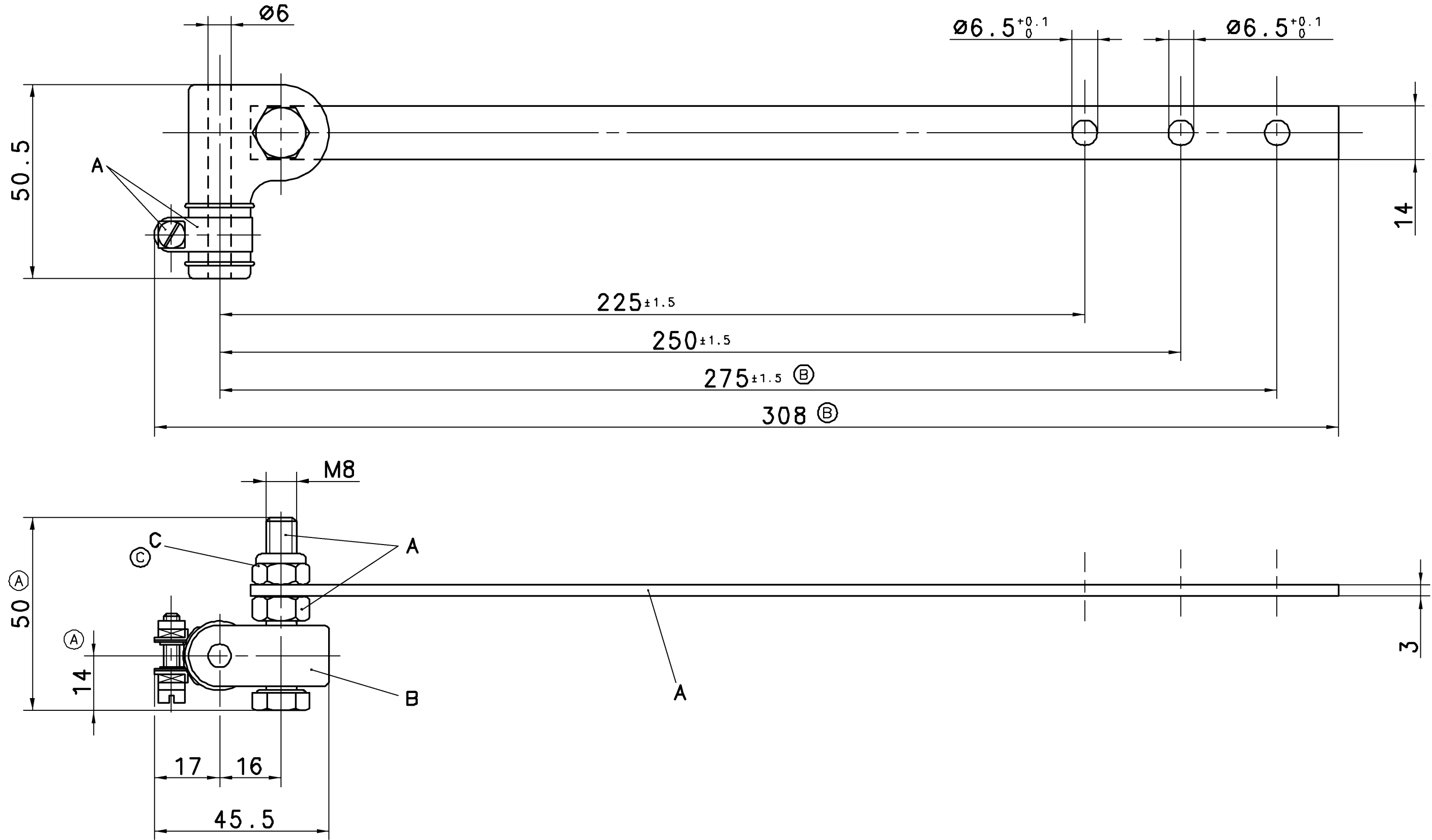


MATERIAL AND SURFACE PROTECTION

A	FE	/	ZN (JED-256)
B	CR (JED-288)	/	
C	FE	/	ZN (JED-256-4)



- 1 WORKING ENVIRONMENT : AIR (WATER- AND SALT CONTAINING)
 UMGEBUNGSMEDIUM : LUFT (WASSER- UND SALZHALTIG)
 FLUIDE AMBIANTE : AIR (CHARGE D'EAU DE SEL)
 FLUIDO AMBIENTE : ARIA (ACQUOSO E SALIFERO)
- 2.1 THERMAL RANGE OF APPLICATION UNDER NORMAL AMBIANT CONDITIONS :
 THERMISCHER ANWENDUNGSBEREICH : -40°...+80°C
 UNTER NORMALEN UMGEBUNGSBEDINGUNGEN :
 PLAGE DE TEMPERATURE EN UTILISATION CONTINUE DE :
 CAMPO D'APPLICAZIONE TERMICA NELLE NORMALI CONDIZIONI AMBIENTALI :
- 2.2 SHORT TERM RESISTANCE TO HEAT : AT
 KURZZEITIGE WAERMEBESTAENDIGKEIT : MAX. 1 h BEI +110°C
 RESISTANCE A LA CHALEUR A COURTE DUREE : EN
 RESISTENZA AL CALORE BREVE TEMPO SOLO : IN
- 3 INSTALLATION LIMITATIONS : NONE
 EINBAUBESCHRAENKUNGEN : KEINE
 RESTRICTIONS D'INSTALLATION : NON
 LIMITAZIONE DI MONTAGGIO : NON
- 4 MAINTENANCE REQUIREMENTS : NONE
 WARTUNGSANFORDERUNGEN : KEINE
 ENTRETIEN : NON
 MANUTENZIONE : NON

General Specification: JED-334-0		Copyright WABCO®		WABCO	
Further Technical Data:		Date	Signature		
Doc. Code:	Sheet: To	2009-04-16	Sonntag	LEVER HEBEL LEVIER LEVA	
General Tolerances JED-261		Checked		Date of first issue: 1993-02-02	
Range of Nominal Dimensions (± mm)		2009-04-16		Doc. Code Language Sheet	
Class 1)	< 50 > 50 > 180 > 180 > 400 > 400	Couppee		005 ML 1 / 1	
Fine	0.5 1.0 1.5 2.0	Esprit		Material No.	
Medium	1.0 2.0 3.0 4.0	Couppee		441 050 718 2	
Coarse	2.0 3.5 5.0 6.5	Coupee		ECN-No. Revision Techn. Resp. Replacement for	
Tapped Holes acc.		A 2	CCD	117313	2 x C
1) Tolerance Class Applied Crossmarked				6660	

Non è permesso copiare o terzi o riprodurre questo documento, né utilizzare il contenuto e renderlo comunque noto a terzi senza autorizzazione esplicita. Tutti i diritti sono riservati.

Toute réimpression ou reproduction de ce document, toute utilisation ou communication de son contenu sans autorisation, sans autorisation expresse, est formellement interdite. Tous droits réservés.

Copying of this document and giving it to others and the use of communications of the contents thereof, are prohibited without a prior written authorization. All rights reserved.

Nachdruck, Vervielfältigung und Verbreitung, auch auszugsweise, ist ohne schriftliche Genehmigung der WABCO AG.