

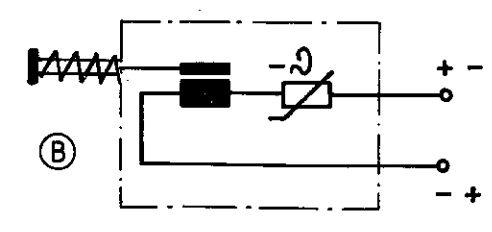
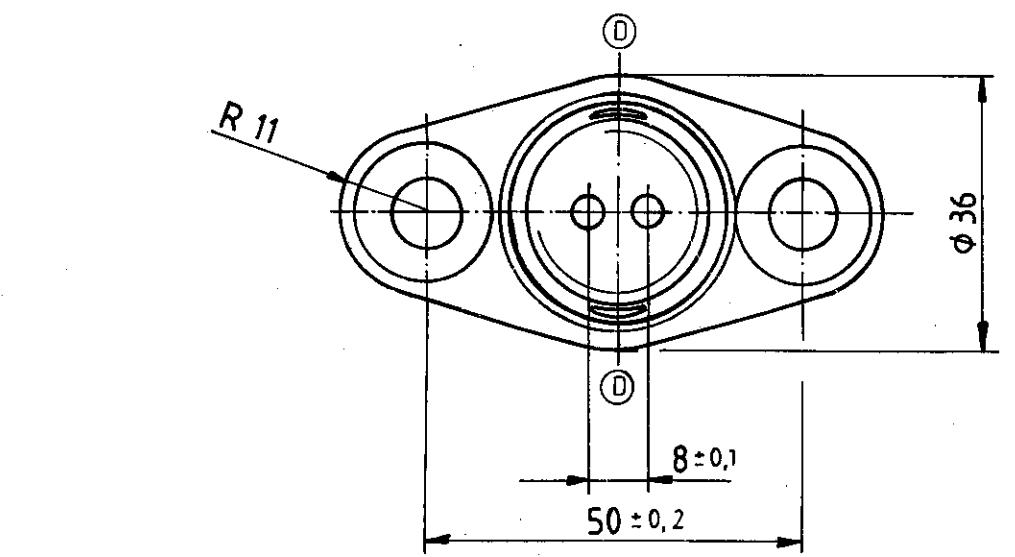
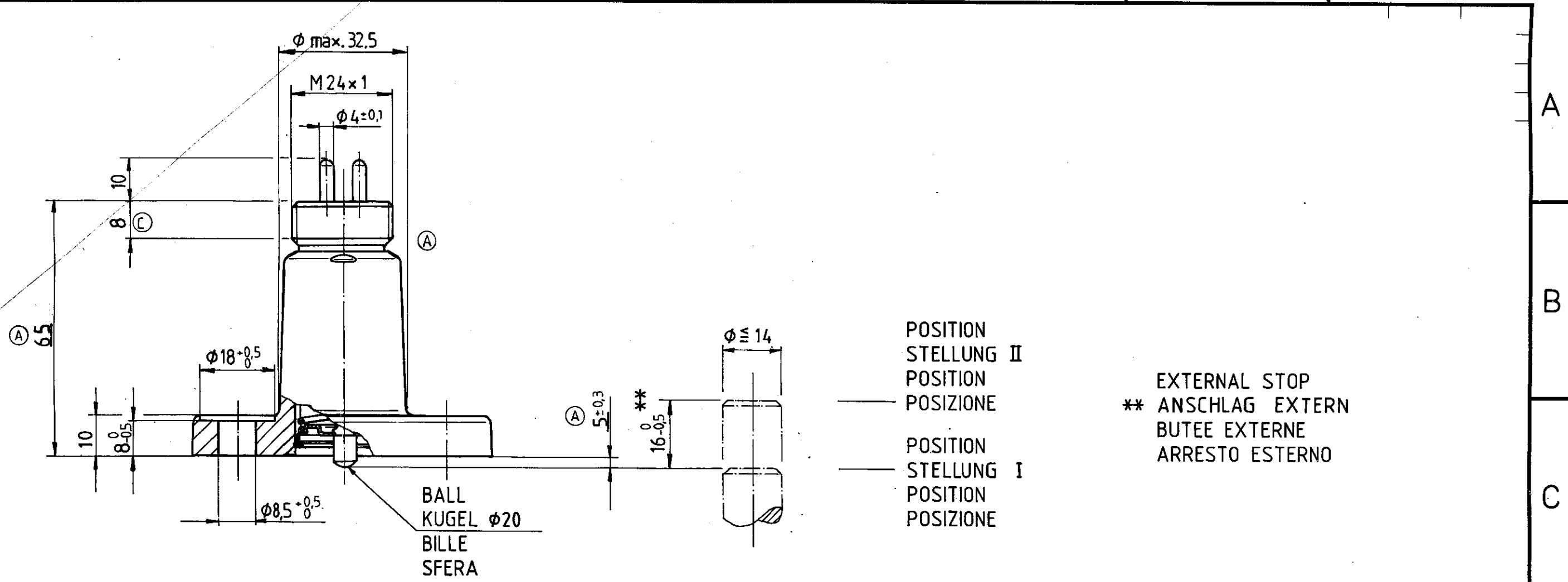
Non è permesso consegnare a terzi o riprodurre questo documento, né utilizzarne il contenuto o renderlo comunque noto a terzi senza autorizzazione esplicita. Ogni infrazione costituirà un evidente abuso e comporterà il risarcimento dei danni subiti. E' fatta riserva di tutti i diritti derivanti da brevetti o modelli.

Copying of this document, and giving it to others and the use or communication of the contents thereof, are forbidden without express authority. Contravention of this restriction will constitute an evident abuse and result in a liability to the payment of damages. All rights are reserved in the event of the grant of a patent or the registration of an utility model or design.

Toute communication ou reproduction de ce document, toute exploitation ou communication de son contenu sont interdites, sauf autorisation expresse. Tout manquement à cette règle et expose son auteur au versement de dommages et intérêts. Tous droits réservés, notamment en matière de brevets et de modèles.

Weitergabe sowie Vervielfältigung dieser Unterlage, Verwertung und nicht gestattet, soweit nicht ausdrücklich zugestanden. Zuwiderhandlungen ziehen Mißbrauch dar und verpflichten zu Schadensersatz. Alle Rechte für den Fall der Patenterteilung oder Gebrauchsmuster-Eintragung vorbehalten.

1 2 3 4 5 6 7 8



POSITION
STELLUNG II
POSITION
POSIZIONE

POSITION
STELLUNG I
POSITION
POSIZIONE

EXTERNAL STOP
** ANSCHLAG EXTERN
BUTEE EXTERNE
ARRESTO ESTERNO

FURTHER TECHNICAL DATA SEE				
IDENTIFICATION No.: 441 100 000 0				
CODE FOR DOCUMENT: 605 SHEET: 1/2 TO 2/2				
GENERAL TOLERANCES				
CLASS	RANGE OF NOMINAL DIMENSIONS (± mm)			
	1) < 50	> 50 < 180	> 180 < 400	> 400
I	0,5	1	1,5	2
II	X 1	2	3	4
III	2	3,5	5	6,5
TAPPED HOLES ACC. ISO 4039				
1) TOLERANCE CLASS APPLIED CROSSMARKED				

L			
K			
J			
H			
G			
F			
048904	1 x E	91-08-19	
046241	2 x D	91-01-15	
036928	2 x C	88-01-18	
32949	3 B	85-11-06	
5 x A		85 04 23	
DCN-No.	REV.	DATE	

COPYRIGHT BY WABCO		WABCO	
DATE	SIGNATURE	DISTANCE SENSOR (A)	
84 - 11 - 05	KLUECK	WEGSENSOR (A)	
84 - 11 - 05	<i>[Signature]</i>	DÉTÉCTEUR DE DISTANCE (B)	
85-11-08	<i>[Signature]</i>	SENSORE DI POSIZIONE (B)	
MASS	SCALE	IDENTIFICATION	
0,2 kg	1:1	441 100 000 0	
SIZE	T.R.I.	CODE FOR DOCUMENT	SHEET
A 3	141	605	1/2
CODE FOR PRODUCT-GROUP		CODE FOR SHAPE	REPLACEMENT FOR
			884 006 117 0