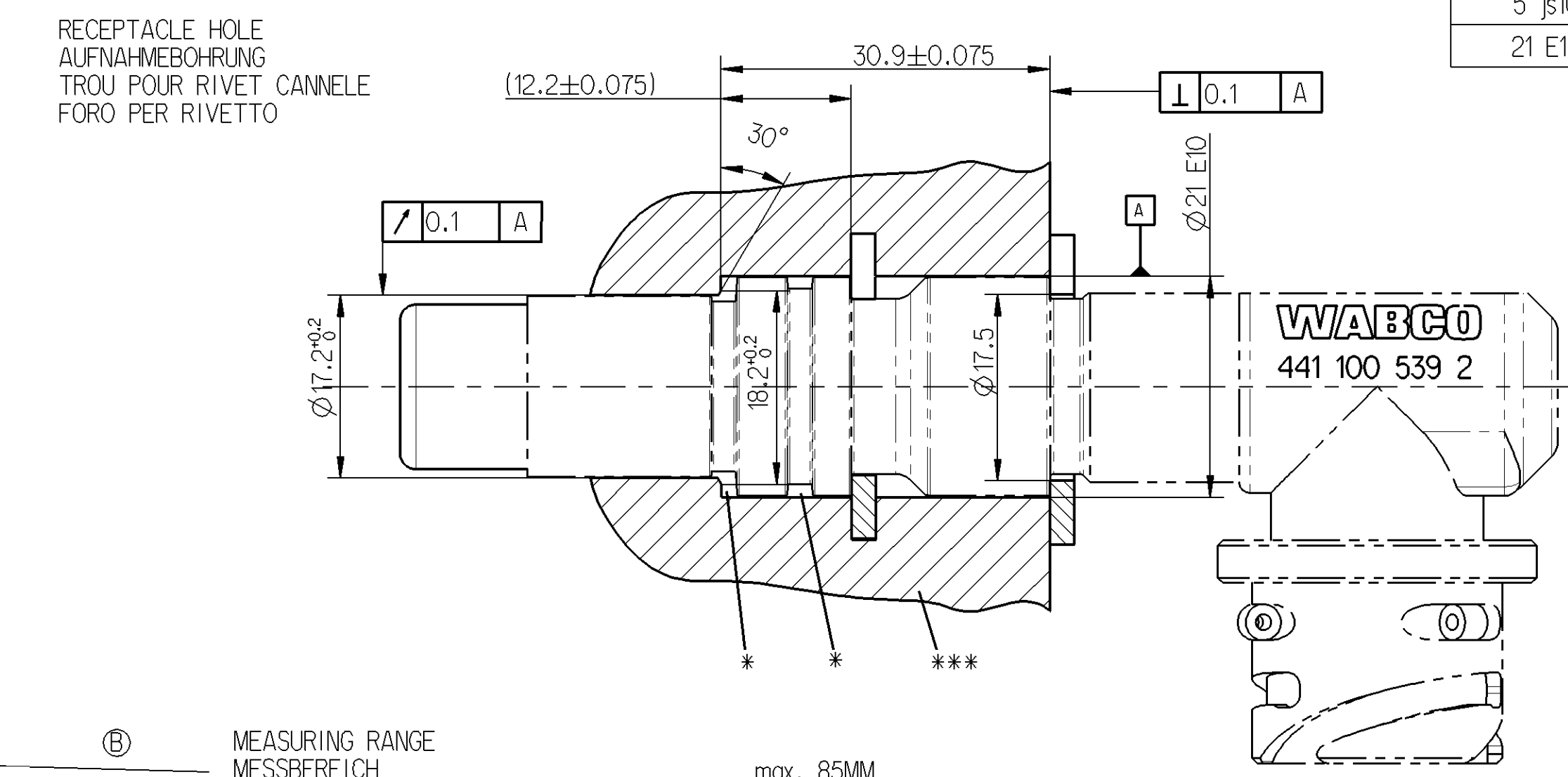
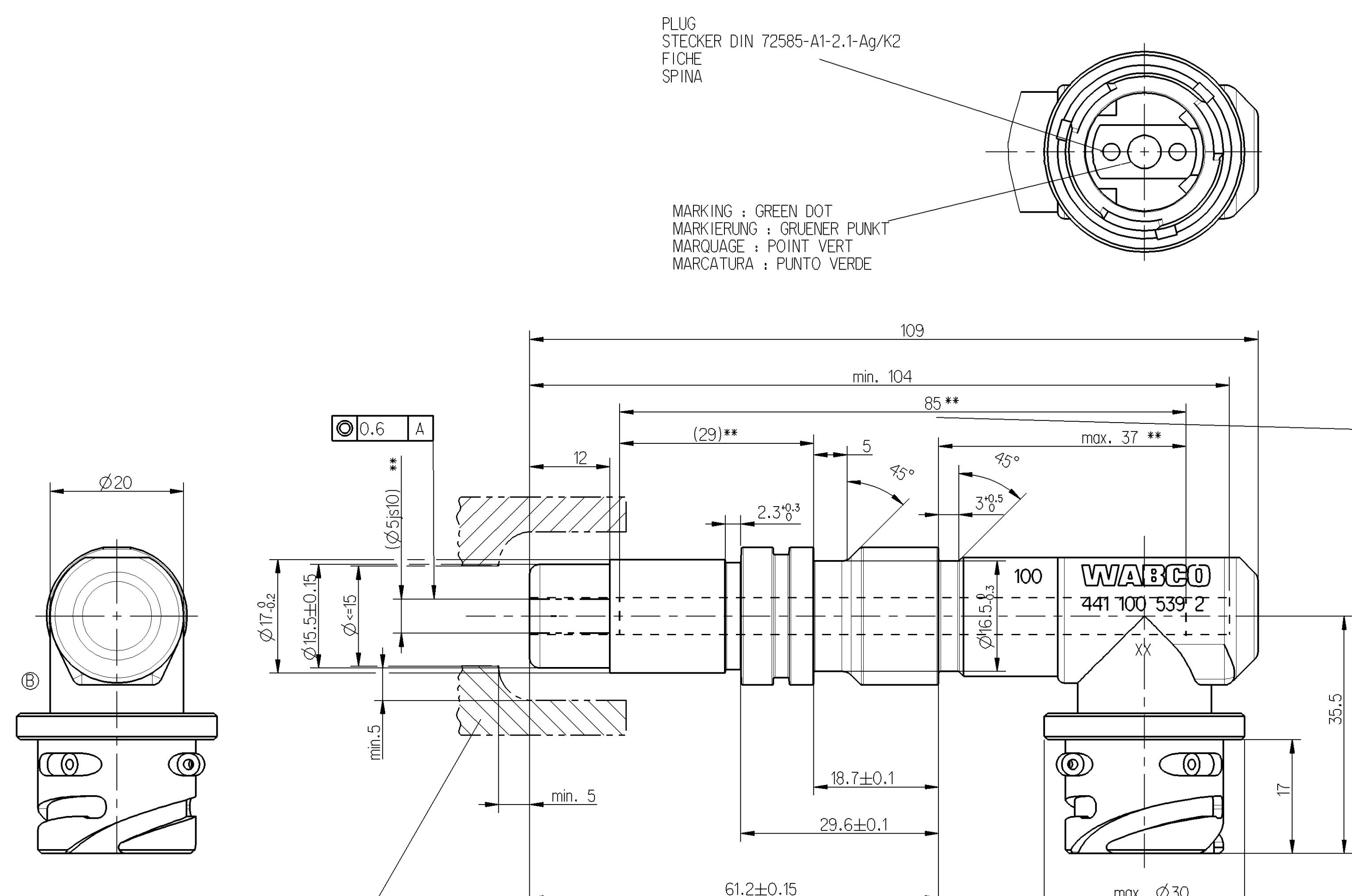


5 js10	±0.024
21 E10	+0.04 -0.040



MEASURING RANGE
MESSBEREICH
ETENDUE DE MESURE SPECIFIEE
CAMPO DI MISURA
max. 85MM

PRINCIPLE OF MEASUREMENT:
MESSPRINZIP:
PRINCIPE DE MESURAGE:
PRINCIPIO DI MISURA:
INDUCTIVE
INDUKTIV
INDUCTIVE
INDUCTIVO

SUPPLY VOLTAGE:
SPEISESPANNUNG:
TENSION D'ALIMENTATION:
TENSIONE DI ALIMENTAZIONE:
PULSE
IMPULS
IMPULSION
IMPULSO
8...16 DC

CURRENT CONSUMPTION:
STROMAUFNAHME:
CONSUMATION DE COURANT:
ASSORBIMENTO DI CORRENTE:
max. 90 mA

WORKING TEMPERATURE RANGE
BETRIEBSTEMPERATURBEREICH
TEMPERATURES DE FONCTIONNEMENT
TEMPERATURE DI SERVICE
-40 °C ... +140 °C

HEAT RESISTANCE
WAERMEBESTAENDIGKEIT
RESISTANCE THERMIQUE
RESISTENZA AL CALORE
160 °C MAX. 1H

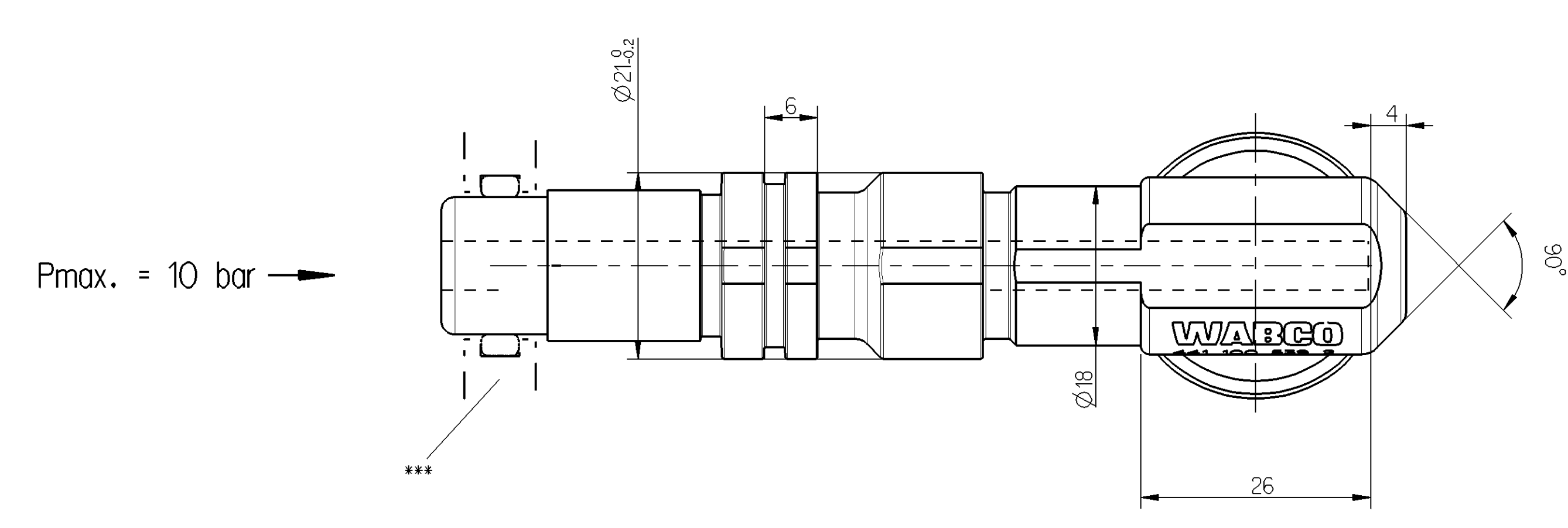
DISTANCE SENSOR MODULE WITHOUT COMPENSATION OF TEMPERATURE
WEGSENSOR-MODUL OHNE TEMPERATURAUSGLEICH
MODULE DE DETECTEUR DE DISTANCE SANS COMPENSATION DE TEMPERATURE
MODULO DI SENSORE DI POSIZIONE SENZA COMPENSAZIONE DI TEMPERATURE

PRESSURE TIGHT UP TO 10 BAR AIR PRESSURE
DRUCKDICHT BIS 10 BAR DRUCKLUFT
ETANCHE A 10 BAR PRESSION D'AIR
TENUTA ALLA PRESSIONE (ARIA) DI 10 BAR

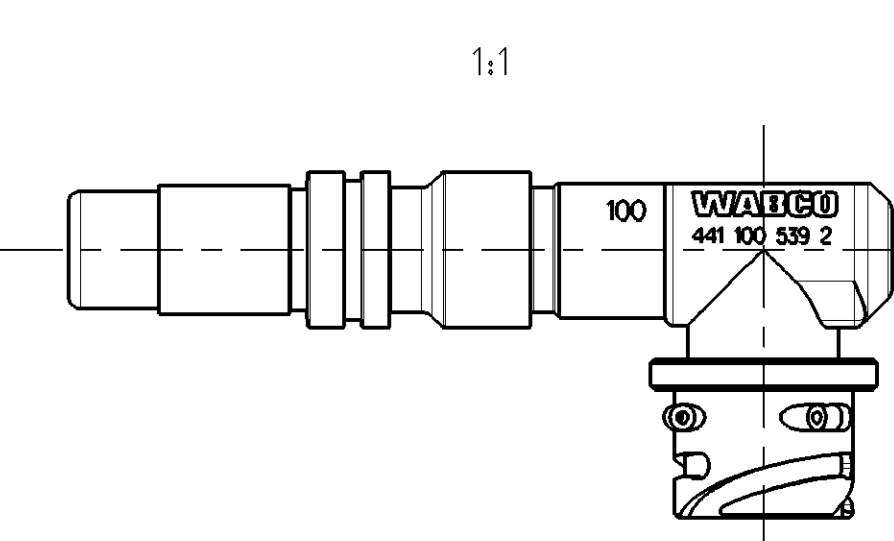
DISTANCE SENSOR MODULES CAN ONLY BE OPERATED IN CONNECTION WITH AN APPROPRIATE ADAPTION CIRCUIT
WEGSENSOR KANN NUR IN VERBINDUNG MIT EINER GEEIGNETEN ANPASSERSCHALTUNG BETRIEBEN WERDEN
MODULE DE DETECTEUR DE DISTANCE NE PEUT ETRE OPERE QU'EN CONNEXION AVEC UN CIRCUIT D'ADAPTATION APPROPRIE
MODULO DI SENSORE DI POSIZIONE NE PUO' FUNZIONARE SOLO IN ABBINAMENTO CON UN CIRCUITO DI ADATTAMENTO APPROPRIATO

PRECISION AFTER CALIBRATION
GENAUIGKEIT NACH KALIBRIERUNG
PRECISION
PRECISIONE
± 5% FULL SCALE

FOR MAGNETIZABLE PARTS ONLY
NUR FUER MAGNETISIERBARE TEILE



- * GROOVE FOR O-RING
NUT FUER O-RING
GORGE POUR JOINT TORIQUE
GOLA PER ANELLO O-RING
17.17 x 1.78
- ** ARMATURE
ANKER
INDUIT
INDOTTO
ANNEALED
GEGLUHT
RECUIT(E)
RICOTTO
- *** NOT MAGNETIZABLE
NICHT MAGNETISIERBAR
NON MAGNETIZABLE
NON MAGNETIZZATO



This communication or reproduction of this document, in whole or in part, is prohibited without the written consent of WABCO. Any unauthorized use, reproduction, or distribution of this document is strictly prohibited. WABCO reserves all rights.

General Specification: JED-334-D		Copyright WABCO®		WABCO	
Further Technical Data:		Date	Signature	DISTANCE-SENSOR-MODULE	
Doc. Code:	Sheet: To:	2013-02-27	Blester	WECSSENSOR-MODUL	
General Tolerances JED-261		Checked	Gruenderker	MODULE DE DETECTEUR DE DISTANCE	
Range of Nominal Dimensions (± mm)		Expert		MODULO DI SENSORE DI POSIZIONE	
Class	1) ≤ 50	> 50	> 180	> 400	Material No.
Fine	0.5	1.0	1.5	2.0	441 100 539 2
Medium	1.0	2.0	3.0	4.0	Date of first issue: 2006-03-03
Coarse	2.0	3.5	5.0	6.5	Doc.Code Language Sheet
Tapped Holes acc. -/-		Klueck		005 ML 1/1	
1) Tolerance Class Applied Crossmarked		Mess	Scale	Material No.	
		Size	2:1 (1:1)	Date of first issue: 2006-03-03	
		Size	Pro/E	Doc.Code Language Sheet	
		ECN No.	160647	005 ML 1/1	
		Revision	2x B	Replacement for	
		Techn. Resp.	6410_EM		
		100mm			