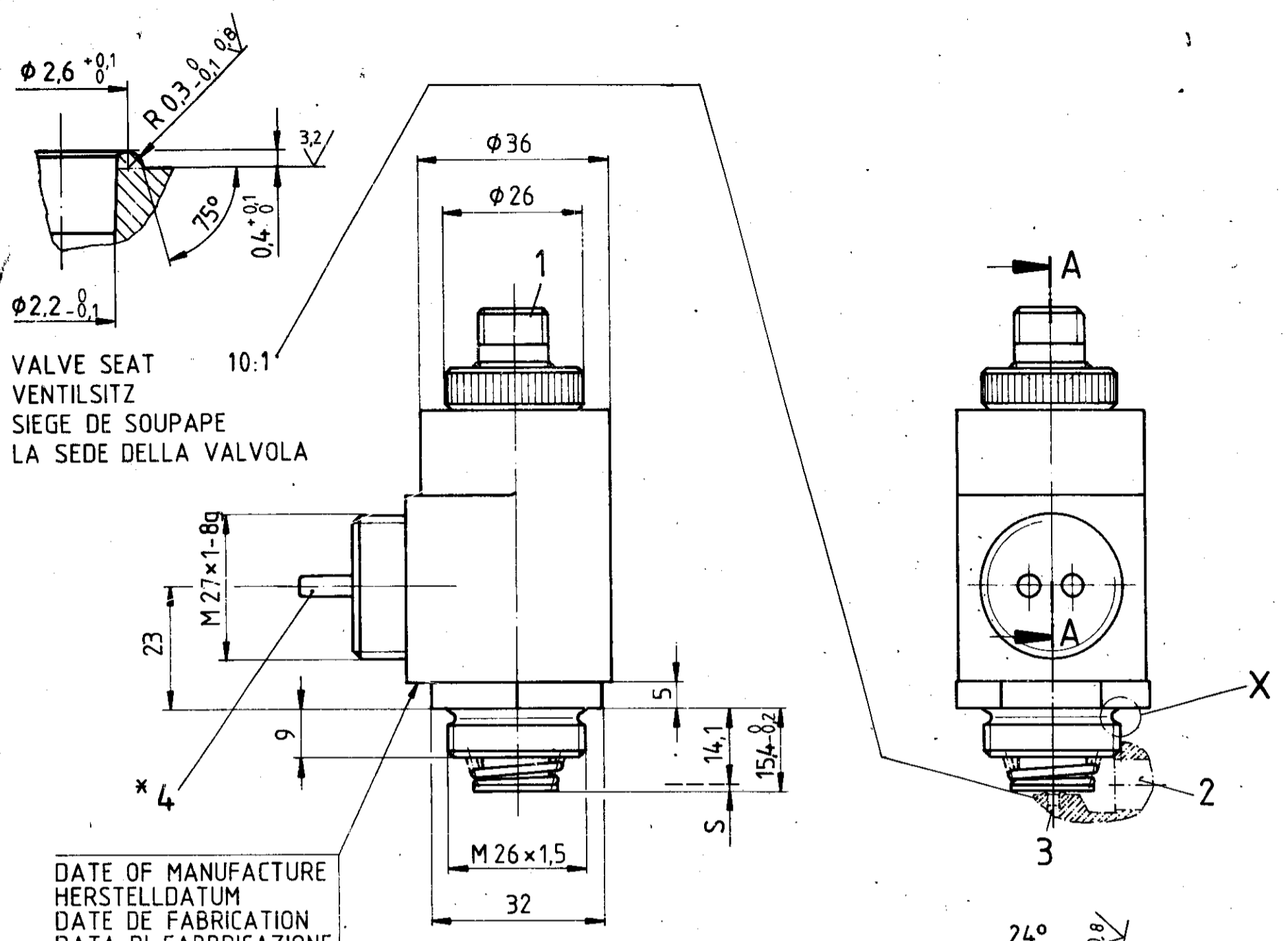


THE VALVE CORRESPONDS TO THE REGULATIONS FOR ELECTROMAGNETIC DEVICES ACCORDING TO VDE 0580
 DAS GERAET ENTSPRICHT DEN BESTIMMUNGEN FUER ELEKTROMAGNETISCHE GERAETE NACH VDE 0580
 LA VALVE CORRESPOND AUX CONDITIONS POUR DES APPAREILS ELEKTROMAGNETIQUES SUIVANT VDE 0580
 LA VALVOLA CORRISPONDE ALLE CONDIZIONI PER APPARECCHI ELETTROMAGNETICHI SECONDO VDE 0580



VALVE SEAT
 VENTILSITZ
 SIEGE DE SOUPAPE
 LA SEDE DELLA VALVOLA

DATE OF MANUFACTURE
 HERSTELLDATUM
 DATE DE FABRICATION
 DATA DI FABBRICAZIONE

DEVICE NUMBER
 GERAETE NR.
 NUMERO D'APPAREIL
 NUMERO CODICE DELL'APPARECCHIO

TECHNICAL DATE
 TECHNISCHE DATEN
 DONNEES TECHNIQUES
 DATI TECNICHI

TRADE MARK
 FIRMENZEICHEN - 14-JED-369
 MARQUE DE FABRIQUE
 MARCHIO DI FABBRICA

* MATERIAL : Cu Zn 38 Pb 1,5Rm = 42
 WERKSTOFF : Cu Zn 38 Pb 1,5F 42
 MATIERE : Cu Zn 38 Pb 1,5Rm = 42
 MATERIALE : Cu Zn 38 Pb 1,5Rm = 42

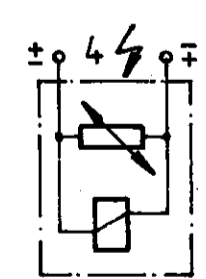
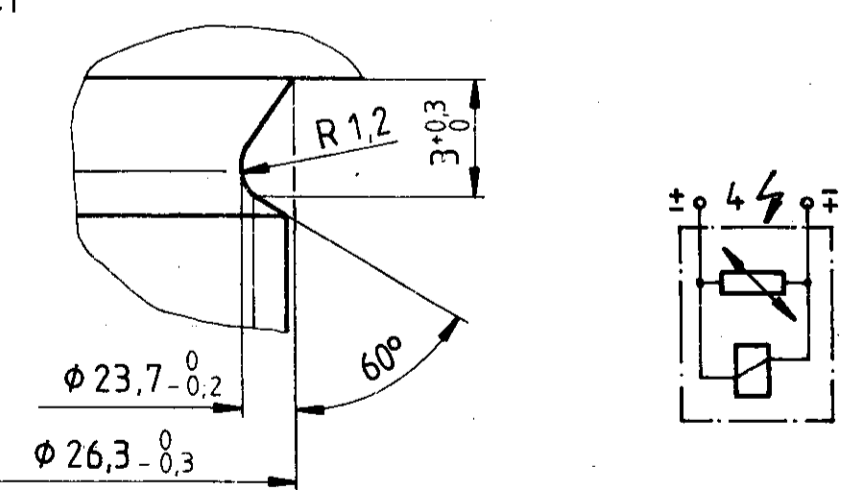
SURFACE PROTECTION SILVER PLATED, THICKNESS = 1 µm
 OBERFLAECHENSCHUTZ GAL AG 1
 PROTECTION DE SURFACE ARGENTURE ELECTRIQUE, EPAISSEUR = 1 µm
 PROTEZIONE SUPERFICI, ARGENTURA ELETTRICA, SPESSORE = 1 µm

MEDIUM : AIR, LUFT, AIR, FLUIDE, FLUIDO
 VOLTAGE : 24^{+4,8}_{-2,4} V
 TYPE OF CURRENT : DIRECT CURRENT, GLEICHSTROM, COURANT CONTINU, CORRENTE CONTINUA
 SERVICE CONDITION : CONTINUOUS SERVICE, DAUERBETRIEB, SERVICE CONTINU, SERVIZIO CONTINUOS
 NOMINAL CURRENT : 430 mA
 TYPE OF PROTECTION : IP 30 (IP 68 ***)
 PROTECTION CLASS : III
 3 EXHAUST, ENTLUEFTUNG, ECHAPPEMENT, SCARICO
 1 ENERGY INLET, ENERGIEZUFLOSS, AFLUENCE D' ENERGIE, AFLUENZA DI ENERGIA
 4 ELECTRICAL PILOT CONNECTION, ELEKTRISCHER STEUERANSCHLUSS, CONNECTION DU PILOTAGE ELECTRIQUE, ATTACCO DI COMANDO ELETTRICO
 2 ENERGY SUPPLY, ENERGIEABFLUSS, UTILISATION D' ENERGIE, UTILIZZO D'ENERGIA

VOLTAGE PEAKS ON BREAKING : <11201V
 ABSCHALTSPANNUNGSSPITZEN
 VOLTAGE DE POINTE ALLA RUPTURE
 VOLTAGGIO DELLE PUNTE ALLA ROTTURA
 NOMINAL DIAMETER : SUPPLY 2,2 mm, EXHAUST 2,2 mm
 NENNWEITE : BELUEFTUNG 2,2 mm, ENTLUEFTUNG 2,2 mm
 DIAMETRE NOMINALE : ALIMENTATION 2,2 mm, ECHAPPEMENT 2,2 mm
 DIAMETRO NOMINALE : ALIMENTAZIONE 2,2 mm, SCARICO 2,2 mm
 WORKING PRESSURE : P_e ≤ 10 bar
 BETRIEBSDRUCK
 PRESSION D'UTILISATION
 PRESSION DI ESERCIZIO
 OPERABLE : -40 ... 100° C
 FUNKTIONSFAEHIG
 CAPABLE DE FONCTIONNER
 CAPACE DI FUNZIONAL
 SOCKET : 894 600 451 2
 GERAETESTECKDOSE
 PRISE DE COURANT
 PRESA DI CORRENTE
 POSITION OF INSTALLATION : BELIEBIG, AU CHOIX, A PIACERE
 EINBAULAGE
 POSITION D'INSTALLATION
 POSIZIONE DI MONTAGGIO

WITH SPECIAL PROTECTIVE MEASURES FOR PORT 3
 BEI BESONDEREN SCHUTZMASSNAHMEN FUER ANSCHLUSS 3
 AVEC DES MESURES DE PROTECTION SPECIAUX POUR L' ORIFICE 3
 CON DELLE MISURE PREVENTIV SPECIALE PER ORIFIZIO 3

X
 5:1



FURTHER TECHNICAL DATA SEE		COPYRIGHT BY WABCO		WABCO	
IDENTIFICATION No.		DATE	SIGNATURE	SOLENOID	
CODE FOR DOCUMENT 605 SHEET 10		85-05-29	<i>Rain</i>	VENTILMAGNET	
GENERAL TOLERANCES		85-05-31	<i>Bl. Perli</i>	AIMANT	
RANGE OF NOMINAL DIMENSIONS (± mm)		85-06-04	<i>Antu</i>	SOLENOIDE	
CLASS		MASS	SCALE	IDENTIFICATION	
II	0.5	≈0.37	1:1	442 207 908 0	CODE FOR DOCUMENT 605 SHEET 1/1
I	X		(2:1)		
III	2		(5:1, 10:1)		
TAPPED HOLES ACC ISO 4039		27364 1 (A)	85-05-29	CODE FOR FUNCTION 580	CODE FOR SHAPE
1) TOLERANCE CLASS APPLIED CROSSMARKED		CHANGE LETTER	DATE	REPLACEMENT FOR 442 207 908 0 OF (A) 84-10-03	

Non è permesso copiare o riprodurre questo documento né utilizzarlo in alcun modo senza autorizzazione esplicita. Ogni infrazione costituirà un evidente abuso e comporterà il risarcimento dei danni subiti. E' fatta riserva di tutti i diritti derivanti da brevetti o modelli.
 Copying of this document, and giving it to others and the use or communication of the contents thereof, are forbidden without express authority. Contravention of this restriction will constitute an evident abuse and result in a liability to the payment of damages. All rights are reserved in the event of the grant of a patent or the registration of an utility model or design.
 Weitergabe sowie Vervielfältigung dieses Urteils, die Verwertung und die Kommunikation des Inhalts sind ohne ausdrückliche Genehmigung des Verlegers nicht gestattet. Soweit nicht ausdrücklich zugestanden, sind alle Rechte für den Fall der Patentierung, des Gebrauchsmusters, der Erfindung oder der Erfindung vorbehalten.
 Toute réimpression ou utilisation non autorisée sans la permission écrite de la WABCO est formellement interdite. Toute infraction sera poursuivie conformément aux lois, décrets et règlements en vigueur.
 All rights reserved. No part of this document may be reproduced, stored in a retrieval system, or transmitted in any form or by any means, electronic, mechanical, photocopying, recording, or by any information storage and retrieval system, without the prior written permission of WABCO.