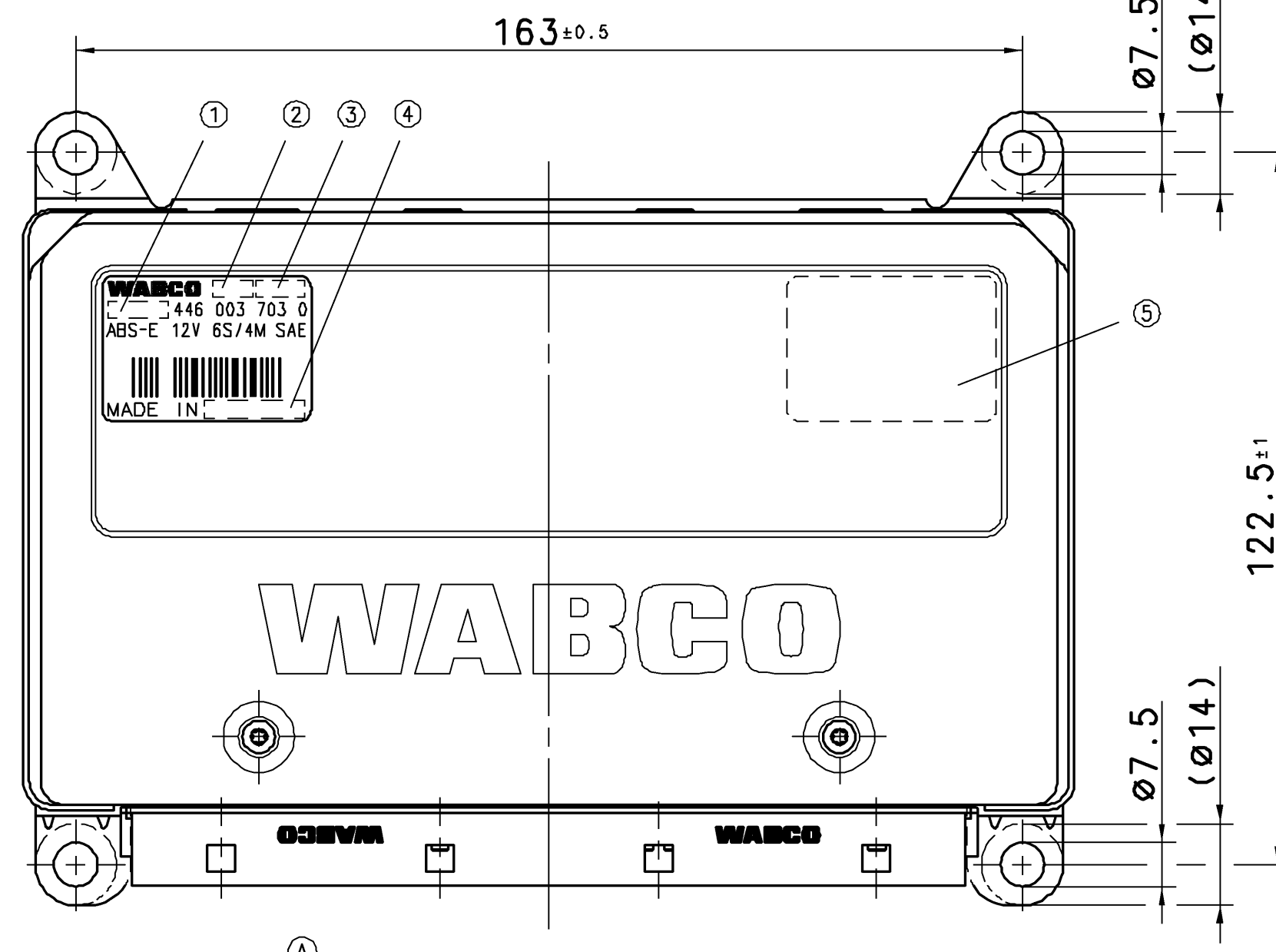


VOLTAGE: 12V ±25% DC  
 SPANNUNG: 12V ±25% DC  
 VOLTAGE: 12V ±25% DC  
 VOLTAGGIO: 12V ±25% DC

PROTECT TYPE: IP 30 (IEC 529)  
 SCHUTZART: IP 30 (IEC 529)  
 MODE DE PROTECTION: IP 30 (IEC 529)  
 MODO DI PROTEZIONE: IP 30 (IEC 529)

THERMAL RANGE OF APPLICATION: -40°...+75°C  
 THERM. ANWENDUNGSBEREICH: -40°...+75°C  
 GAMME D' APPLICATION THERMIQUE: -40°...+75°C  
 CAMPO DI APPLICAZIONE THERMICA: -40°...+75°C

STORING TEMPERATURE: -40°...+90°C  
 LAGERTEMPERATUR: -40°...+90°C  
 TEMPERATURE D' UTILISATION: -40°...+90°C  
 TEMPERATURA DI ESERCIZIO: -40°...+90°C



MALE MULTIPOINT CONNECTOR: SURFACE PROTECTION: TINNED  
 MESSERLEISTE: OBERFLAECHENSCHUTZ: VERZINNT  
 CONNECTEUR MALE MULTIBROCHE: PROTECTION DE SURFACE: ETAME  
 SPINE MULTIPA: PROTEZIONE SUPERFICIALE: STAGNATO

SERIAL NUMBER GREATER THAN: 0  
 FORTSCHRITZAHN GROSSER ALS: 0  
 NUMERO DE SERIE PLUS GRAND QUE: 0  
 NUMERO DI SERIE PIU GRANDE: 0

DATE OF MANUFACTURE: JED-226  
 HERSTELLDATUM: JED-226  
 DATE DE FABRICATION: JED-226  
 DATA DI FABBRICAZIONE: JED-226

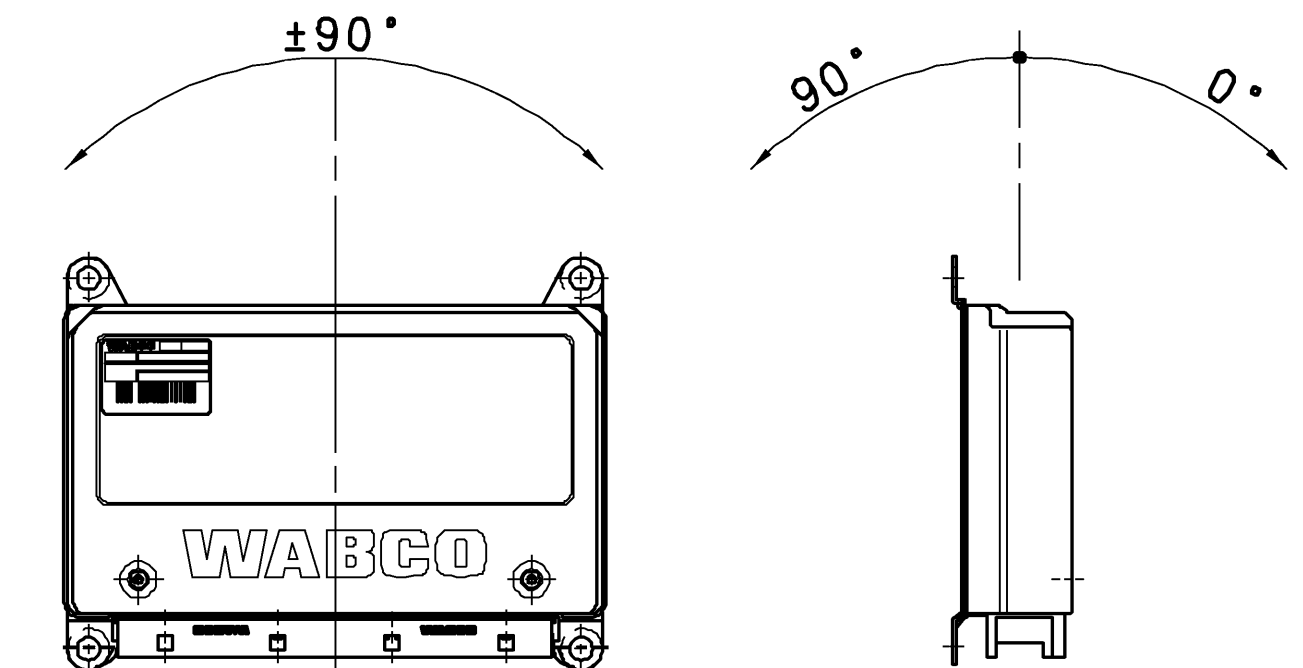
CUSTOMER LABEL: OPTIONAL  
 KUNDENAUFKLEBER: BELIEBIG  
 ETIQUETTE ADHESIVE DU CLIENT: A VOLONTE  
 ETICHETTA ADESIVA DEL CLIENTE: A SCELTA

PRODUCTION PLACE: JED-225  
 PRODUKTIONSSTAETTE: JED-225  
 LIEU DE FABRICATION: JED-225  
 LUOGO DI FABBRICAZIONE: JED-225

COUNTRY OF ORIGIN: JED-225  
 URSPRUNGSLAND: JED-225  
 PAYS D'ORIGINE: JED-225  
 PAESE D'ORIGINE: JED-225

FOR FURTHER TECHNICAL DATA SEE PRODUCT SPECIFICATION  
 WEITERE TECHNISCHE DATEN SIEHE PRODUKTSPEZIFIKATION  
 POUR INFORMATION COMPLEMENTAIRES VOIR LES SPECIFICATIONS DU PRODUIT  
 PER INFORMAZIONI ULTERIORI VEDI LA SPECIFICAZIONE DEL PRODOTTO

INSTALLATION POSITION:  
 EINBAULAGE:  
 POSITION D' INSTALLATION:  
 POSIZIONI DI MONTAGGIO:



GENERAL SPECIFICATION: JED-334		CADAM-DRAWING COPYRIGHT		<b>WABCO</b>	
FURTHER TECHNICAL DATA:		DATE: 00-08-23	SIGNATURE: PFENNIG	ELECTRONIC ABS-E UNIVERSAL	
DOC. CODE: SHEET: 10		DRAWN: 00-08-23 STERL./RISSE		ELECTRONIQUE 6S/4M 12V SAE	
GENERAL TOLERANCES		CHECKED: 00-08-23 STERL./RISSE		ELETTRONIC	
CLASS 1)	RANGE OF NOMINAL DIMENSIONS (± mm)	STANDARDIZATION:		PRODUCT IDENTIFICATION NO.	
	≤50 >50 &le180 >180 &le400 >400			446 003 703 0	
FINE	0,5 1,0 1,5 2,0			DOC. CODE	SHEET
MEDIUM	1,0 2,0 3,0 4,0			605	1/1
COARSE	2,0 3,5 5,0 6,5			REPLACEMENT FOR	
TAPPED HOLES ACC. ISO 4039 / JED-152		096811	3xA	05-06-23	
1) TOLERANCE CLASS APPLIED CROSSMARKED		DGN-NO.	REV.	DATE	

NON E' PERMESSO CONSERVARE A TERZI O RIPRODURRE QUESTO DOCUMENTO. NE UTILIZZARNE IL CONTENUTO O RENDERSI RESPONSABILI PER QUALSIASI DANNI O PERDITE. I DIRITTI DERIVANTI DA QUESTO DOCUMENTO SONO RISERVATI AL PROPRIETARIO. IL RISARCIMENTO DEI DANNI SUBITI E' FATTA RISERVA DI TUTTI I DIRITTI DERIVANTI DA BREVETTI O MODELLI.

COPIES OF THIS DOCUMENT ARE STRICTLY FOR INFORMATION AND USE OF DEPENDENTS ONLY. NO LIABILITY IS ASSUMED FOR DAMAGES OR INJURY TO PERSONS OR PROPERTY. ALL RIGHTS ARE RESERVED IN THE EVENT OF THE ABUSE AND RESULT IN A LIABILITY TO THE PAYMENT OF DAMAGES.

TOUTE REPRODUCTION OU REPRODUCTION DE CE DOCUMENT, TOUTE EXPLOITATION OU COMMUNICATION DE SON CONTENU, EN TOUT ETAT ET EN TOUTES MANIERES, A TOUS DROITS DE PROPRIETE INDUSTRIELLE RESERVES. NOTAMMENT EN MATIERE DE BREVETS ET DE MODELES.

WERTERBE SOWIE VERLEIENLICHUNG ODER UNTERLAGENVERMERTUNG UND MITTEILUNG IHRES INHALTS NICHT WISSRACH DAR UND VERPFLICHTEN ZU SCHADENSATZ. ALLE RECHTE FUR DEN FALL DER PATENTIERUNG ODER GEBRAUCHSMUSTER-EINTRAGUNG VORBEHALTEN.

1089/012/3/04-93  
 605.653