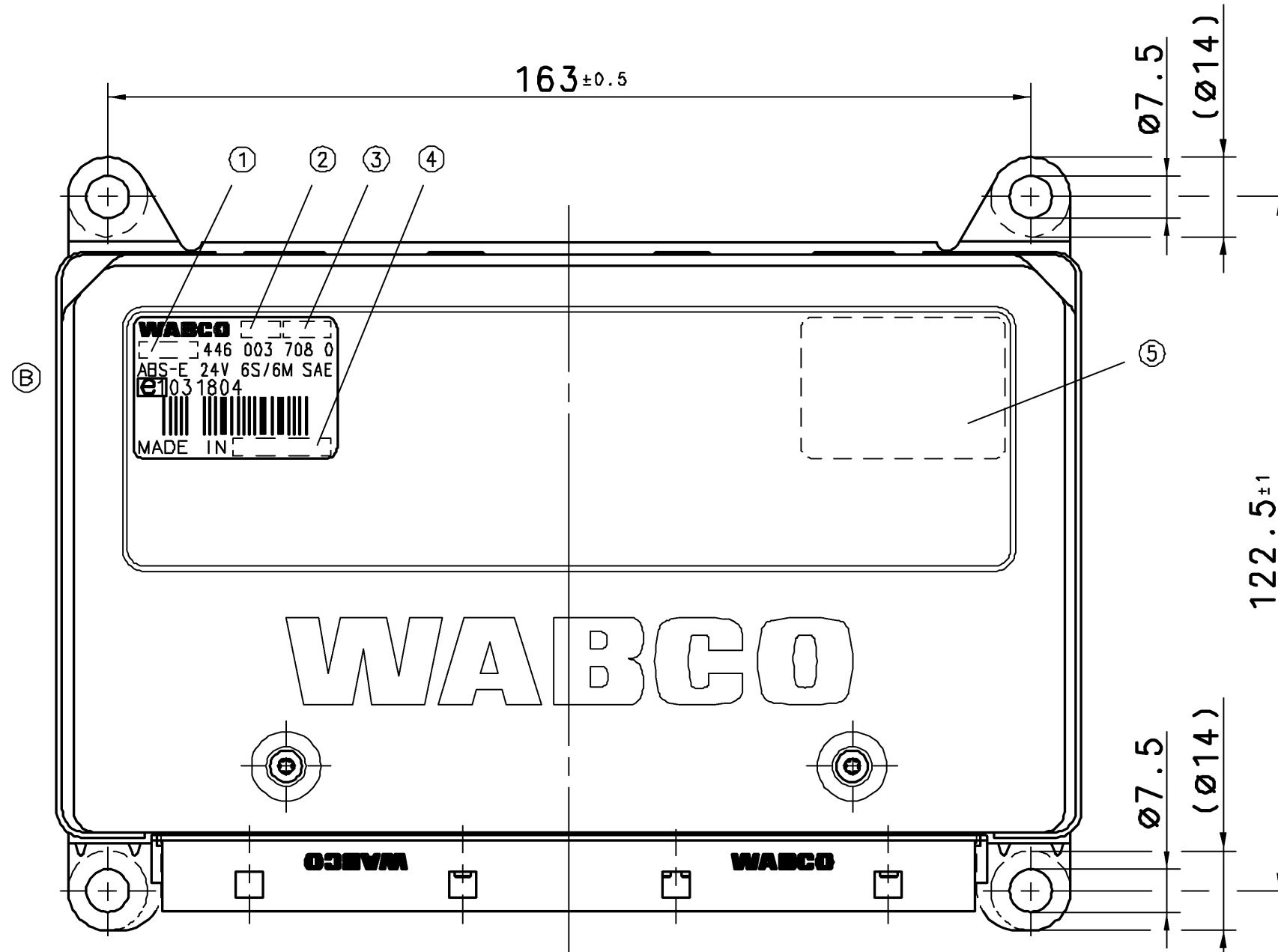


VOLTAGE: 24V $\pm 5\%$ DC
 SPANNUNG: 24V $\pm 5\%$ DC
 VOLTAGE: 24V $\pm 5\%$ DC
 VOLTAGGIO: 24V $\pm 5\%$ DC

PROTECT TYPE: IP 30 (IEC 529)
 SCHUTZART: IP 30 (IEC 529)
 MODE DE PROTECTION: IP 30 (IEC 529)
 MODO DI PROTEZIONE: IP 30 (IEC 529)

THERMAL RANGE OF APPLICATION: -40°C...+75°C
 THERM. ANWENDUNGSBEREICH: -40°C...+75°C
 GAMME D' APPLICATION THERMIQUE: -40°C...+75°C
 CAMPO DI APPLICAZIONE THERMICA: -40°C...+75°C

NON-OPERATING TEMPERATURE: -40°C...+90°C
 TEMPERATUR AUSSER BETRIEB: -40°C...+90°C
 TEMPERATURE HORS FONCTIONNEMENT: -40°C...+90°C
 TEMPERATURA FUORI ESERCIZIO: -40°C...+90°C



MALE MULTIPOINT CONNECTOR: SURFACE PROTECTION: TINNED
 MESSERLEISTE: OBERFLAECHENSCHUTZ: VERZINNT
 CONNECTEUR MALE MULTIBROCHE: PROTECTION DE SURFACE: ETAME
 SPINE MULTIPA: PROTEZIONE SUPERFICIALE: STAGNATO

SERIAL NUMBER GREATER THAN: 0
 FORTSCHRITZAHL GROESSER ALS: 0
 NUMERO DE SERIE PLUS GRAND QUE: 0
 NUMERO DI SERIE PIU GRANDE: 0

DATE OF MANUFACTURE: JED-226
 HERSTELLDATUM: JED-226
 DATE DE FABRICATION: JED-226
 DATA DI FABBRICAZIONE: JED-226

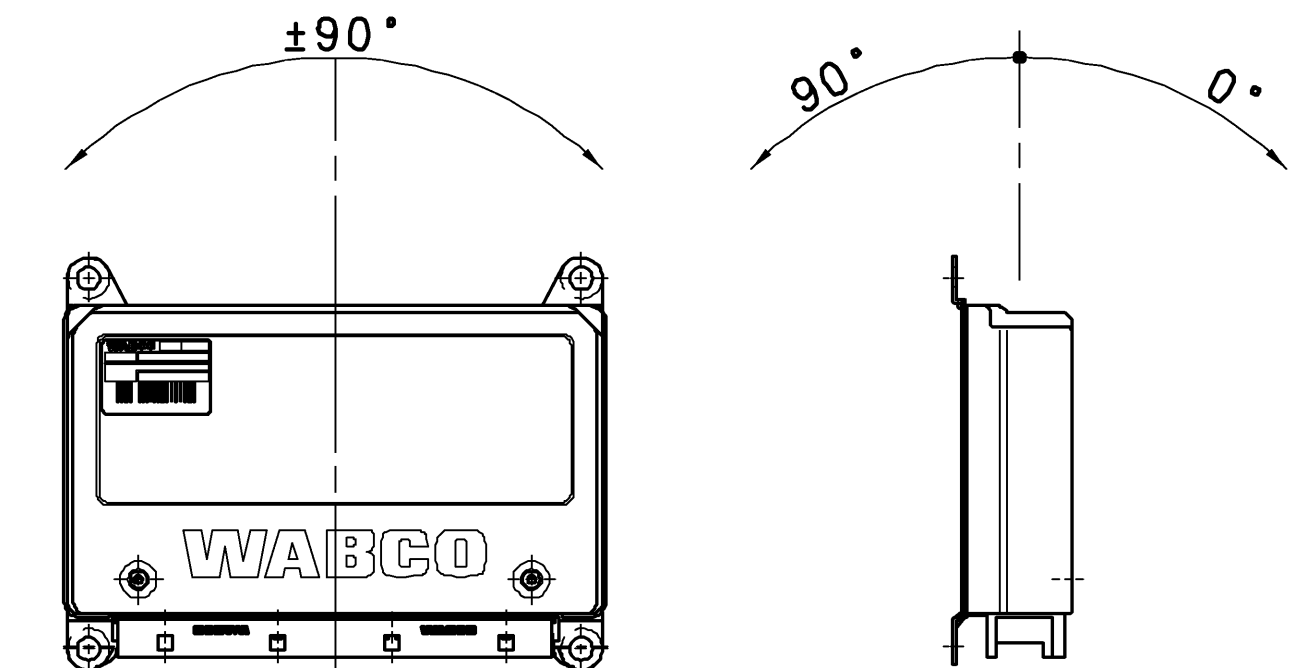
CUSTOMER LABEL: OPTIONAL
 KUNDENAUFKLEBER: BELIEBIG
 ETIQUETTE ADHESIVE DU CLIENT: A VOLONTE
 ETICHETTA ADESIVA DEL CLIENTE: A SCELTA

PRODUCTION PLACE: JED-225
 PRODUKTIONSSTAETTE: JED-225
 LIEU DE FABRICATION: JED-225
 LUOGO DI FABBRICAZIONE: JED-225

COUNTRY OF ORIGIN: JED-225
 URSPRUNGSLAND: JED-225
 PAYS D'ORIGINE: JED-225
 PAESE D'ORIGINE: JED-225

FOR FURTHER TECHNICAL DATA SEE PRODUCT SPECIFICATION
 WEITERE TECHNISCHE DATEN SIEHE PRODUKTSPEZIFIKATION
 POUR INFORMATION COMPLEMENTAIRES VOIR LES SPECIFICATIONS DU PRODUIT
 PER INFORMAZIONI ULTERIORI VEDI LA SPECIFICAZIONE DEL PRODOTTO

INSTALLATION POSITION:
 EINBAULAGE:
 POSITION D' INSTALLATION:
 POSIZIONI DI MONTAGGIO:



General Specification: JED-334-0		Copyright WABCO		WABCO	
Further Technical Data:		Date	Signature		
Doc. Code: Sheet: To		08-02-29 PFENNIG		ELECTRONIC ABS-E UNIVERSAL	
General Tolerances JED-261		08-02-29 STERLING		ELECTRONIC 6S/6M 24V	
Range of Nominal Dimensions (± mm)		Esperl		ELECTRONIC	
Class 1)	< 50	> 50 < 180	> 180 < 400	> 400	Material No.
Fine	0.5	1.0	1.5	2.0	446 003 708 0
Medium	1.0	2.0	3.0	4.0	005 ML 1/1
Coarse	2.0	3.5	5.0	6.5	ECN-No. 116258
Tapped Holes acc. 1) Tolerance Class Applied Crossmarked		Mass	Scale	Revision	Techn. Resp.
		0,6 KG	1:1	B	6300_E
		Size	CAD System	Replacement for	
		A 2	CCD		

Non è permesso copiare o ristampare questo documento, né utilizzarlo per scopi diversi da quelli per i quali è stato preparato, senza permesso scritto dalla WABCO. Toute réimpression ou utilisation non autorisée sans la permission écrite de la WABCO est formellement interdite. Die Nachdruck, Vervielfältigung und Verbreitung, auch auszugsweise, ist ohne schriftliche Genehmigung der WABCO. This document is the subject of copyright. No part of this document may be reproduced, stored in a retrieval system, or transmitted, in any form or by any means, electronic, mechanical, photocopying, recording, or otherwise, without the prior written permission of WABCO.