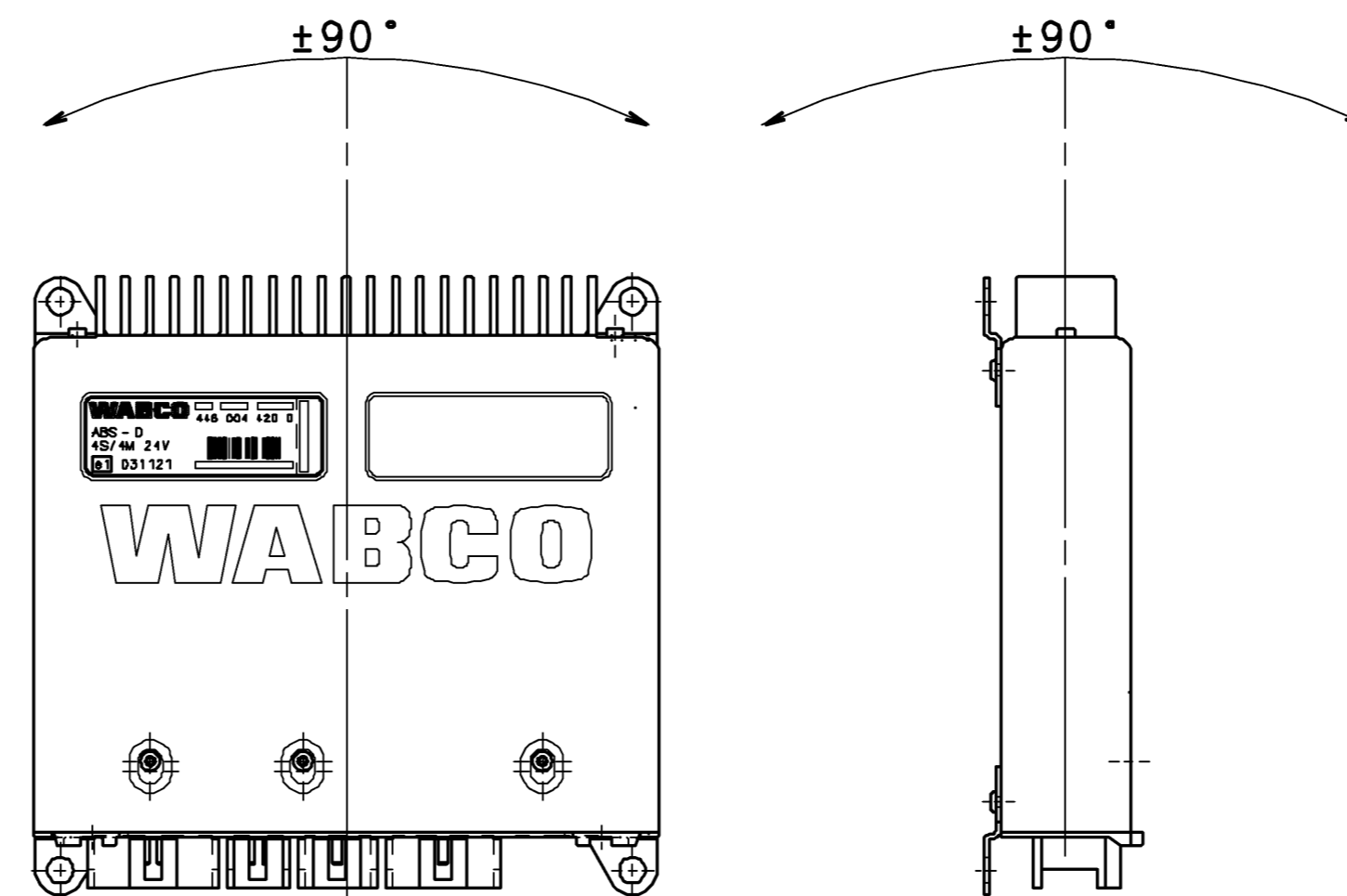


INSTALLATION POSITION :
 EINBAULAGE :
 POSITION D'INSTALLATION :
 POSIZIONI DI MONTAGGIO :



VOLTAGE :
 SPANNUNG : 24V±25% DC * * *
 VOLTAGE :
 VOLTAGGIO :

THERMAL RANGE OF APPLICATION :
 THERM. ANWENDUNGSBEREICH : -40°...+75°C
 GAMME D'APPLICATION THERMIQUE :
 CAMPO DI APPLICAZIONE TERMICA :

NON-OPERATING TEMPERATURE :
 TEMPERATUR AUSSER BETRIEB : -40°C...+90°C * * *
 TEMPERATURE HORS FONCTIONNEMENT :
 TEMPERATURA FUORI ESERCIZIO :

PROTECT TYPE :
 SCHUTZART : IP 30 (IEC 529)
 MODE DE PROTECTION :
 MODO DI PROTEZIONE :

MALE MULTIPOINT CONNECTOR: SURFACE PROTECTION : TINNED
 MESSERLEISTE: OBERFLAECHENSCHUTZ : VERZINNT
 CONNECTEUR MALE MULTIBROCHE: PROTECTION DE SURFACE: ETAME
 SPINE MULTIPA: PROTEZIONE SUPERFICIALE : STAGNATO

DATE OF MANUFACTURE :
 HERSTELLDATUM : JED-226
 DATE DE FABRICATION :
 DATA DI FABBRICAZIONE :

SERIAL NUMBER GREATER THAN :
 FORTSCHRITZZAHL GROESSER ALS : 7000
 NUMERO DE SERIE PLUS GRAND QUE :
 NUMERO DI SERIE PIU GRANDE DI :

FOR FURTHER TECHNICAL DATA SEE PRODUCT SPECIFICATION
 WEITERE TECHNISCHE DATEN SIEHE PRODUKTSPEZIFIKATION
 POUR INFORMATION COMPLEMENTAIRES VOIR LES SPECIFICATIONS DU PRODUIT
 PER INFORMAZIONI ULTERIORI VEDI LA SPECIFICAZIONE DEL PRODOTTO

General Specification: JED-334-0		Copyright WABCO		WABCO	
Further Technical Data:		Date:	Drawn:	ELECTRONIC ABS - D	
Doc. Code: Sheet: To		08-11-05 JPFENNIG		ELEKTRONIK 4S/4M 24V	
General Tolerances JED-261		Sheet: 08-11-05 GOERS		ELECTRONIQUE	
Range of Nominal Dimensions (± mm)		Eisen:		ELETRONNICA	
Class 1)	≤ 50 > 50 > 180	OHLENDORF		Material No.	
Fine	0.5 1.0 1.5 2.0			446 004 420 0	
Medium	1.0 2.0 3.0 4.0			005 ML 1/1	
Coarse	2.0 3.5 5.0 6.5			118567 C 6300_E	
Tapped Holes acc.		A 1 CCD		100mm	
1) Tolerance Class Applied Crossmarked					

This document is a reproduction of the original and is intended for use as a reference only. It is not to be used for manufacturing or repair purposes. The user is responsible for the correct use of this document. The user is also responsible for the correct use of the product. The user is also responsible for the correct use of the product. The user is also responsible for the correct use of the product.