

VOLTAGE:
SPANNUNG: 24V ± 25% DC

THERMAL RANGE OF APPLICATION:
THERM. ANWENDUNGSBEREICH: -40°C...+75°C

NON-OPERATING TEMPERATURE:
TEMPERATUR AUSSER BETRIEB: -40°C...+90°C

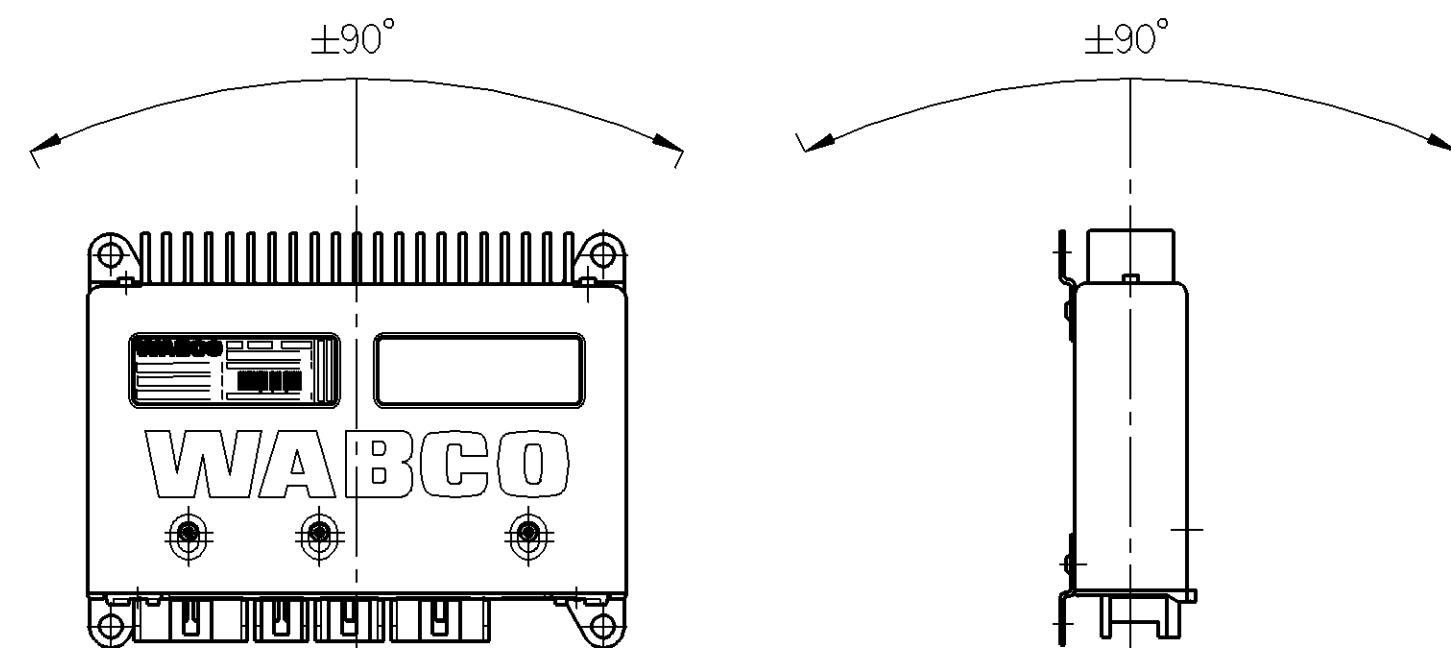
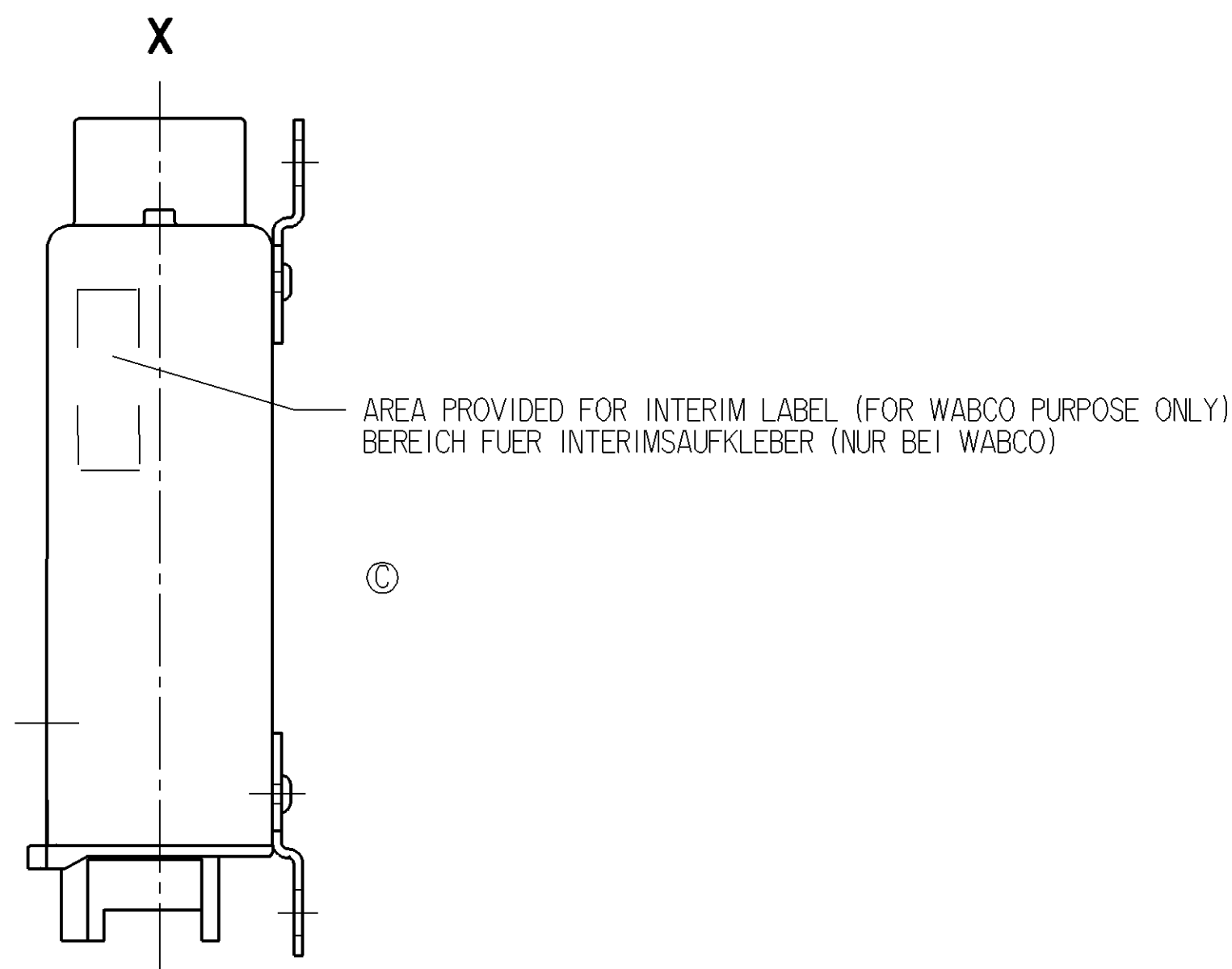
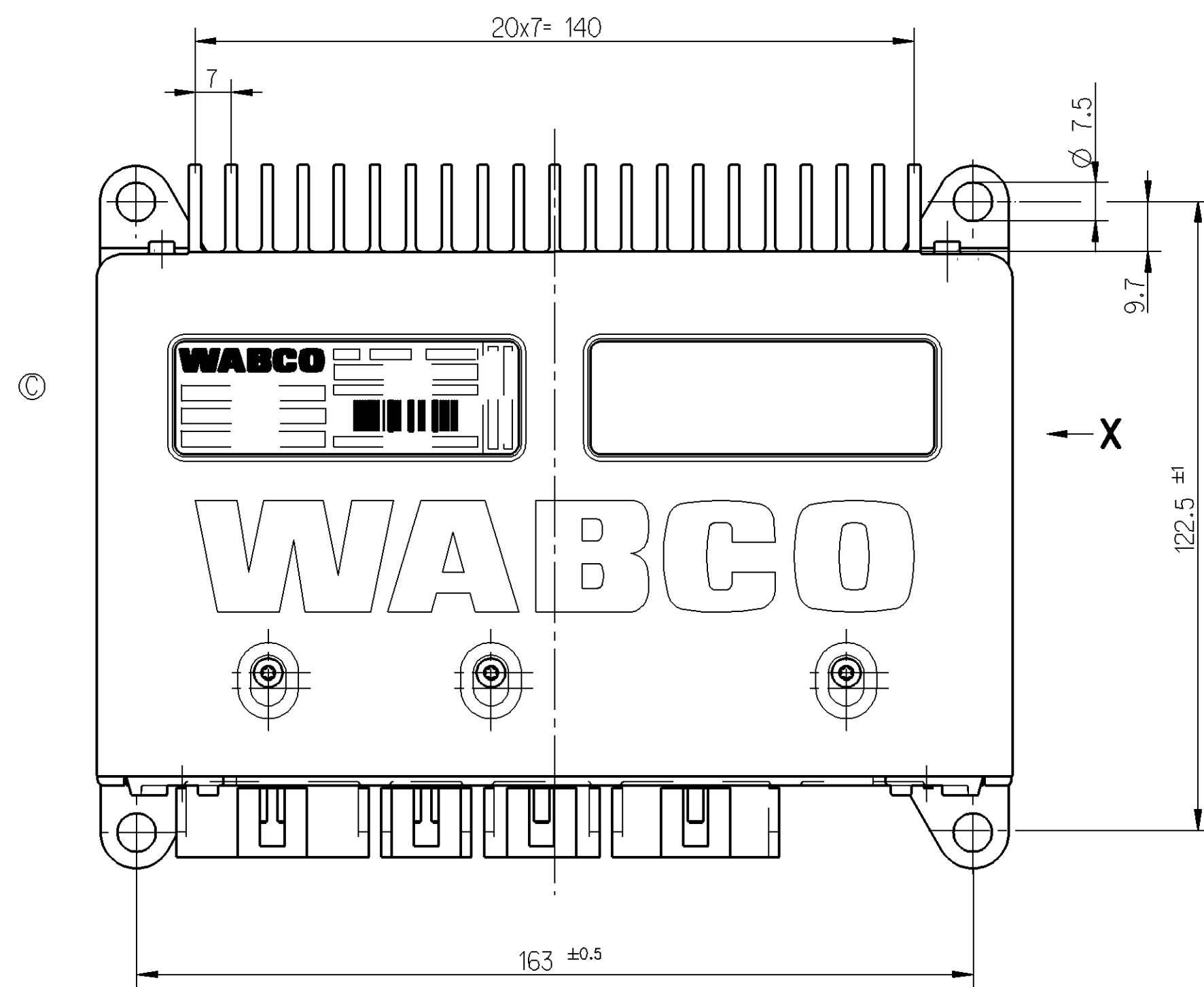
PROTECT TYPE:
SCHUTZART: IP 40 (IEC 529)

MALE MULTIPOINT CONNECTOR; SURFACE PROTECTION: TINNED
MESSERLEISTE; OBERFLAECHENSCHUTZ: VERZINNT

SERIAL NUMBER GREATER THAN:
FORTSCHRITZZAHL GROESSER ALS: 30000

FOR FURTHER TECHNICAL DATA SEE PRODUCT SPECIFICATION
WEITERE TECHNISCHE DATEN SIEHE PRODUKTSPEZIFIKATION

- WABCO LABEL / CUSTOMER LABEL:
- CONTENTS SEE DOCUMENT "LABELING INFORMATION" (446 004 427 0 DOC. 922)
- WABCO-KENNZEICHNUNG / KUNDEN- KENNZEICHNUNG;
- INHALT SIEHE DOKUMENT "LABELING INFORMATION" (446 004 427 0 DOC. 922)



INSTALLATION POSITION:
EINBAULAGE:

General Specifications: JED-334-0		Copyright WABCO®		WABCO	
Further Technical Data:		Date	Drawn	Signature	
Doc. Code:	Sheet:	To:	2013-05-30	Pfennig	ECU
General Tolerances JED-261		Checked	2013-06-24	Ohiendorf	ECU ABS-D 4S/4M 24V
Range of Nominal Dimensions (± mm)		Expert			
Class	1)	≤ 50	> 50 ≤ 180	> 180 ≤ 400	> 400
Fine		0.5	1.0	1.5	2.0
Medium	X	1.0	2.0	3.0	4.0
Coarse		2.0	3.5	5.0	6.5
Tapped Holes acc.:		±3°			
1) Tolerance Class Applied Crossmarked					
Material No.	Scale	Material No.	Date of first issue	99-04-22	
0.608	1:1	446 004 427 0	Doc.Code	Language	Sheet
Size	CAD System	Revision	Techn. Resp.	6300_E	
A 1	Pro/E	3x	C	Replacement for	
		161466		100mm	

Non e' permesso copiare o riprodurre questo documento, ne utilizzare il contenuto o i dati, senza permesso scritto dalla WABCO. E' vietata espressamente la ristampa o l'uso non autorizzato di questo documento. Toute reproduction ou utilisation non autorisée sans la permission écrite de la WABCO est formellement interdite. Toute utilisation non autorisée sera considérée comme une violation des droits de propriété intellectuelle. All rights reserved. No part of this document may be reproduced, stored in a retrieval system, or transmitted, in any form or by any means, electronic, mechanical, photocopying, recording, or by any information storage and retrieval system, without the prior written permission of WABCO.