

VOLTAGE : 24V ±5 V DC
 SPANNUNG : 24V ±5 V DC
 VOL TAGE :
 VOLTAGGIO :

PROTECT TYPE :
 SCHUTZART : IP 30 (IEC 529)
 MODE DE PROTECTION:
 MODO DI PROTEZIONE:

THERMAL RANGE OF APPLICATION :
 THERM. ANWENDUNGSBEREICH : -40°C..+75°C
 GAMME D' APPLICATION THERMIQUE:
 CAMPO DI APPLICAZIONE TERMICA:

NON-OPERATING TEMPERATURE :
 TEMPERATUR AUSSER BETRIEB : -40°C..+90°C
 TEMPERATURE HORS FONCTIONNEMENT:
 TEMPERATURA FUORI ESERCIZIO :

MALE MULTIPOINT CONNECTOR: SURFACE PROTECTION : TINNED
 MESSERLEISTE: OBERFLAECHENSCHUTZ : VERZINNT
 CONNECTEUR MALE MULTIBROCHE: PROTECTION DE SURFACE: ETAME
 SPINE MULTIPA: PROTEZIONE SUPERFICIALE : STAGNATO

SERIAL NUMBER GREATER THAN :
 ① FORTSCHRITZAHL GROESSER ALS : 0
 NUMERO DE SERIE PLUS GRAND QUE:
 NUMERO DI SERIE PIU GRANDE DI :

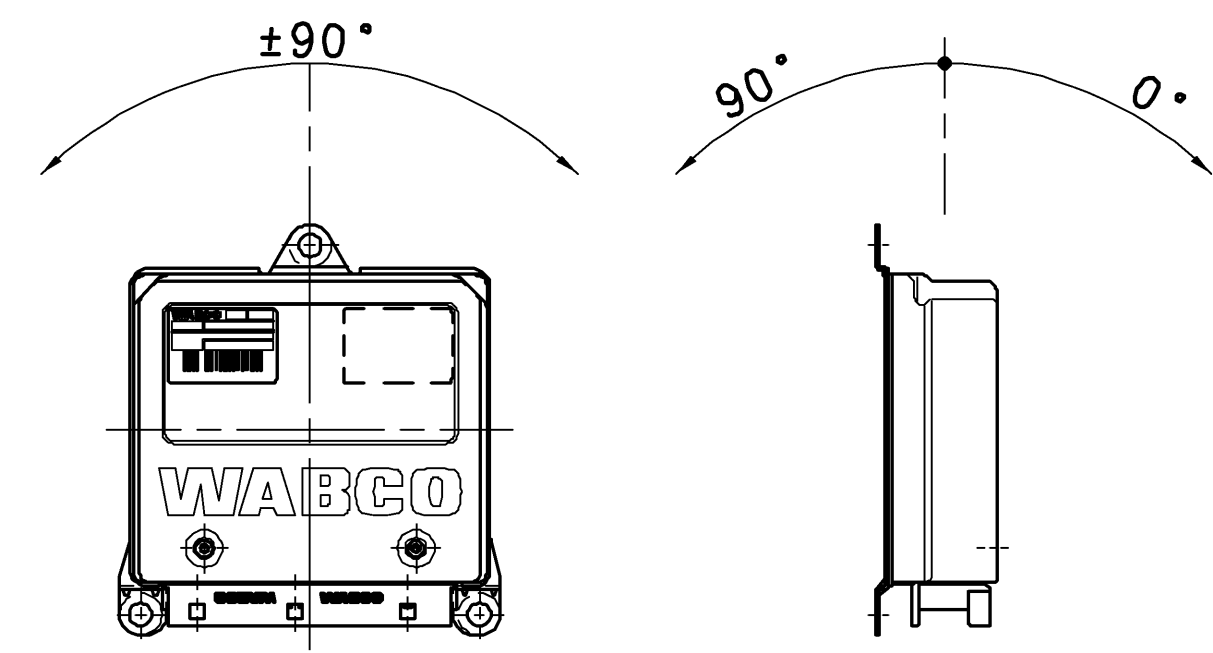
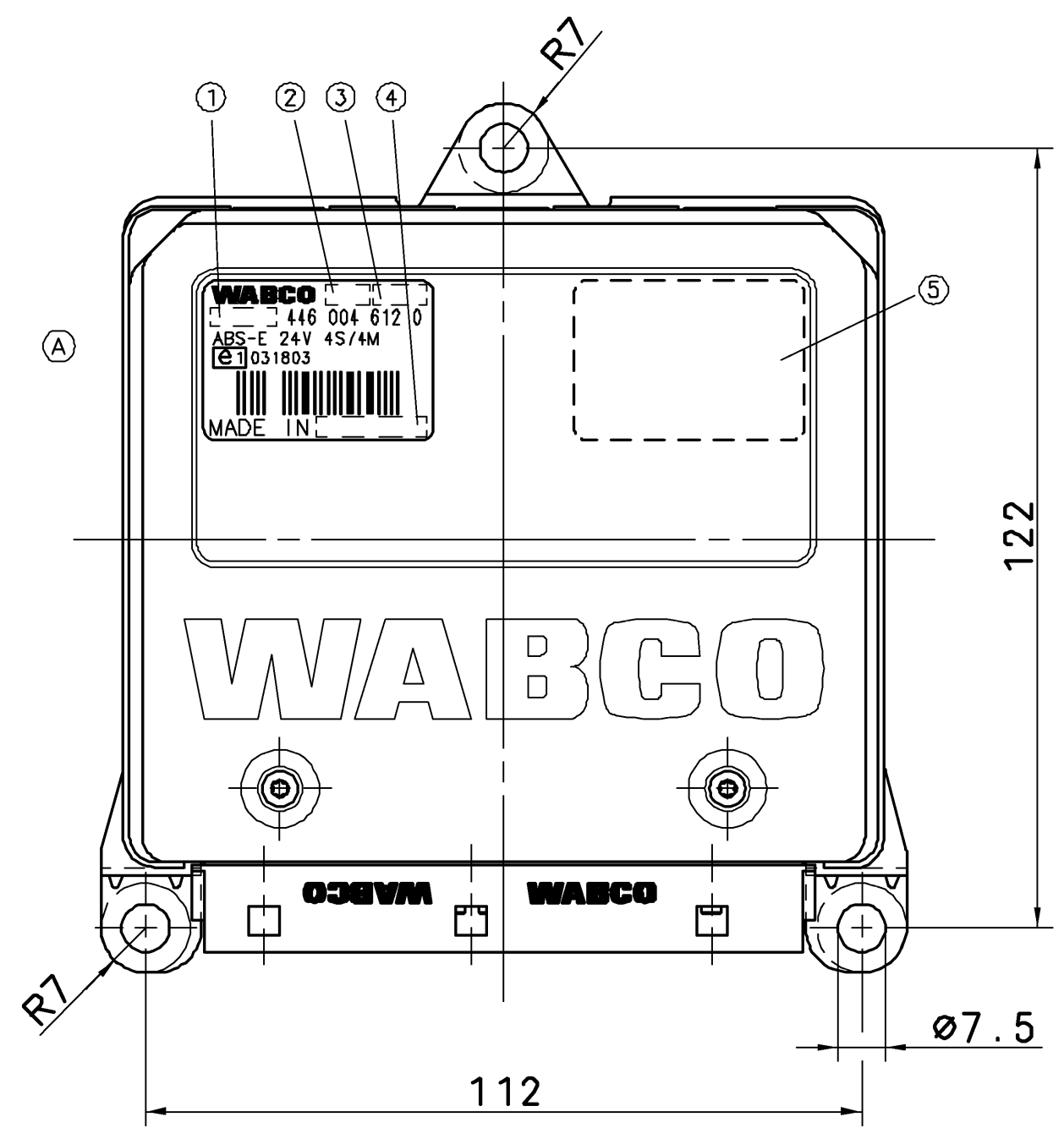
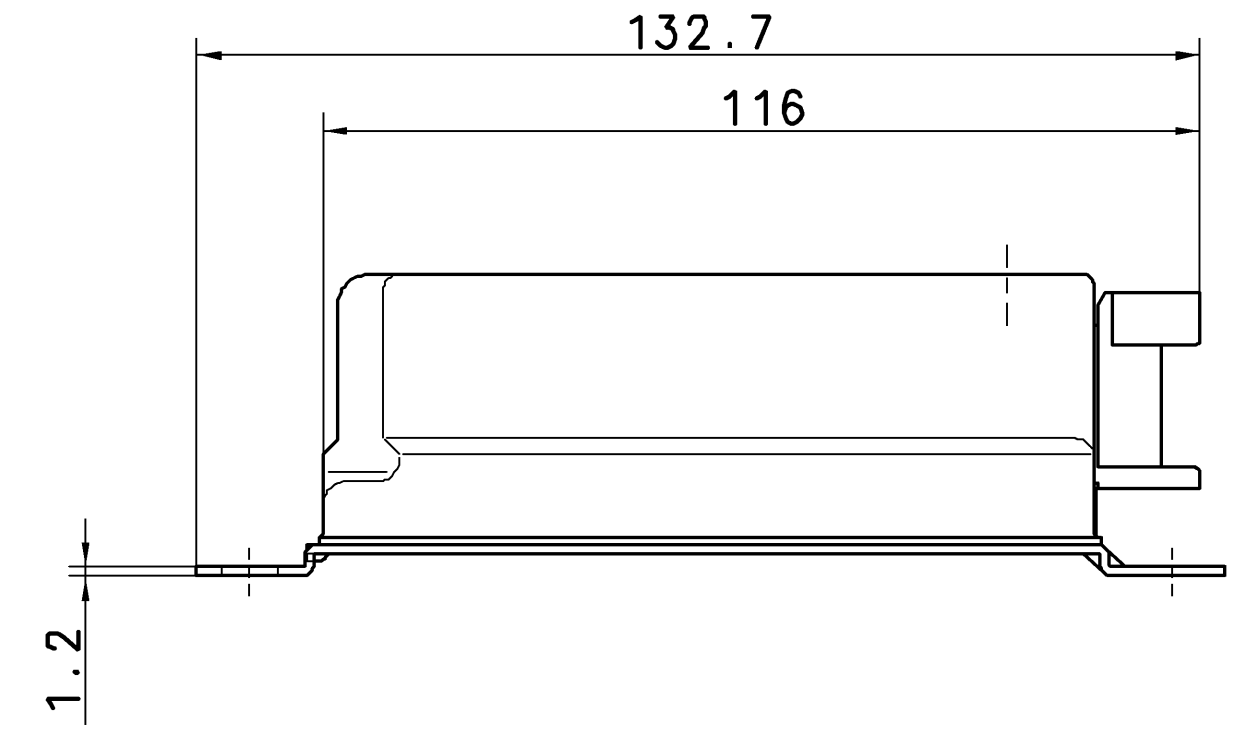
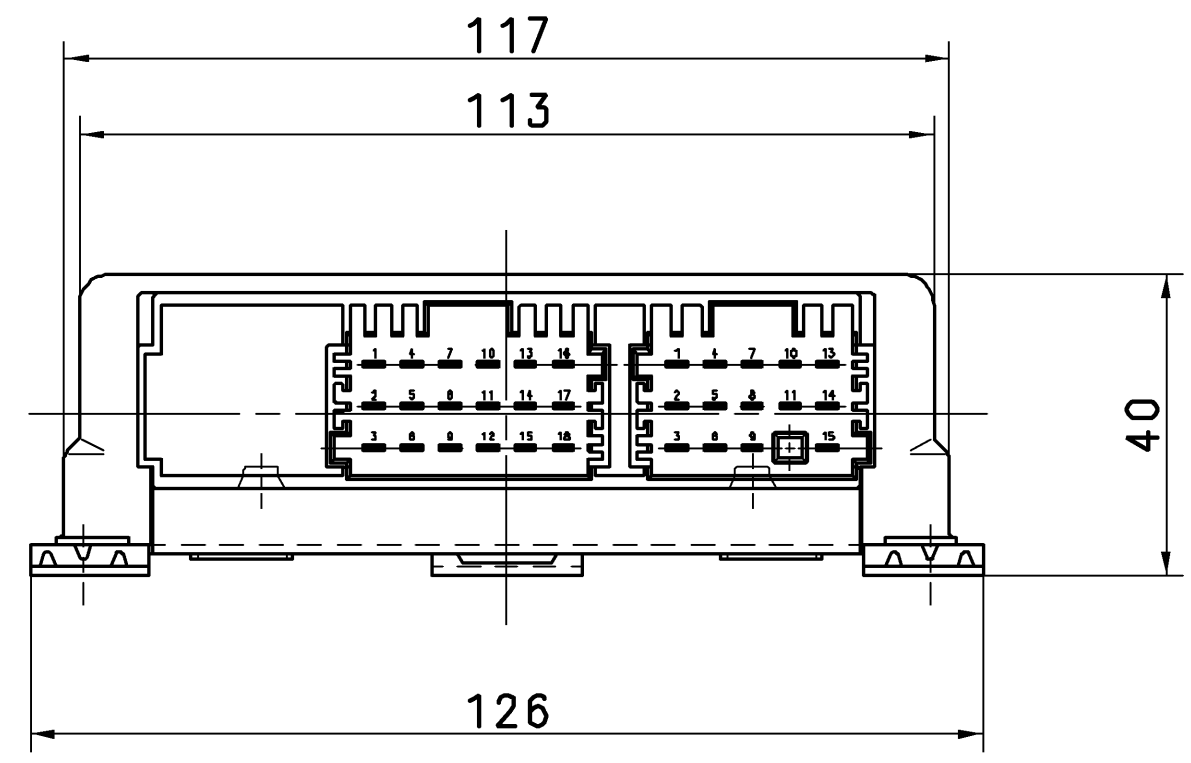
DATE OF MANUFACTURE:
 ③ HERSTELLDATUM: JED-226
 DATE DE FABRICATION:
 DATA DI FABBRICAZIONE:

CUSTOMER LABEL : OPTIONAL
 ⑤ KUNDENAUFKLEBER : BELIEBIG
 ETIQUETTE ADHESIVE DU CLIENT : A VOLONTE
 ETICHETTA ADESIVA DEL CLIENTE: A SCELTA

PRODUCTION PLACE:
 ② PRODUKTIONSSTAETTE: JED-225
 LIEU DE FABRICATION:
 LUOGO DI FABBRICAZIONE:

COUNTRY OF ORIGIN:
 ④ URSPRUNGSLAND: JED-225
 PAYS D'ORIGINE:
 PAESE D'ORIGINE:

FOR FURTHER TECHNICAL DATA SEE PRODUCT SPECIFICATION
 WEITERE TECHNISCHE DATEN SIEHE PRODUKTSPEZIFIKATION
 POUR INFORMATION COMPLEMENTAIRES VOIR LES SPECIFICATIONS DU PRODUIT
 PER INFORMAZIONI ULTERIORI VEDI LA SPECIFICAZIONE DEL PRODOTTO



NON E' PERMESSO CONSERVARE A TERZI O RIPRODURRE QUESTO DOCUMENTO. NE UTILIZZARNE IL CONTENUTO O REN-
 DERNE ACCESSIBILE A TERZI SENZA IL CONSENTO SCRITTO DEL CONCESSIONARIO. TUTTI I DIRITTI RISERVATI DA
 WABCO E COMPARTI CON I RISPETTIVI PROPRIETARI. E' FATTA RISERVA DI TUTTI I DIRITTI DERIVANTI DA
 BREVETTI O MODELLI.
 COPIING OF THIS DOCUMENT AND ITS CONTENTS TO OTHERS AND ANY USE OF INFORMATION OF THE CONTENTS IN
 CONNECTION WITH THIS DOCUMENT ARE STRICTLY PROHIBITED. ALL RIGHTS ARE RESERVED IN THE EVENT OF THE
 ABUSE AND RESULT IN A LIABILITY TO THE PAYMENT OF DAMAGES. THIS DOCUMENT IS THE SUBJECT OF COPYRIGHT.
 GRANT OF PATENT OR REGISTRATION OF A UTILITY MODEL OR DESIGN.
 TOUTE REPRODUCTION DE CE DOCUMENT, TOUTE EXPLOITATION OU COMMUNICATION DE SON CONTE-
 NU A UN TIERCEUR, SAUF AVEC LE CONSENTEMENT ECRIT DU CONCESSIONNAIRE, EST INTERDITE. TOUS DROITS DE PROPRIETE
 INDUSTRIELLE RESERVES. NOTAMMENT EN MATIERE DE BREVETS ET DE MODELES.
 WERTERBE SOWIE Vervielfaeligung dieses Unterlaege, Vervielfaeligung und Mitteilung ihres Inhalts nicht
 gestattet. Nachdruck, Verbreitung oder sonstige Verwertung der Inhalte dieses Dokuments ohne schriftliche
 Genehmigung der WABCO ist untersagt. Alle Rechte vorbehalten.

GENERAL SPECIFICATION: JED-334		CADAM-DRAWING COPYRIGHT		WABCO	
FURTHER TECHNICAL DATA:		DATE: 04-12-02		DRAWN: PFENNIG	
DOC. CODE: SHEET: 10		CHECKED: 04-12-02		OHLENDORF	
GENERAL TOLERANCES		STANDARDIZATION: 04-12-02		STERLING	
CLASS 1)	RANGE OF NOMINAL DIMENSIONS (± mm)				
	≤50	> 50 ≤180	>180 ≤400	>400	± 3'
	FINE	0,5	1,0	1,5	2,0
	MEDIUM	1,0	2,0	3,0	4,0
COARSE	2,0	3,5	5,0	6,5	
TAPPED HOLES ACC. ISO 4039 / JED-152		112677		2xA 07-03-06	
1) TOLERANCE CLASS APPLIED CROSSMARKED		DGN-NO.		REV.	
		DATE			
		MASS		SCALE	
		0.5		1:1	
		KG		T.R.I.	
		SIZE		446 004 612 0	
		A 2		620	
		PRODUCT IDENTIFICATION NO.		DOC. CODE SHEET	
		446 004 612 0		605 1/1	
		SHAPE CODE		REPLACEMENT FOR	
		EXPERT CODE 0 9 6		PRODUCT TYPE	