

VOLTAGE:  
SPANNUNG: 24V  $\pm \frac{6}{5}$  V DC

PROTECT TYPE:  
SCHUTZART: IP 40 (IEC 529)

THERMAL RANGE OF APPLICATION:  
THERM. ANWENDUNGSBEREICH: -40 °C...+75 °C

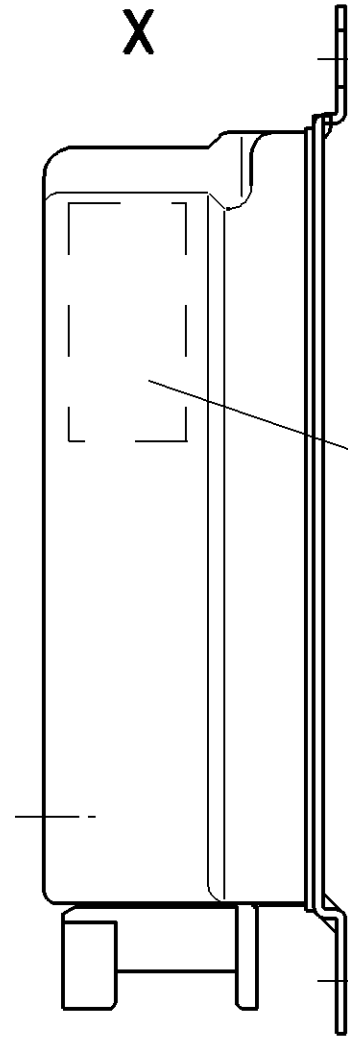
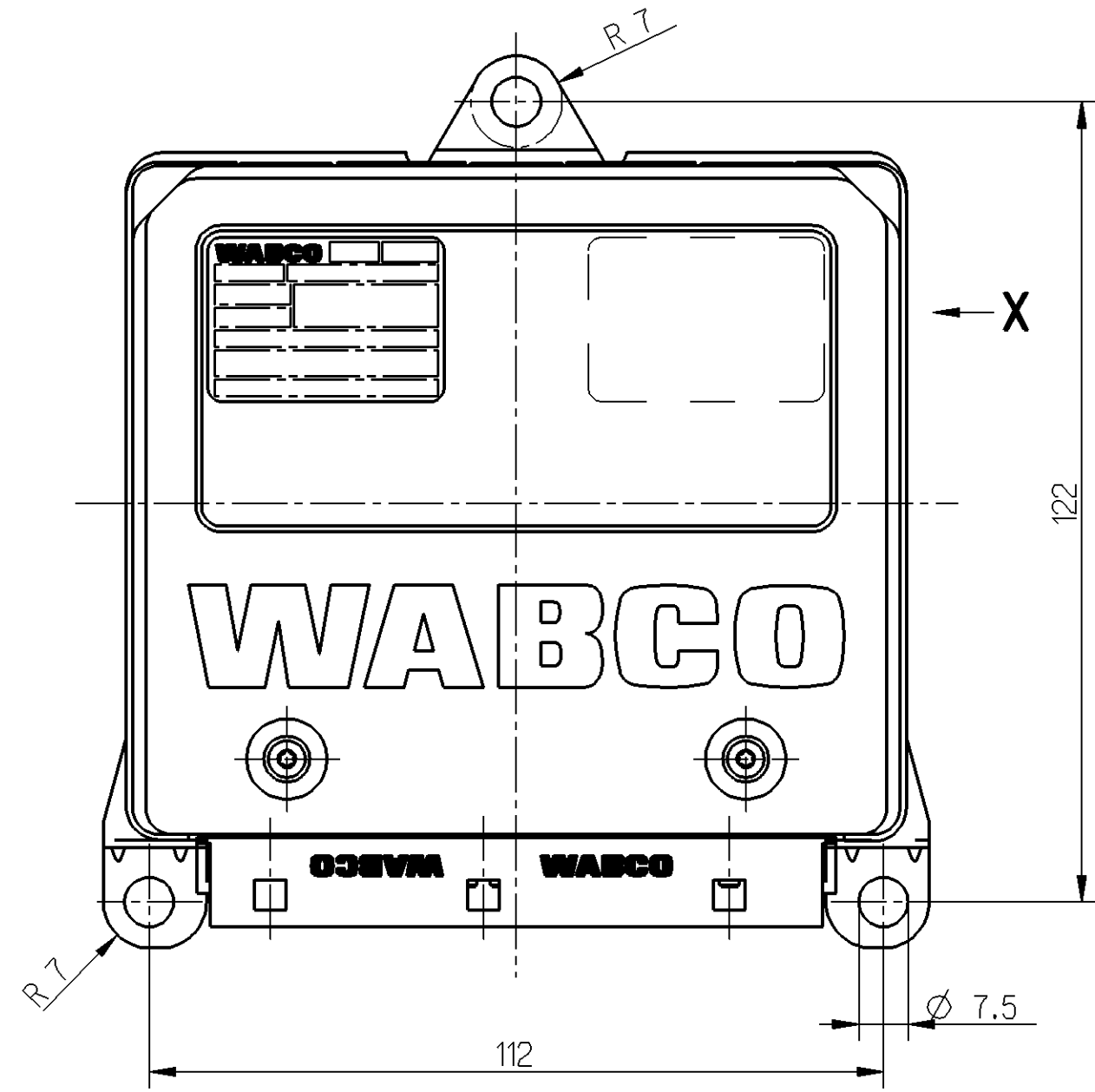
NON-OPERATING TEMPERATURE:  
TEMPERATUR AUSSER BETRIEB: -40 °C...+90 °C

MALE MULTIPOINT CONNECTOR; SURFACE PROTECTION:  
MESSERLEISTE; OBERFLAECHENSCHUTZ: TINNED  
VERZINNT

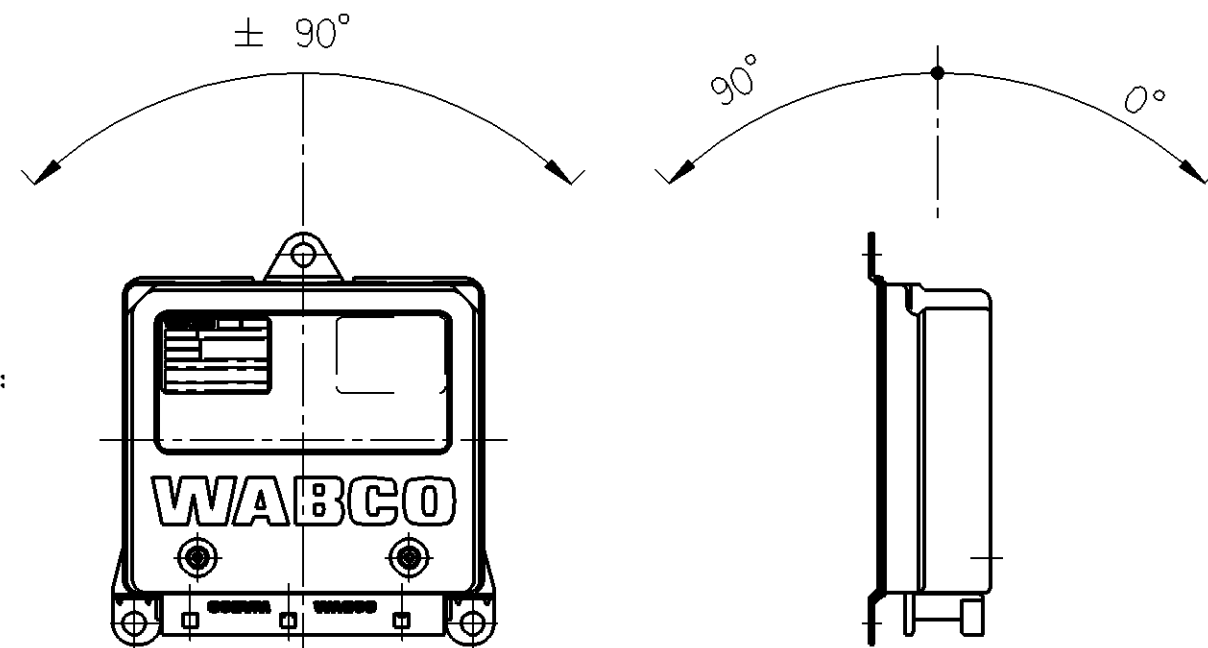
SERIAL NUMBER GREATER THAN:  
FORTSCHRITZZAHL GROESSER ALS: 0

WABCO LABEL / CUSTOMER LABEL:  
CONTENTS SEE DOCUMENT "LABELING INFORMATION" (446 004 644 0 DOC. 922)  
WABCO-KENNZEICHNUNG / KUNDEN- KENNZEICHNUNG:  
INHALT SIEHE DOKUMENT "LABELING INFORMATION" (446 004 644 0 DOC. 922)

FOR FURTHER TECHNICAL DATA SEE PRODUCT SPECIFICATION  
WEITERE TECHNISCHE DATEN SIEHE PRODUKTSPEZIFIKATION



AREA PROVIDED FOR INTERIM LABEL (FOR WABCO PURPOSE ONLY)  
BEREICH FUER INTERIMS-AUFKLEBER (NUR BEI WABCO)



INSTALLATION POSITION:  
EINBAU-LAGE:

General Specification: JED-334-0		Copyright WABCO®		<b>WABCO</b>				
Further Technical Data:		Date	Signature	ELECTRONIK ELEKTRONIK ABS-E4 BASIC 24V UDS				
Doc. Code:	Sheet:	2011-08-11	Pfennig	Material No. 446 004 644 0				
General Tolerances JED-261		Checked		Date of first issue: 2011-08-16				
Range of Nominal Dimensions ( ± mm)		Expert		Doc. Code Language Sheet				
Class	1)	≤ 50	> 50 ≤ 180	> 180 ≤ 400	> 400	005	DE	1/1
Fine		0.5	1.0	1.5	2.0	Revision		
Medium	X	1.0	2.0	3.0	4.0	Techn. Resp.		
Coarse		2.0	3.5	5.0	6.5	6300		
Tapped Holes acc.		Sültmann		Replacement for				
1) Tolerance Class Applied Crossmarked		A 2		Pro/E				

Non è permesso consegnare o terzi o riprodurre questo documento, né utilizzare il contenuto o renderlo comunque noto a terzi. È vietata espressamente la ristampa o l'uso non autorizzato senza permesso scritto dalla WABCO. E' vietata espressamente la ristampa o l'uso non autorizzato senza permesso scritto dalla WABCO.

Toute communication ou reproduction de ce document, toute exploitation ou communication de son contenu sont interdites, sauf autorisation expresse. Tout manquement à cette règle constitue un abus, éventuellement engageant la responsabilité de dommages et intérêts. Toute réimpression ou utilisation non autorisée sans la permission écrite de la WABCO est formellement interdite.

All rights reserved. In the event of the grant of patent or registration of a utility model or design, this document is the subject of copyright.