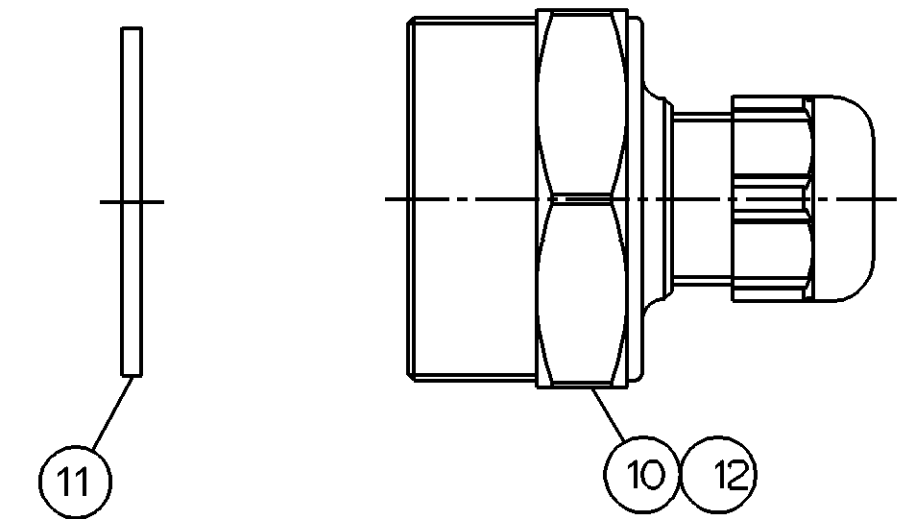
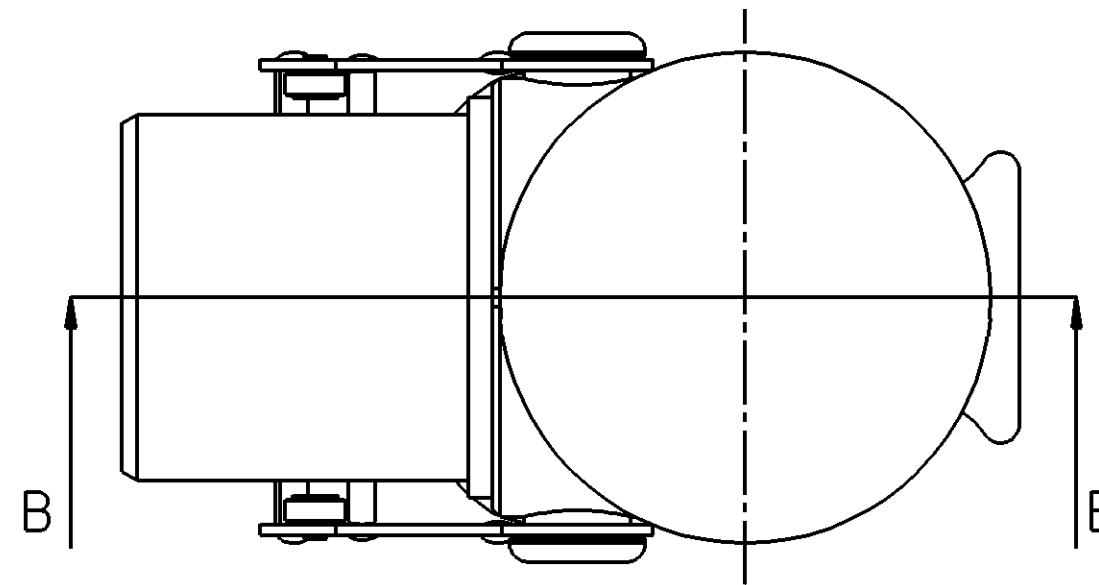
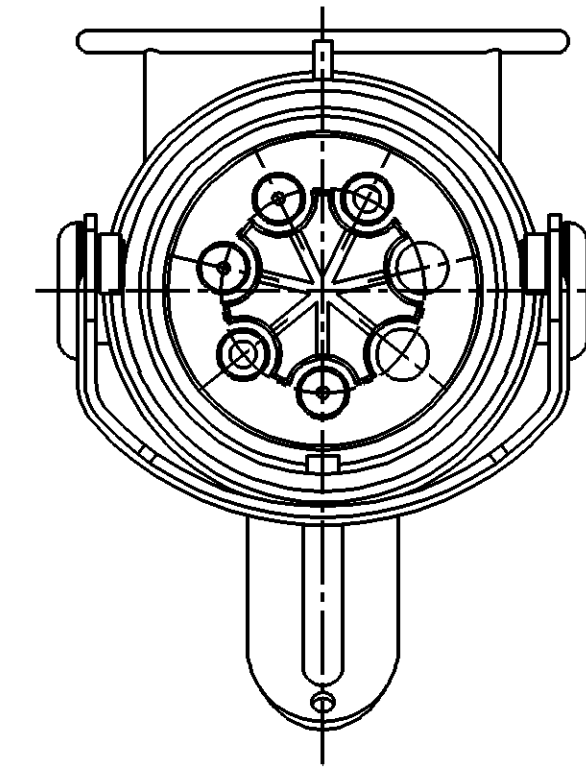
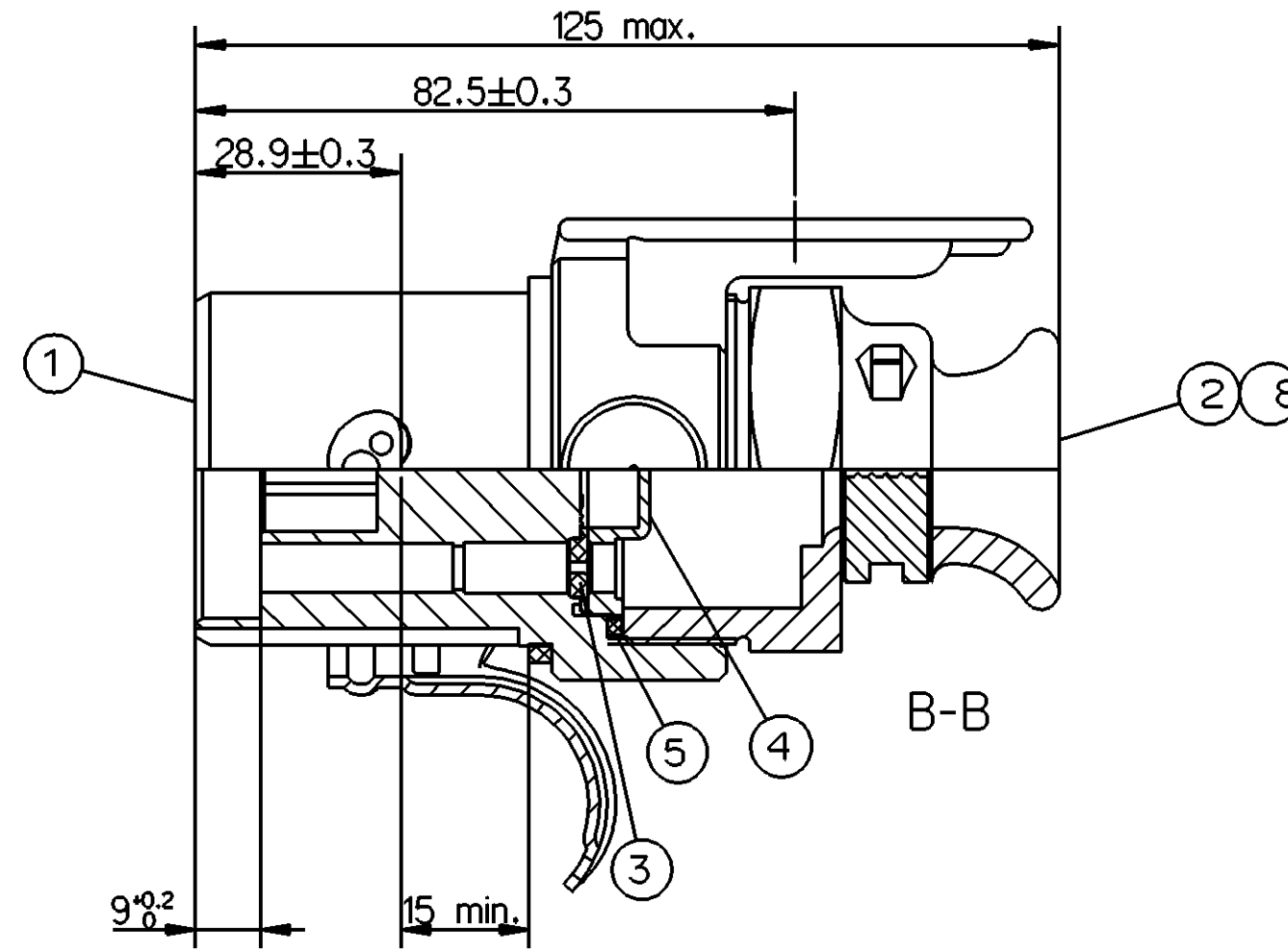
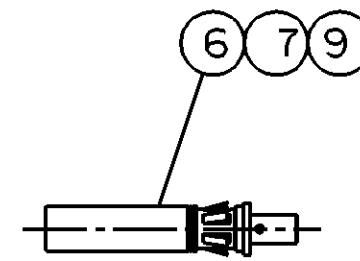


Ansicht ohne ZB-Trompetenkappe
und Dichtung
VIEW WITHOUT TRUMPET CAP ASSY.
AND SEAL



nur schematische Darstellung
der Lamellenkappe und Dichtung
VIEW OF LAMELLAR CAP AND SEAL



Menge QTY.	Menge QTY.	Menge QTY.	Menge QTY.	Pos. POS.	Benennung DESCRIPTION	Einh. UNIT
446 008 391 2	446 008 390 2	446 008 371 2	446 008 360 2		← WABCO-Nr. WABCO-NO.	
1	1	1	1	1	ZB-Steckergehäuse HOUSING ASSY.	Stck PCS
-	-	-	1	2	ZB-Trompetenkappe TRUMPET CAP ASSY.	Stck PCS
-	-	1	1	3	Dichtscheibe SEAL	Stck PCS
-	-	1	1	4	Führungsscheibe WASHER	Stck PCS
-	-	1	1	5	Dichtring SEAL	Stck PCS
3	3	3	3	6	Kontaktbuchse Sn 1.5mm ² TERMINAL	Stck PCS
-	2	2	2	7	Kontaktbuchse Sn 6.0mm ² TERMINAL	Stck PCS
-	-	1	-	8	ZB-Trompetenkappe TRUMPET CAP ASSY.	Stck PCS
2	-	-	-	9	Kontaktbuchse Sn 4.0mm ² TERMINAL	Stck PCS
-	1	-	-	10	ZB-Lamellenkappe Ø9.0-Ø14.0 LAMELLAR CAP ASSY.	Stck PCS
1	1	-	-	11	Dichtring SEAL	Stck PCS
1	-	-	-	12	ZB-Lamellenkappe Ø6.0-Ø12.0 LAMELLAR CAP ASSY.	Stck PCS

Bemerkungen/NOTES :
ADR tauglich im montierten und gesteckten Zustand
Steckverbinder entspricht DIN ISO 7638 Teil 1+2
Bauteilkennzeichen: TÜ.EGG.033-98
Temperaturbereich: -40 °C ... +110 °C

SUITABLE FOR ADR IN MOUNTED AND CONNECTED CONDITION
CONNECTOR CORRESPONDS TO DIN ISO 7638 PART 1+2
TYPE-TEST APPROVAL MARK: TÜ.EGG.033-98
TEMPERATURE RANGE: -40 °C ... +110 °C

General Specification: JED-334-0, Size ISO 14405-1 E		Copyright WABCO®		WABCO	
Further Technical Data:		Date	Signature	ABS-PLUG ABS-STECKET	
Doc. Code:	Sheet: To	2013-07-11	Wieczorek		
General Tolerances JED-261		Checked	Hoefler		
Range of Nominal Dimensions (± mm)		Expert			
Class 1)	≤ 50	> 50 ≤ 180	> 180 ≤ 400	> 400	±3°
Fine	0.5	1.0	1.5	2.0	
Medium	1.0	2.0	3.0	4.0	
Coarse	2.0	3.5	5.0	6.5	
Tapped Holes acc.		Mtss	Scale	Material No.	
1) Tolerance Class Applied Crossmarked		KG	1:1	446 008 390 2	
		Size	CAD System	Date of first issue: 2013-07-11	
		A 2	Pro/E	Doc. Code	Language
				053	DE
				Sheet 1/1	
				ECN-No. Revision Techn. Resp. Replacement for	