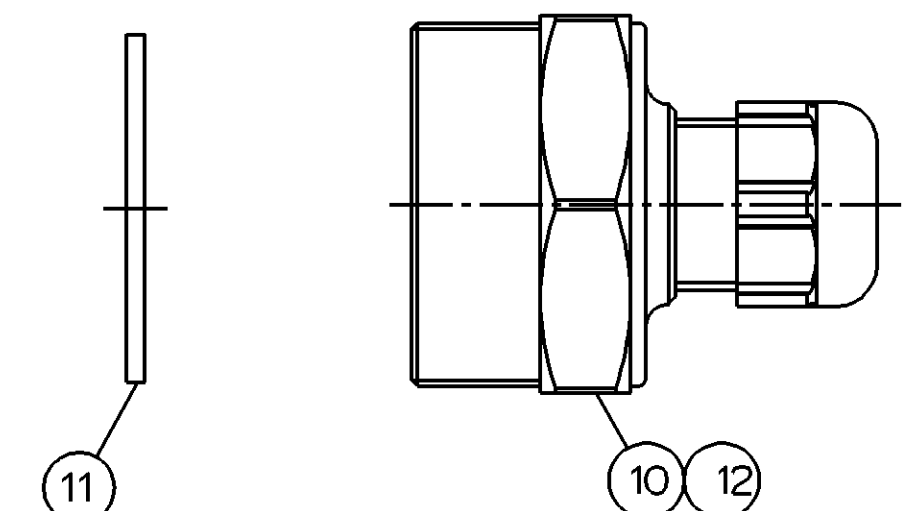
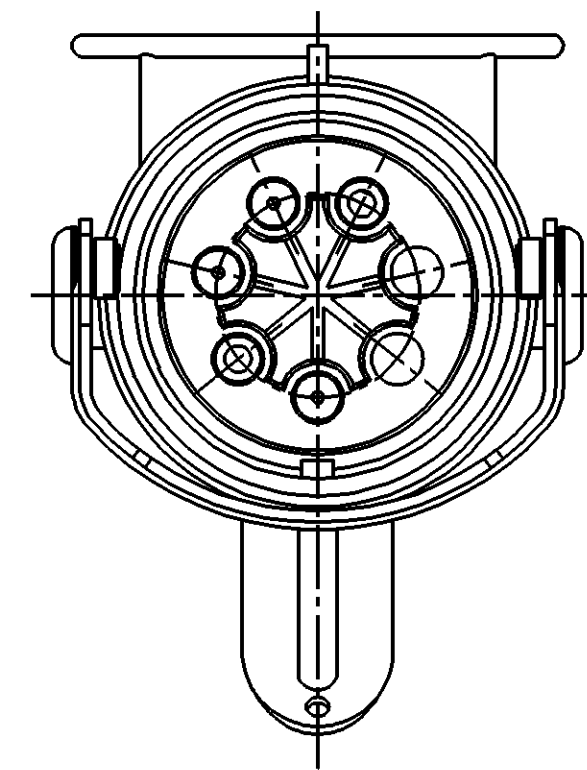
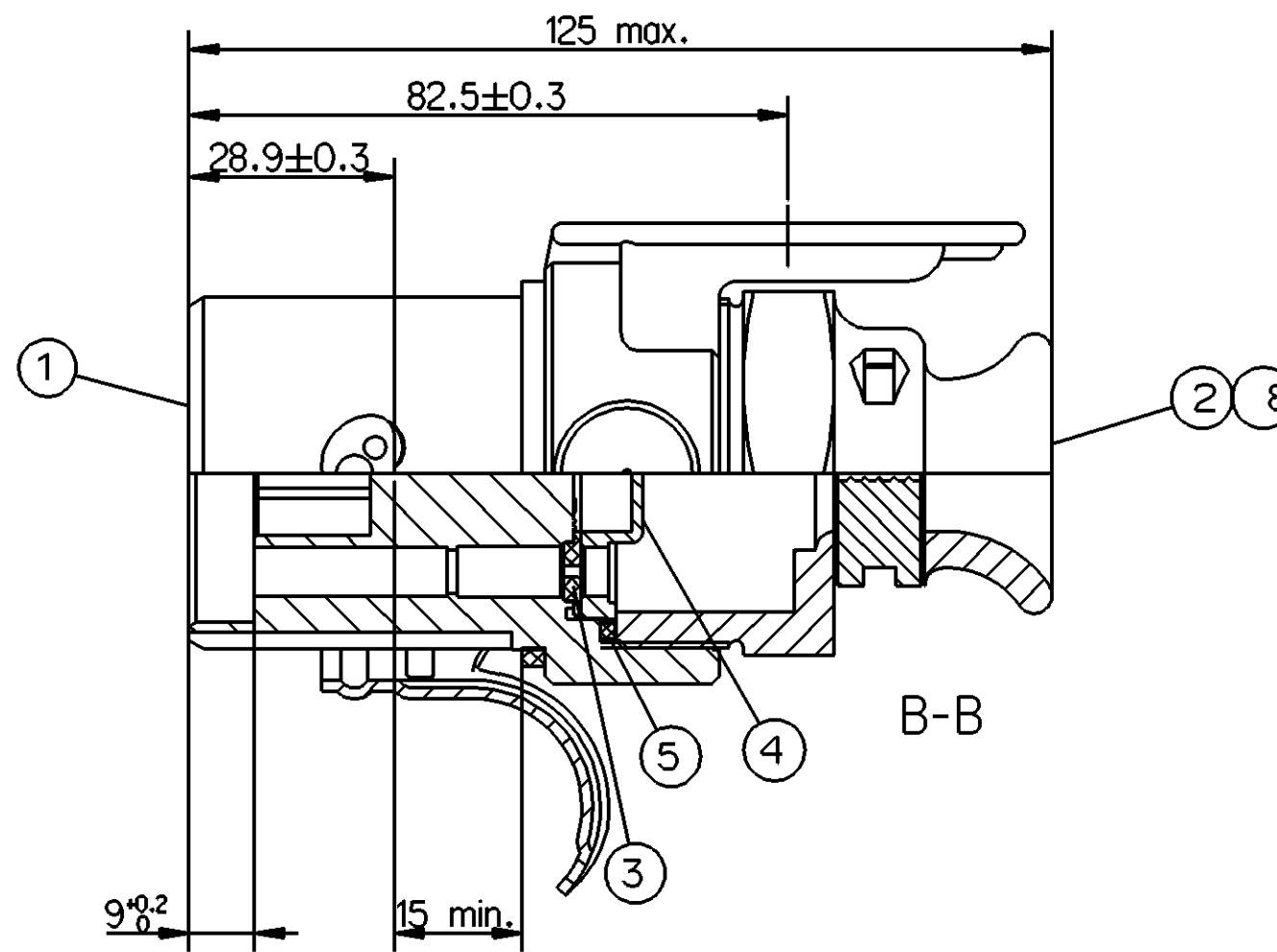
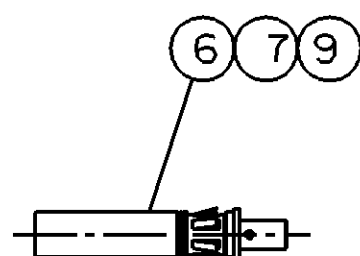
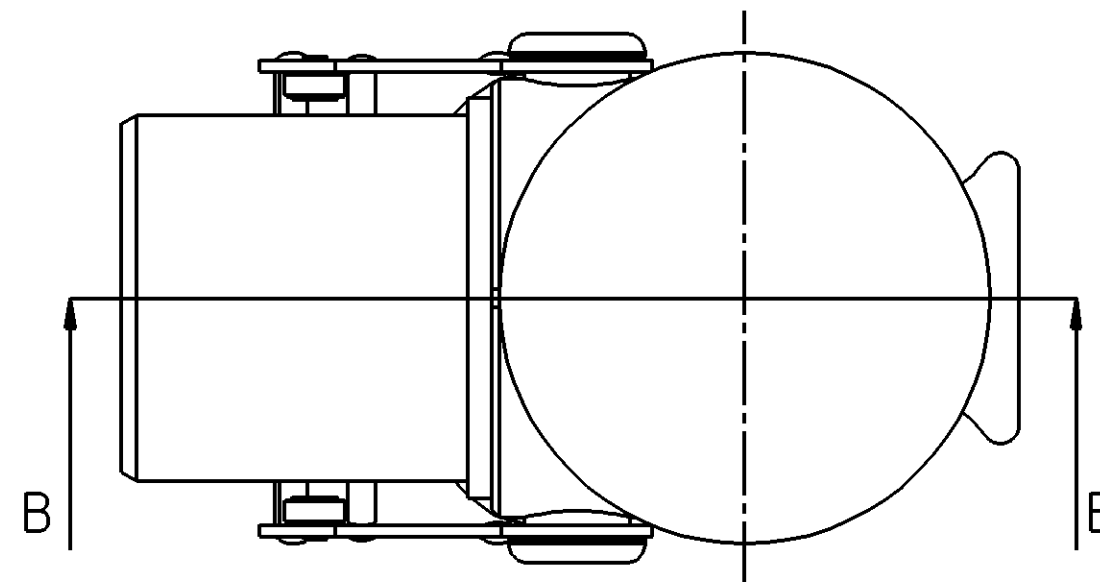


Ansicht ohne ZB-Trompetenkappe und Dichtung
VIEW WITHOUT TRUMPET CAP ASSY. AND SEAL



nur schematische Darstellung der Lamellenkappe und Dichtung
VIEW OF LAMELLAR CAP AND SEAL



Menge QTY.	Menge QTY.	Menge QTY.	Menge QTY.	Pos. POS.	Benennung DESCRIPTION	Einh. UNIT
446 008 391 2	446 008 390 2	446 008 371 2	446 008 360 2		← WABCO-Nr. WABCO-NO.	
1	1	1	1	1	ZB-Steckergehäuse HOUSING ASSY.	Stck PCS
-	-	-	1	2	ZB-Trompetenkappe TRUMPET CAP ASSY.	Stck PCS
-	-	1	1	3	Dichtscheibe SEAL	Stck PCS
-	-	1	1	4	Führungsscheibe WASHER	Stck PCS
-	-	1	1	5	Dichtring SEAL	Stck PCS
3	3	3	3	6	Kontaktbuchse Sn 1.5mm ² TERMINAL	Stck PCS
-	2	2	2	7	Kontaktbuchse Sn 6.0mm ² TERMINAL	Stck PCS
-	-	1	-	8	ZB-Trompetenkappe TRUMPET CAP ASSY.	Stck PCS
2	-	-	-	9	Kontaktbuchse Sn 4.0mm ² TERMINAL	Stck PCS
-	1	-	-	10	ZB-Lamellenkappe Ø9.0-Ø14.0 LAMELLAR CAP ASSY.	Stck PCS
1	1	-	-	11	Dichtring SEAL	Stck PCS
1	-	-	-	12	ZB-Lamellenkappe Ø6.0-Ø12.0 LAMELLAR CAP ASSY.	Stck PCS

Bemerkungen/NOTES :
ADR tauglich im montierten und gesteckten Zustand
Steckverbinder entspricht DIN ISO 7638 Teil 1+2
Bauteilkennzeichen: TÜ.EGG.033-98
Temperaturbereich: -40 °C ... +110 °C

SUITABLE FOR ADR IN MOUNTED AND CONNECTED CONNITION
CONNECTOR CORRESPONDS TO DIN ISO 7638 PART 1+2
TYPE-TEST APPROVAL MARK: TÜ.EGG.033-98
TEMPERATURE RANGE: -40 °C ... +110 °C

General Specification: JED-334-0, Size ISO 14405-1 E		Copyright WABCO®		WABCO	
Further Technical Data:		Date	Signature	Date of first issue: 2013-07-11	
Doc. Code:	Sheet: To	2013-07-11	Wieczorek	Doc. Code Language Sheet	
General Tolerances JED-261		2013-07-11	Hoeffler	053 DE 1/1	
Range of Nominal Dimensions (± mm)		Expert		Material No.	
Class 1)	≤ 50 > 50 ≤ 180 > 180 > 400	Kerl		446 008 391 2	
Fine	0.5 1.0 1.5 2.0	Kerl		Date of first issue: 2013-07-11	
Medium	1.0 2.0 3.0 4.0	Kerl		Doc. Code Language Sheet	
Coarse	2.0 3.5 5.0 6.5	Kerl		053 DE 1/1	
Tapped Holes acc.		Kerl		ECN-No. Revision Techn. Resp. Replacement for	
1) Tolerance Class Applied Crossmarked		Kerl		ECN-No. Revision Techn. Resp. Replacement for	