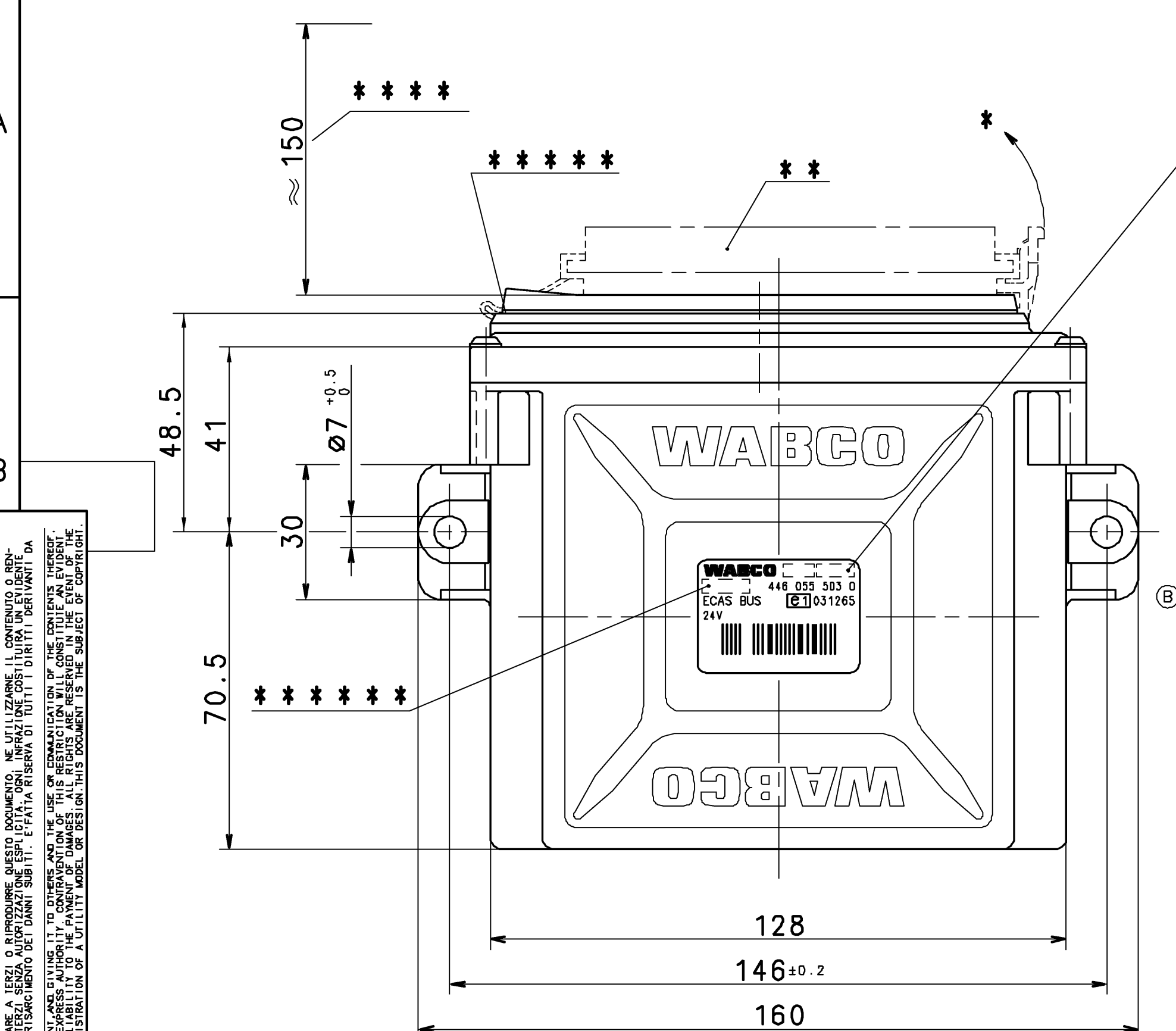


NON E' PERMESSO CONSERVARE A TERZI O RIPRODURRE QUESTO DOCUMENTO, NE UTILIZZARNE IL CONTENUTO O RENDERSI RESPONSABILI PER QUALSIASI DANNI, PERDITE O GUASTI. TUTTI I DIRITTI RISERVATI DA WABCO E COMPARTI CON I RISPETTIVI PROPRIETARI. E' FATTA RISERVA DI TUTTI I DIRITTI DERIVANTI DA BREVETTI O MODELLI. COPIING OF THIS DOCUMENT AND ITS CONTENTS AND ANY USE OF INFORMATION CONTAINED HEREIN WITHOUT THE WRITTEN PERMISSION OF WABCO IS PROHIBITED. ALL RIGHTS ARE RESERVED IN THE EVENT OF THE ABSENCE AND RESULT IN A LIABILITY TO THE PAYMENT OF DAMAGES. THIS DOCUMENT IS THE SUBJECT OF COPYRIGHT.

1 2 3 4 5 6 7 8



DATE OF MANUFACTURE: JED-226
 HERSTELLDATUM: JED-226
 DATE DE FABRICATION: JED-226
 DATA DI FABBRICAZIONE: JED-226

VOLTAGE: 24V±25%DC
 SPANNUNG: 24V±25%DC
 VOLTAG: 24V±25%DC
 VOLTAGGIO: 24V±25%DC

THERMAL RANGE OF APPLICATION: -40°C...+70°C
 THERM. ANWENDUNGSBEREICH: -40°C...+70°C
 GAMME D' APPLICATION THERMIQUE: -40°C...+70°C
 CAMPO DI APPLICAZIONE THERMICA: -40°C...+70°C

PROTECTION TYPE: IP 30 (IEC 529)
 SCHUTZART: IP 30 (IEC 529)
 MODE DE PROTECTION: IP 30 (IEC 529)
 MODO DI PROTEZIONE: IP 30 (IEC 529)

FURTHER TECHNICAL DATA SEE PRODUCTSPECIFICATION
 WEITERE TECHNISCHE DATEN SIEHE PRODUKT-SPEZIFIKATION
 POUR INFORMATION COMPLEMENTAIRES VOIR LES SPECIFICATIONS DU PRODUIT
 PER INFORMAZIONI ULTERIORI VEDI LA SPECIFICAZIONE DEL PRODOTTO

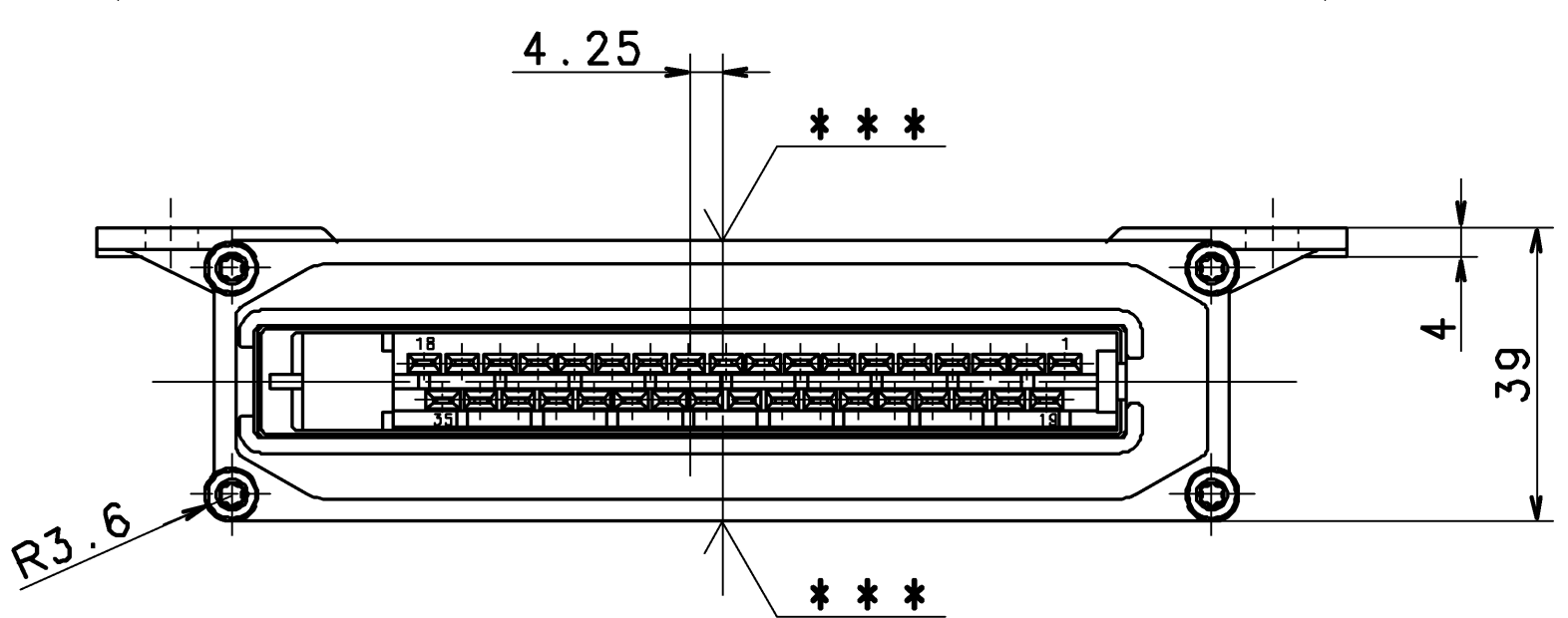
* DIRECTION FOR REMOVING THE SPRING CONTACT HOUSING
 * AUSHEBERICHTUNG DES FEDERKONTAKTGEHAEUSES
 * DIRECTION POUR RETIRER LA BOITIER POUR LES CONTACTS ELASTIQUES
 * DIREZIONE PER RIMOUVERE EL CORPO PER CONTATTI ELASTICI

* * SPRING CONTACT HOUSING DRAWN WITHOUT CABLE
 * * FEDERKONTAKTGEHAEUSE OHNE KABEL GEZEICHNET
 * * BOITIER POUR LES CONTACTS ELASTIQUES DESSINEE SANS CABLE
 * * CORPO PER CONTATTI ELASTICI DISEGNATO SENZA CAVO

* * * MAX. PERMISSIBLE FLEXION 1MM
 * * * MAX. ZULAESSIGE DURCHBIEGUNG 1MM
 * * * FLEXION MAX. ADMISSIBLE
 * * * FESSIONE MAX. AMMESSA

MALE MULTIPPOINT CONNECTOR: SURFACE PROTECTION: TINNED
 MESSERLEISTE: OBERFLAECHENSCHUTZ: VERZINNT
 CONNECTEUR MALE MULTIBROCHE: PROTECTION DE SURFACE: ETAME
 SPINE MULTIPA: PROTEZIONE SUPERFICIALE: STAGNATO

REQUIRED SPRING CONTACT HOUSING: 894 510 764 2
 ERFORDERLICHES FEDERKONTAKTGEHAEUSE: 894 510 764 2
 BOITIER POUR LES CONTACTS ELASTIQUES REQUIS: 894 510 764 2
 NECESSARIO CORPO PER CONTATTI ELASTICI: 894 510 764 2



* * * * TO TAKE INTO ACCOUNT FOR INSERTING THE SPRING CONTACT HOUSING
 * * * * ZUM EINSTECKEN DES FEDERKONTAKTGEH. BERUECKSICHTIGEN
 * * * * A PRENDRE EN CONSIDERATION POUR L'INSERATION DE LA BOITIER
 * * * * TENER CONTO PER L'INSERMIMENTO DEL CORPO PER CONTATTI ELASTICI

* * * * * POINT OF ROTATION OF THE SPRING CONTACT HOUSING
 * * * * * DREHPUNKT DES FEDERKONTAKTGEHAEUSES
 * * * * * POINT DE ROTATION DE LA BOITIER POUR LES CONTACTS ELASTIQUES
 * * * * * PUNTO DI ROTAZIONE DEL CORPO PER CONTATTI ELASTICI

* * * * * SERIAL NUMBER GREATER THAN: 0
 * * * * * FORTSCHRITZZAHL GROESSER ALS: 0
 * * * * * NUMERO DE SERIE PLUS GRAND QUE: 0
 * * * * * NUMERO DI SERIE PIU GRANDE DI: 0

GENERAL SPECIFICATION: JED-334		CADAM-DRAWING COPYRIGHT		WABCO	
FURTHER TECHNICAL DATA:		DATE	SIGNATURE	DRAWN: 98-03-18/PFENNIG	
DOC. CODE: SHEET: 10		CHECKED: 98-03-18/SCHWARZER		ELECTRONIC ELEKTRONIK ECAS BUS	
GENERAL TOLERANCES		STANDARDIZATION:		ELECTRONIQUE 24V ISO	
CLASS 1)	RANGE OF NOMINAL DIMENSIONS (± mm)	MASS		PRODUCT IDENTIFICATION NO.	
	≤50 >50 ≤180 >180 ≤400 >400	0.27	SCALE 1:1	446 055 503 0	
FINE	± 0.5 ± 1.0 ± 1.5 ± 2.0	KG	SIZE	DOC. CODE	SHEET
MEDIUM	± 1.0 ± 2.0 ± 3.0 ± 4.0		T.R.I.	605	1/1
COARSE	± 2.0 ± 3.5 ± 5.0 ± 6.5	TAPPED HOLES ACC. ISO 4039 / JED-152		REPLACEMENT FOR	
		068954	1xA	98-12-16	
1) TOLERANCE CLASS APPLIED CROSSMARKED		DGN-NO.	REV.	DATE	
				7 9 8	

1 2 3 4 5 6 7 8