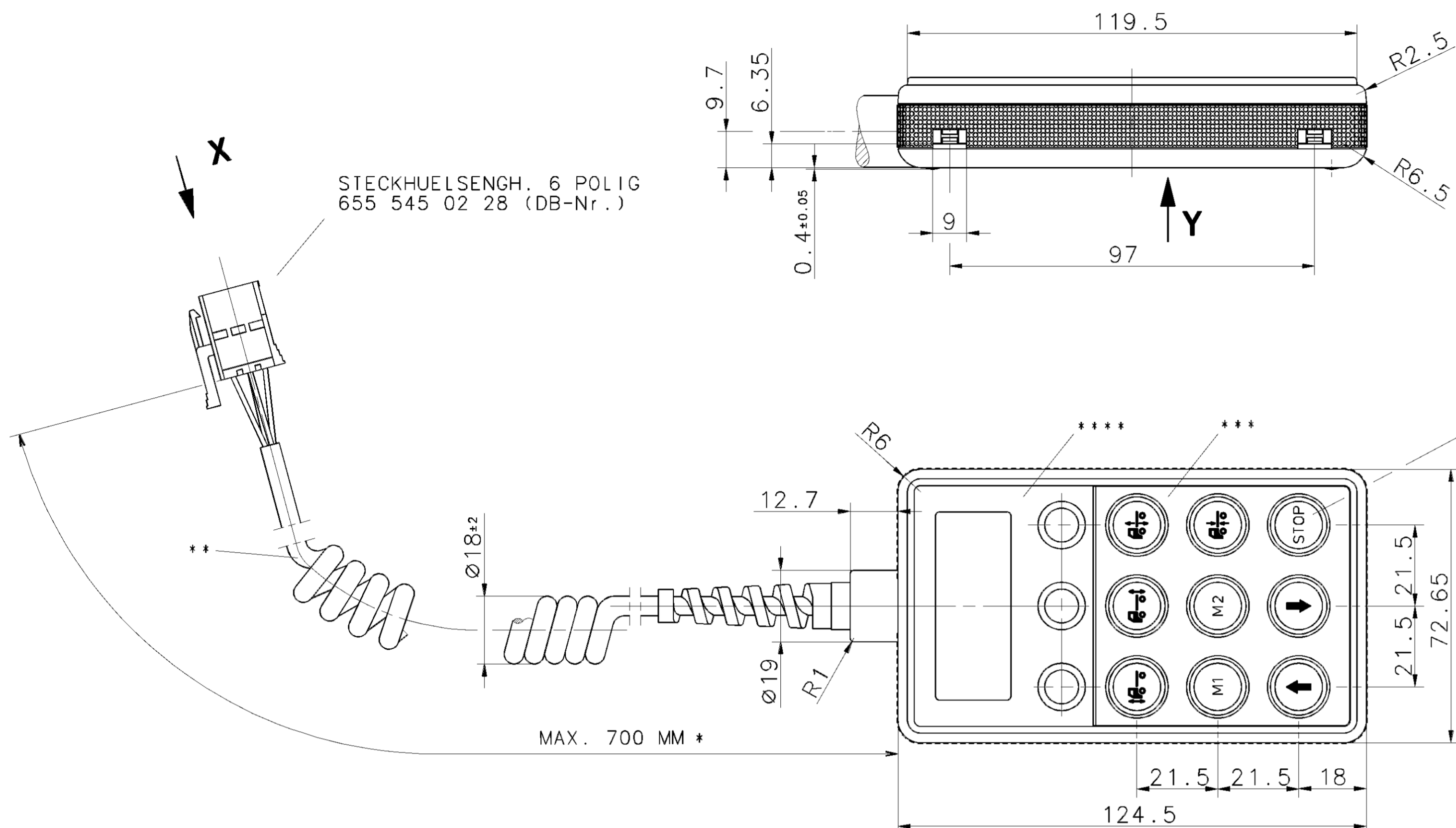


TOILE COMMUNICATION DE DOCUMENT, TOUTE REPRODUCTION OU COMMUNICATION DE SON CONTENU...  
 COMMUNICATION OF DOCUMENT, ANY REPRODUCTION OR COMMUNICATION OF ITS CONTENT...  
 INFORMATION ET/OU SON CONTENU, EST INTERDITE...  
 INFORMATION AND/OR ITS CONTENT, IS PROHIBITED...  
 WEDER NACHRICHTENGEHALT, NACHRICHTENGEHALT, NACHRICHTENGEHALT UND NACHRICHTENGEHALT...  
 NEITHER MESSAGE CONTENT, MESSAGE CONTENT, MESSAGE CONTENT AND MESSAGE CONTENT...  
 VERBODEN.



GROUND COLOR: RED  
 GRUNDFARBE: ROT  
 COULEUR DE FOND: ROUGE  
 COLORE DE FONDO: ROSSO

STAMP: WHITE  
 AUFDRUCK: WEISS  
 MARQUAGE: BLANC  
 STAMPIGLIATURA: BIANCO

SURFACE GRAINED, SIMILAR TO:  
 OBERFLAECHE GENARBT, AEHNLICH: JED-533-035 (VDI 3400 REF. 24) \*\*\* (A)  
 SURFACE GRAINEE, SEMBLABLE A: JED-533-038 (VDI 3400 REF. 33) \*\*\*\*  
 SUPERFICIE GRANULATA, SIMILE A :

VOLTAGE:  
 SPANNUNG: 24V ± 25% DC  
 VOLTAGE:  
 VOLTAGGIO:

THERMAL RANGE OF APPLICATION:  
 THERMISCHER ANWENDUNGSBEREICH: -40°C...+70°C  
 PLAGE DE TEMPERATURE EN UTILISATION:  
 CAMPO TERMICO DI APPLICAZIONE:

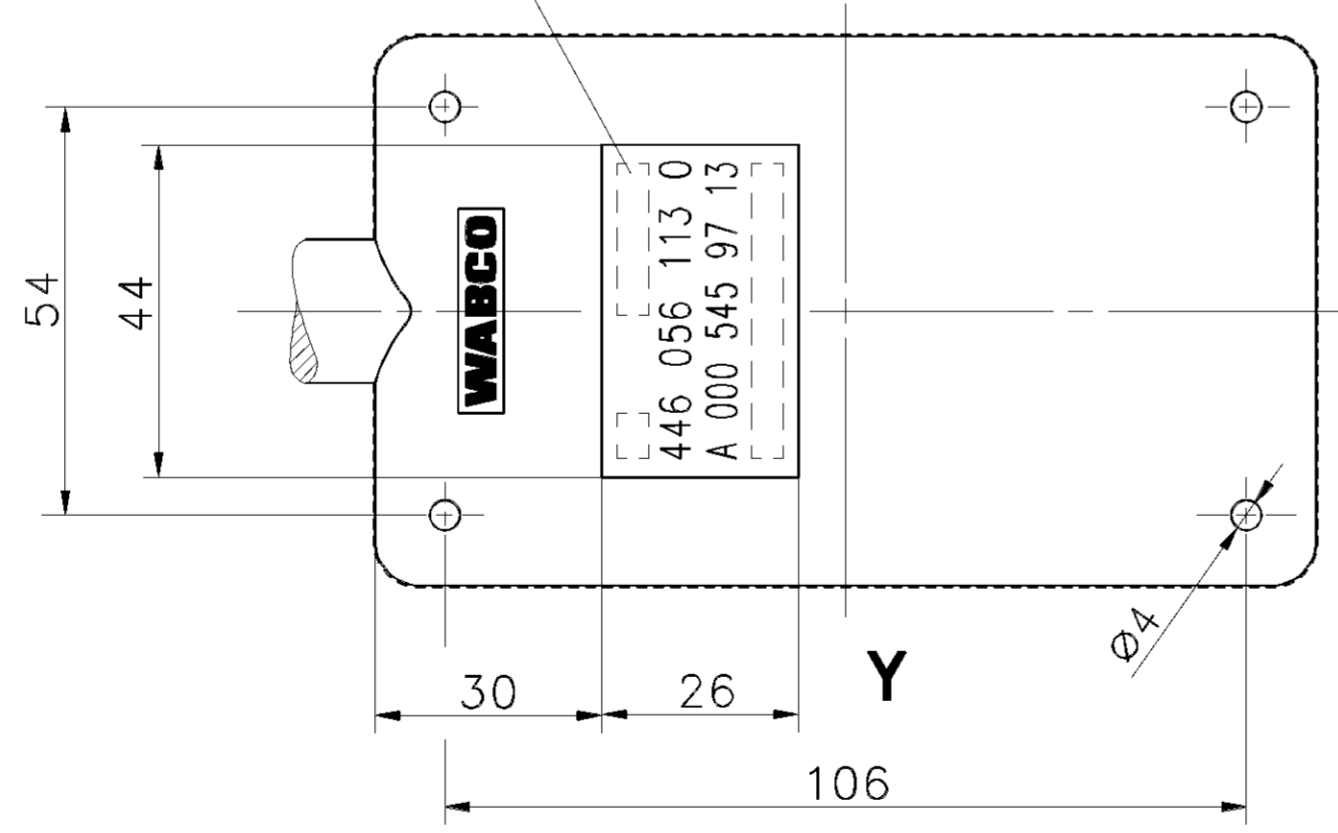
WORKING LENGTH ( STRECKED )  
 ARBEITSLAENGE ( GESTRECKT ) MAX. 2000 MM  
 LONGUEUR DE TRAVAIL ( CONNECTE )  
 LUNGHEZZA DI LAVARO ( STESO )

\*\* PULLRELIEF NECESSARY  
 KABELZUGENTLASTUNG ERFORDERLICH  
 ARRÊT DE CABLE NECESSAIRE  
 ARRESTO PER CAVO NECESSARIO

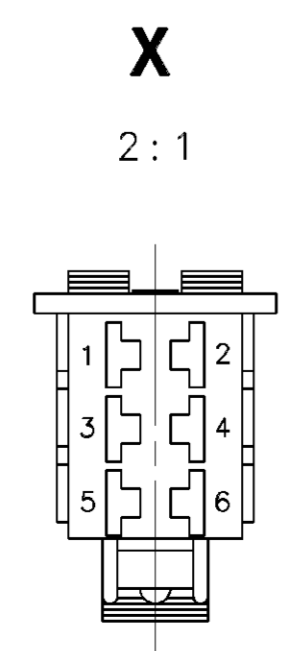
DATE OF MANUFACTURE:  
 HERSTELLDATUM: JED-226  
 DATE DE FABRICATION:  
 DATA DI FABRICAZIONE:

TYPE OF PROTECTION: EXCEPT CONNECTOR  
 SCHUTZART: IP 64 AUSSER STECKER (A)  
 MODE DE PROTECTION: SAUF CONNECTEUR  
 TIPO DI PROTEZIONE: ECCEPTE CONNETTORE

FURTHER TECHNICAL DATA SEE PRODUCT SPECIFICATION  
 WEITERE TECHNISCHE DATEN SIEHE PRODUKTSPEZIFIKATION  
 POUR AUTRES DONNEES TECHNIQUES VOIR PRODUCT SPECIFICATION  
 PER ULTERIORI DATI TECNICI VERDERE SPECIFICA DI PRODOTTO



- 1 +UB KL. 15
- 2 GROUND MASSE KL. 31
- 3 CLOCK TAKT
- 4 DATA DATEN



GENERAL SPECIFICATION: JED-334		CAD/CAM DRAWING COPYRIGHT	
FURTHER TECHNICAL DATA:		DATE:	SIGNATURE:
DOC. CODE:	SHEET: 10	DRAWN: 02-06-06 PFENNIG	
GENERAL TOLERANCES		CHECKED: 02-06-06 MEHNERT	
RANGE OF NOMINAL DIMENSIONS ( ± mm )		STANDARDIZATION:	
CLASS 1)	≤ 50	50 - 180	180 - 400
FINE	0.5	1.0	1.5
MEDIUM	1.0	2.0	3.0
COARSE	2.0	3.5	5.0
TAPPED HOLES ACC. ISO 4039 / JED-152		084309 3xA 02-11-08	
1) TOLERANCE CLASS APPLIED CROSSMARKED		DCN-NO.:	REV. DATE:
MASS SCALE		PRODUCT IDENTIFICATION NO.	
0.30	1:1	446 056 113 0	
KG	2:1	DOC. CODE	SHEET
SIZE	T.R.I.:	605	1/1
A 1	142	SHAPE CODE	REPLACEMENT FOR
EXPERT CODE 050		PRODUCT TYPE	