

GROUND COLOR: BLACK EXCEPT
 STOP KEY: RED
 GRUNDFARBE: SCHWARZ AUSSER
 STOPPTASTE: ROT
 COULEUR DE FOND: NOIR, A L'EXCEPTION DE
 TOUCHE STOP: ROUGE
 COLORE DE FONDO: NERO, A PARTE DI
 TASTO STOP: ROSSO

INDICATOR LAMPS: GREEN
 ANZEIGELAMPEN: GRUEN
 LAMPES TEMOIN: VERT
 SPIE LUMINOSE: VERDE

BACKLIGHTING: WHITE
 HINTERGRUNDBELEUCHTUNG: WEISS
 ECLAIRAGE DE FONDO: BLANC
 ILLUMINAZIONE DELLO SFONDO: BIANCO

SYMBOL: WHITE
 SYMBOL: WEISS
 SYMBOLE: BLANC
 SIMBOLI: BIANCO

ⓑ <2> STAMP: TOLERANCE OF POSITION $\pm 0.1 / \pm 2^*$
 AUFDRUCK: LAGETOLERANZ $\pm 0.1 / \pm 2^*$
 MARQUAGE: TOLERANCE DE POSITION $\pm 0.1 / \pm 2^*$
 STAMPIGLIATURA: TOLLERANZA DI POSIZIONE $\pm 0.1 / \pm 2^*$

SURFACE GRAINED ACCORDING TO:
 OBERFLAECHE GENARBT GEMAESS: JED-533-035 (VDI 3400 REF. 24) *
 SURFACE GRAINEE SELON: JED-533-038 (VDI 3400 REF. 33) **
 SUPERFICIE GRANITA SECONDO:

VOLTAGE:
 SPANNUNG: 24V $\pm 25\%$ DC
 VOLTAGE:
 VOLTAGGIO:

THERMAL RANGE OF APPLICATION:
 THERMISCHER ANWENDUNGSBEREICH: $-40^{\circ}\text{C} \dots +70^{\circ}\text{C}$
 CLASSE DE TEMPERATURE EN UTILISATION:
 CAMPO TERMICO DI APPLICAZIONE:

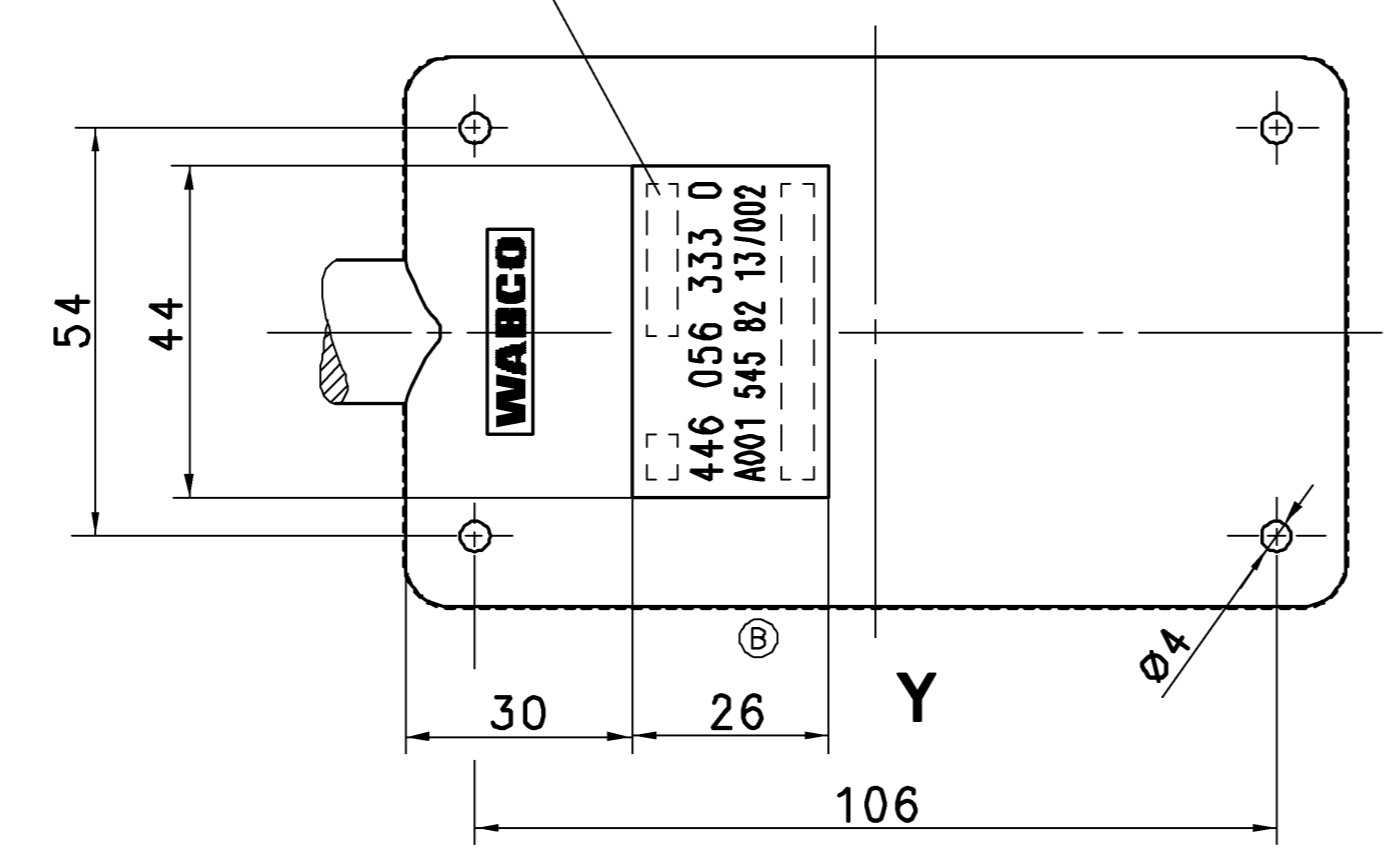
TYPE OF PROTECTION:
 SCHUTZART: IP 64
 MODE DE PROTECTION:
 TIPO DI PROTEZIONE:

FURTHER TECHNICAL DATA SEE PRODUCT SPECIFICATION
 WEITERE TECHNISCHE DATEN SIEHE PRODUKTSPEZIFIKATION
 POUR AUTRES DONNEES TECHNIQUES VOIR PRODUCT SPECIFICATION
 PER ULTERIORI DATI TECNICI VERDERE SPECIFICA DI PRODOTTO

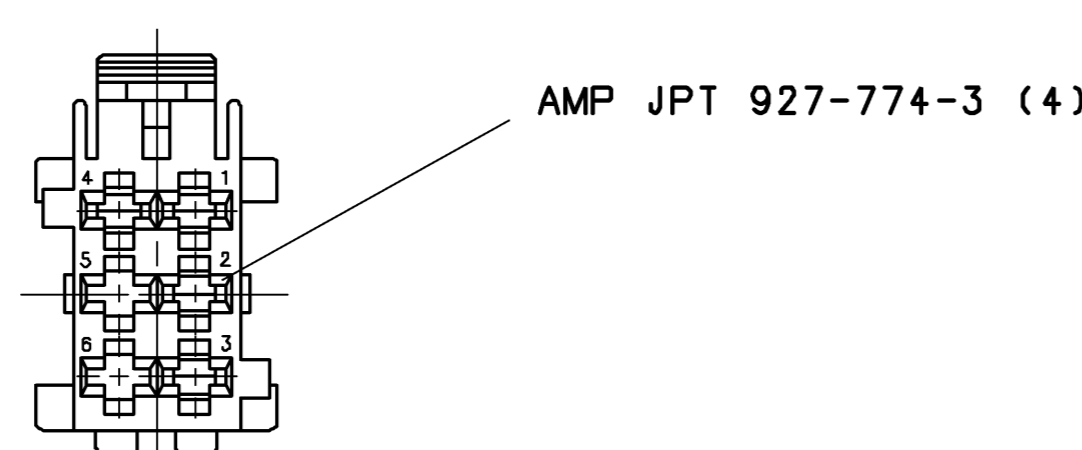
WORKING LENGTH (STRECKED)
 ** ARBEITSLAENGE (GESTRECKT)
 LONGUEUR DE TRAVAIL (CONNECTE)
 LUNGHEZZA DI LAVARO (STESO)

MAX. 2000 MM

DATE OF MANUFACTURE:
 HERSTELLDATUM: JED-226
 DATE DE FABRICATION:
 DATA DI FABRIZIONE:



X
 2:1



- 1 +UB KL. 15
- 2 GROUND MASSE KL. 31
- 3 CLOCK TAKT
- 4 DATA DATEN

General Specification: JED-334-0		Copyright WABCO		WABCO	
Further Technical Data:		Date:	07-09-07	Design:	PFENNIG
Doc. Code:		Sheet:	07-09-07	Checked:	HARTMANN
General Tolerances JED-261		HARTMANN		Material No.	
Class	1) ≤ 50	2) > 50	3) > 180	4) < 180	5) < 400
Fine	0.5	1.0	1.5	2.0	
Medium	1.0	2.0	3.0	4.0	
Coarse	2.0	3.5	5.0	6.5	
Tapped Holes acc.		A 1		CCD	
1) Tolerance Class Applied Crossmarked		ECN-No.		114415	
		Revisio		B	
		Techn. Resp.		6530_E	
		Replacement For			
		Doc. Code		005 ML 1/1	
		Language		1/1	
		Sheet			
		Date of first issue: 06-11-15			
		100mm			