

GROUND COLOR: BLACK EXCEPT
 STOP KEY: RED
 GRUNDFARBE: SCHWARZ AUSSER
 STOPPTASTE: ROT
 COULEUR DE FOND: NOIR, A L'EXCEPTION DE
 TOUCHE STOP: ROUGE
 COLORE DE FONDO: NERO, A PARTE DI
 TASTO STOP: ROSSO

INDICATOR LAMPS: GREEN
 ANZEIGELAMPEN: GRUEN
 LAMPES TEMOIN: VERT
 SPIE LUMINOSE: VERDE

BACKLIGHTING: WHITE
 HINTERGRUNDBELEUCHTUNG: WEISS
 ECLAIRAGE DE FONDO: BLANC
 ILLUMINAZIONE DELLO SFONDO: BIANCO

SYMBOL: WHITE
 SYMBOL: WEISS
 SYMBOLE: BLANC
 SIMBOLI: BIANCO

② <2> STAMP: TOLERANCE OF POSITION ±0.1 / ±2°
 AUFDRUCK: LAGETOLERANZ ±0.1 / ±2°
 MARQUAGE: TOLERANCE DE POSITION ±0.1 / ±2°
 STAMPIGLIATURA: TOLLERANZA DI POSIZIONE ±0.1 / ±2°

SURFACE GRAINED ACCORDING TO:
 OBERFLAECHE GENARBT GEMAESS: JED-533-035 (VDI 3400 REF. 24) **
 SURFACE GRAINEE SELON: JED-533-038 (VDI 3400 REF. 33) **
 SUPERFICIE GRANITA SECONDO:

VOLTAGE:
 SPANNUNG: 24V ± 25% DC
 VOLTAGE:
 VOLTAGGIO:

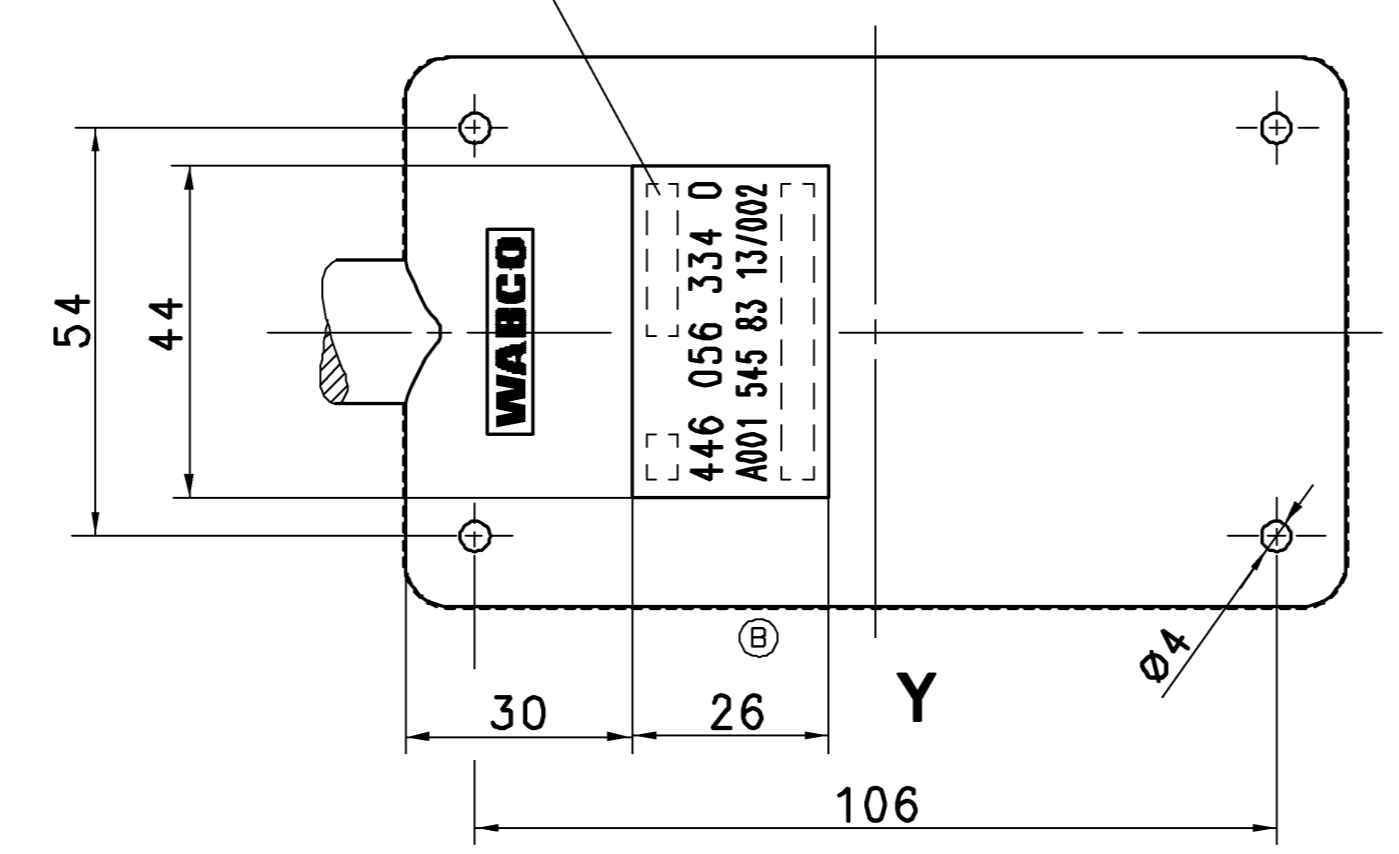
THERMAL RANGE OF APPLICATION:
 THERMISCHER ANWENDUNGSBEREICH: -40°C...+70°C
 PLAGE DE TEMPERATURE EN UTILISATION:
 CAMPO TERMICO DI APPLICAZIONE:

TYPE OF PROTECTION:
 SCHUTZART: IP 64
 MODE DE PROTECTION:
 TIPO DI PROTEZIONE:

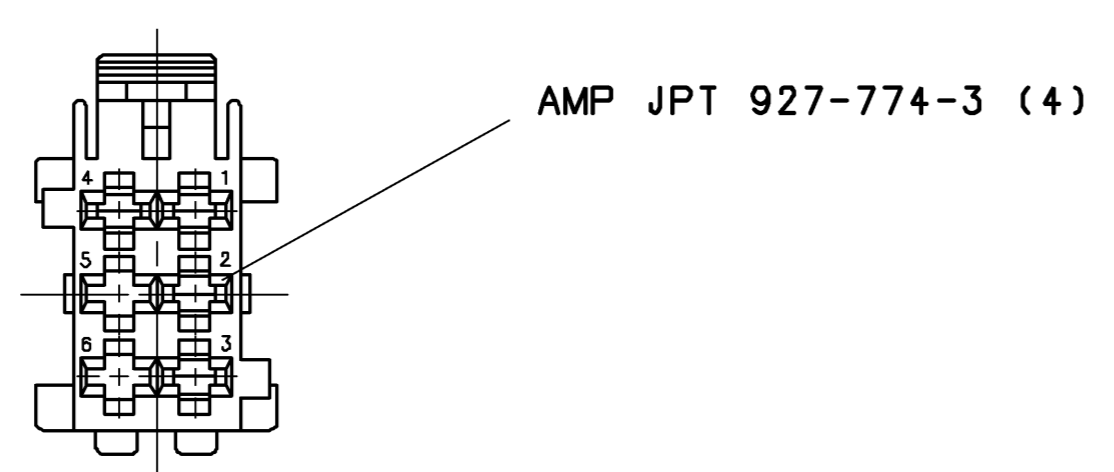
FURTHER TECHNICAL DATA SEE PRODUCT SPECIFICATION
 WEITERE TECHNISCHE DATEN SIEHE PRODUKTSPEZIFIKATION
 POUR AUTRES DONNEES TECHNIQUES VOIR PRODUCT SPECIFICATION
 PER ULTERIORI DATI TECNICI VERDERE SPECIFICA DI PRODOTTO

WORKING LENGTH (STRECKED)
 *** ARBEITSLAENGE (GESTRECKT) MAX. 2000 MM
 LONGUEUR DE TRAVAIL (CONNECTE)
 LUNGHEZZA DI LAVARO (STESO)

DATE OF MANUFACTURE:
 HERSTELLDATUM: JED-226
 DATE DE FABRICATION:
 DATA DI FABRIZIONE:



X
 2:1



- 1 +UB KL. 15
- 2 GROUND MASSE KL. 31
- 3 CLOCK TAKT
- 4 DATA DATEN

General Specification: JED-334-0		Copyright WABCO		WABCO	
Further Technical Data:		Date:	Drawn:	CONTROL ELEMENT	
Doc. Code:	Sheet: To	07-09-07	PFENNIG	BEDIENEINHEIT	
General Tolerances JED-261		Checked:		ELEMENT DE COMMANDE	
Range of Nominal Dimensions (± mm)		07-09-07		ELEMENTO DI COMANDO	
Class 1)	< 50	> 50 < 180	Expert:		
Fine	0.5	1.0	1.5	HARTMANN	
Medium	1.0	2.0	3.0	HARTMANN	
Coarse	2.0	3.5	5.0	HARTMANN	
Tapped Holes acc.		Mass	Scale	Material No.	
1) Tolerance Class Applied Crossmarked		0.30	1:1	446 056 334 0	
		1	2:1	Doc. Code Language Sheet	
		A 1	CCD	005 ML 1/1	
		1:144 15		ECN-No. Revisio Tech. Resp. Replacement List	
		B		6530_E	

This document is a technical drawing of a product. It is intended for use by the customer and the manufacturer. It is not to be used for any other purpose. The customer is responsible for the correct use of the product. The manufacturer is responsible for the quality of the product. The drawing is the property of the manufacturer and is not to be reproduced without its written consent.