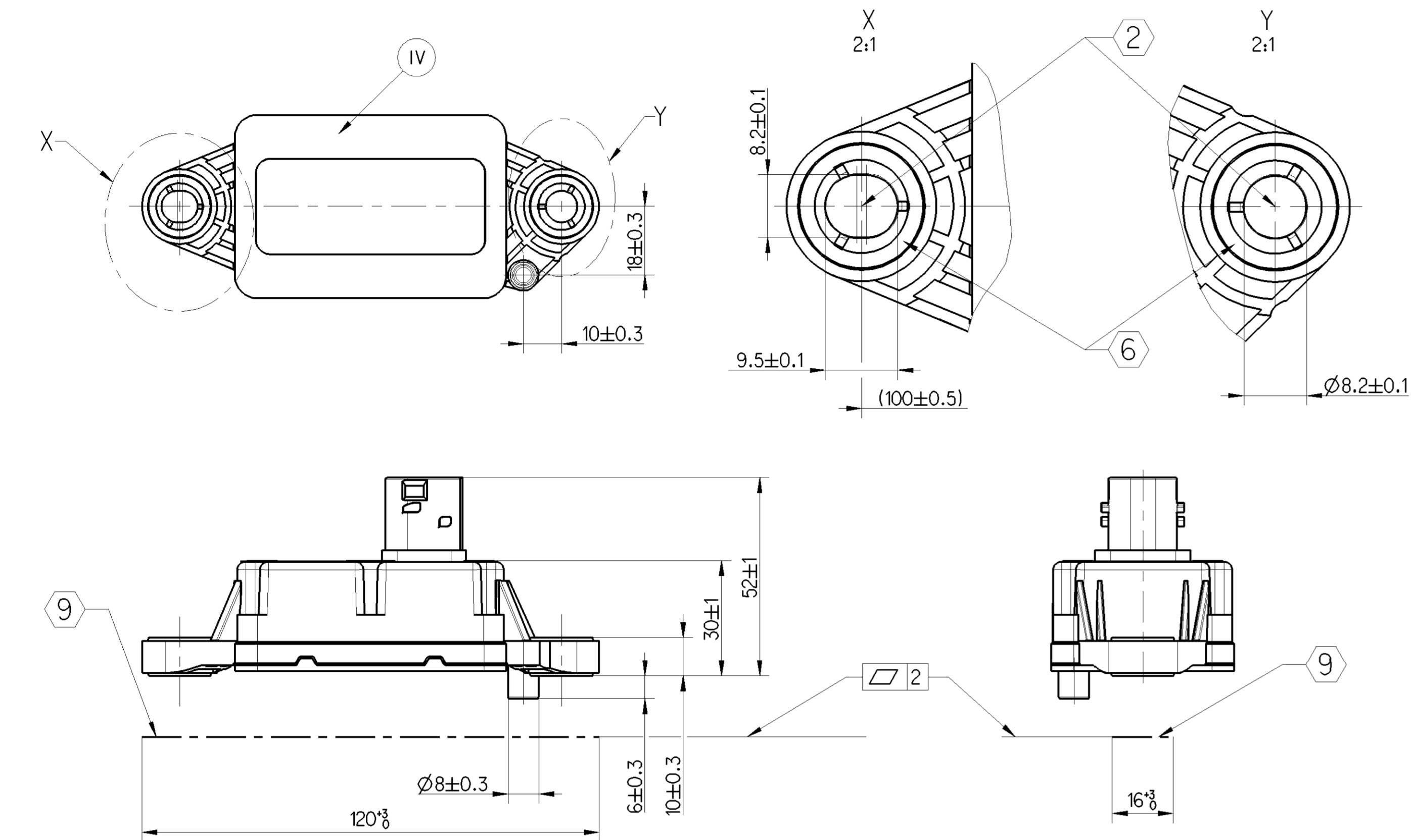


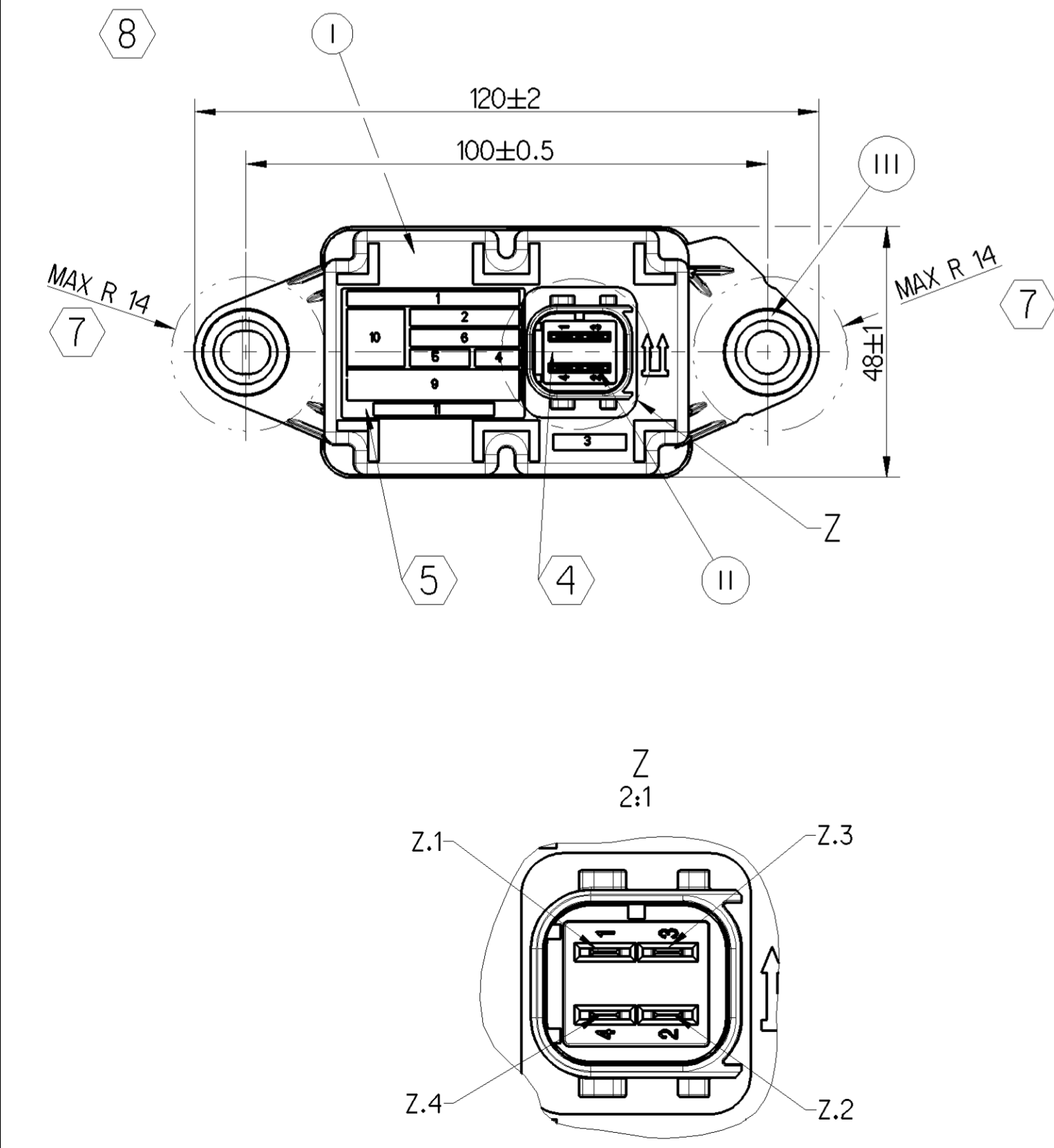
MATERIAL MATERIAL	SURFACE PROTECTION OBERFLAECHENSCHUTZ	
I PBT+SAN-GF20		
II CuSn4-H190	Ni1	≥ 0.5 μm
	Sn4 mt	≥ 2 μm
III DCO1-C390	ZnNi8f	≥ 8 μm
IV PBT-GF15		



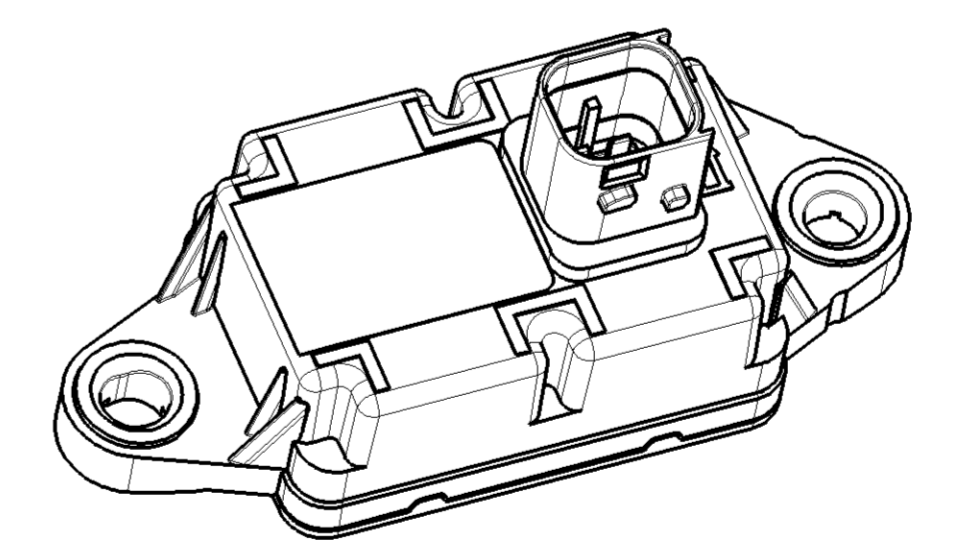
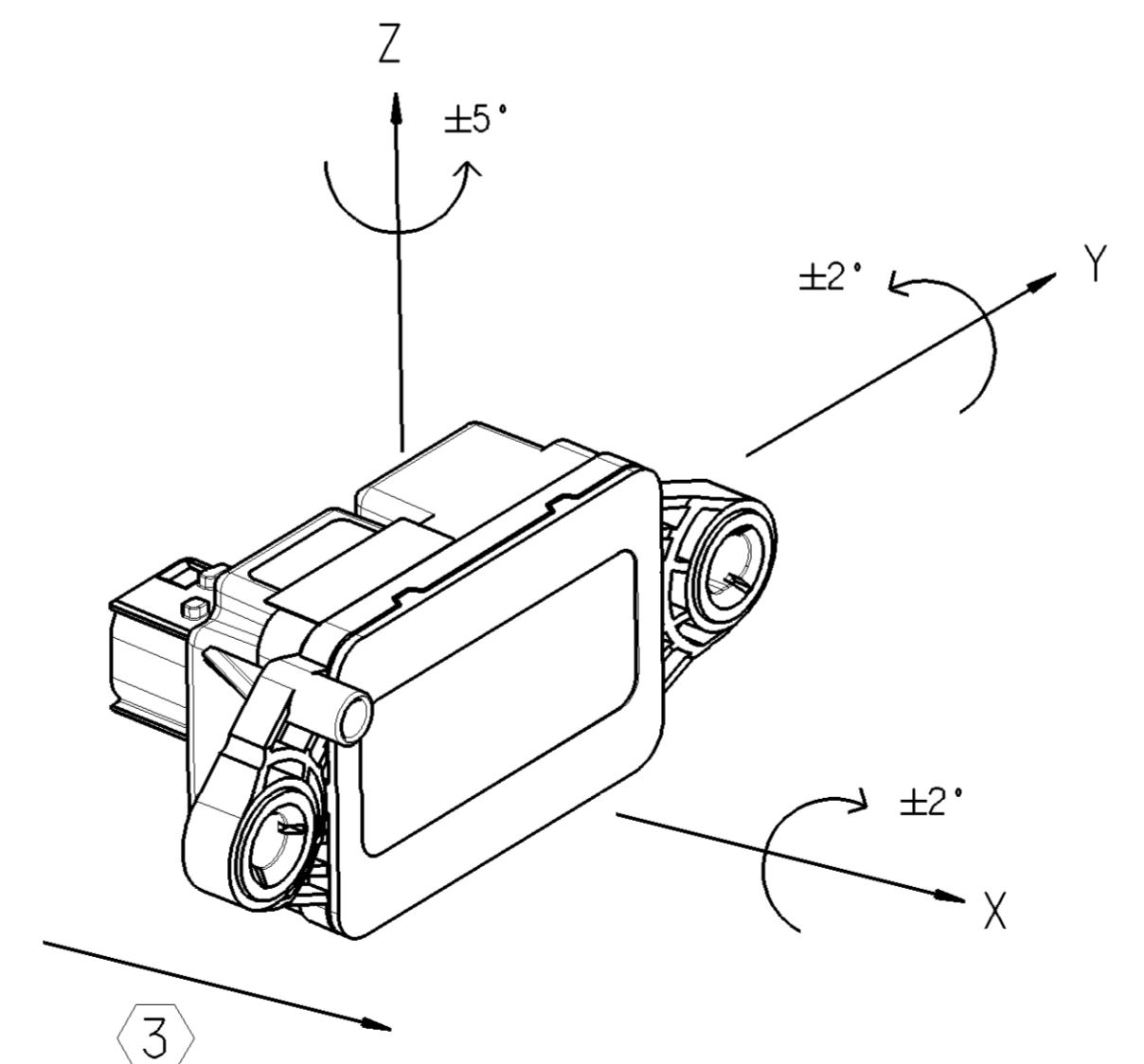
LABELING INFORMATION
TYPENSCHILD INFORMATION

1	CUSTOMER LOGO & CUSTOMER NO. KUNDENEMBLEM & KUNDEN NR.
2	WABCO WABCO
3	MANUFACTURING PLANT PRODUKTIONSSTAETTE
4	DATE OF MANUFACTURE WW/YY JED-226 HERSTELLDATUM
5	SERIAL NUMBER / SEE CCT FORTSCHRITZZAHL / SIEHE LEBENS-LAUFBLATT
6	WABCO IDENTIFICATION NUMBER WABCO IDENTIFIKATIONSNUMMER
9	INSPECTION MARK (E1) 10 R - 057244 PRUEFZEICHEN
10	DATA MATRIX (C) DATA MATRIX
11	COUNTRY OF ORIGIN WARENURSPRUNGSLAND

TYPE OF PROTECTION : SCHUTZART :	COMPLETE DEVICE WITH MOUNTED COUPLING ; KOMPLETTES GERAET MIT MONTIERTER KUPPLUNG :	IP 6K8 , IP 6K9K
TYPE OF PROTECTION : SCHUTZART :	COMPLETE DEVICE WITHOUT MOUNTED COUPLING ; KOMPLETTES GERAET OHNE MONTIERTE KUPPLUNG :	IP 6K7
	SHORT TERM RESISTANCE TO HEAT ; WITHOUT FUNCTION; KURZZEITIGE WAERMEBESTAENDIGKEIT ; OHNE FUNKTION:	MAX. 100 °C 2h
	SOFTWARE VERSION; SEE CONFIGURATION CONTROL TABLE SOFTWAREVERSION; SIEHE LEBENS-LAUFBLATT	
	THERMAL RANGE OF APPLICATION ; THERMISCHER ANWENDUNGSBEREICH :	-40 °C ... 90 °C
NOTE ; HINWEIS :	PLEASE DO NOT TOUCH THE MALE MULTIPOINT CONNECTOR CONTACTS KONTAKTSTIFTE BITTE NICHT BERUEHREN	
	DEVICE ONLY SHALL BE OPENED BY THE MANUFACTURER GERAET DARF NUR VOM HERSTELLER GEOEFFNET WERDEN	
(1)	FOR FURTHER TECHNICAL DATA SEE PRODUCT SPECIFICATION WEITERE TECHNISCHE DATEN SIEHE PRODUKTSPEZIFIKATION	
(2)	TORQUE ANZUGSMOMENT	20Nm +8Nm/-1.5Nm (2) (C)
	VOLTAGE TERMINAL SPANUNGS ANSCHLUSS	8... 32 V DC (1)
	TYP. CURRENT TERMINAL TYP. STROM ANSCHLUSS	(Z.1;Z.2) (C) max 120mA (1)
(3)	DRIVING DIRECTION ACCORDING TO ; FAHRTRICHTUNG GEMAESS ;	ISO 8855
(4)	CONNECTOR ACCORDING TO INTERFACE DRAWING ; STECKER GEMAESS SCHNITTSTELLENZEICHNUNG ;	858 000 852 4 , REV. "D"
	TYCO-DESIGN; TYCO-AUSFUEHRUNG:	C-114-18739-1, REV. "D"
	CODING; KODIERUNG:	A
(5)	SEE LABELING INFORMATION SIEHE TYPENSCHILD	
(6)	BEARING SURFACE AUFLAGEFLAECHE	
(7)	MAXIMUM FREE ZONE FOR ASSEMBLING MAXIMALE FREIZONE FUER DIE MONTAGE	
(8)	VIEW SHOWN WITHOUT PROTECTION FOIL DARSTELLUNG OHNE LACKIERSCHUTZFOLIE	
	ASSEMBLY INSTRUCTION SEE MONTAGEANWEISUNG SIEHE	446 065 085 0, DOC. CODE 092
(9)	CONTACT SURFACE CUSTOMER ANLAGEFLAECHE KUNDE	
	DEVICE DESIGNED FOR INSTALLATION ON THE VEHICLE FRAME GERAET IST FUR DEN RAHMENANBAU VORGESEHEN	(C)



DRIVING DIRECTION ACC. TO PARAMETER SETTING
FAHRTRICHTUNG GEM. PARAMETRIERUNG



(2)	CUSTOMER SIGNIFICANT CHARACTERISTICS WESENTLICHE MERKMALE	(1x)
-----	--	------

PORT ANSCHLUSS	FUNCTION FUNKTION
Z.1	GROUND MASSE
Z.2	UB UB
Z.3	CAN HIGH CAN HIGH
Z.4	CAN LOW CAN LOW

General Specification: JED-334-1, Size ISO 14405 LP		Copyright WABCO®	
Further Technical Data: 446 065 085 0		Date: 2017-02-20	Signature: [Blank]
Doc. Code: 035		Sheet: 1	To: X
General Tolerances JED-261			
Range of Nominal Dimensions (± mm)			
Class	1)	≤ 50	> 50 < 180
		≤ 180	≤ 400 > 400
Fine		0.5	1.0 1.5 2.0
Medium	X	1.0	2.0 3.0 4.0 ±3°
Coarse		2.0	3.5 5.0 6.5
Tapped Holes acc.			
1) Tolerance Class Applied Crossmarked			

Mass	0.100 kg	Scale	1:1 (2:1)
Size	A 1	CAD System	CREO
Material No.		Date of first issue: 2015-10-09	
446 065 085 0		005 ML 1/1	
ECN-No. 172642		Revision 7	
Techn. Resp. 6831		Replacement for	

Non e permesso copiare o riprodurre questo documento, ne utilizzare i contenuti o renderlo comunque noto a terzi senza permesso scritto dalla WABCO. E' vietata espressamente la ristampa o l'uso non autorizzato di questo documento. Toute reproduction ou utilisation non autorisee sans la permission ecrise de la WABCO est formellement interdite. Toute utilisation non autorisee de ce document est formellement interdite. All rights reserved. No part of this document may be reproduced or transmitted in any form or by any means electronic or mechanical, including photocopying, recording, or by any information storage and retrieval system, without the prior written permission of WABCO. All rights reserved. No part of this document may be reproduced or transmitted in any form or by any means electronic or mechanical, including photocopying, recording, or by any information storage and retrieval system, without the prior written permission of WABCO.