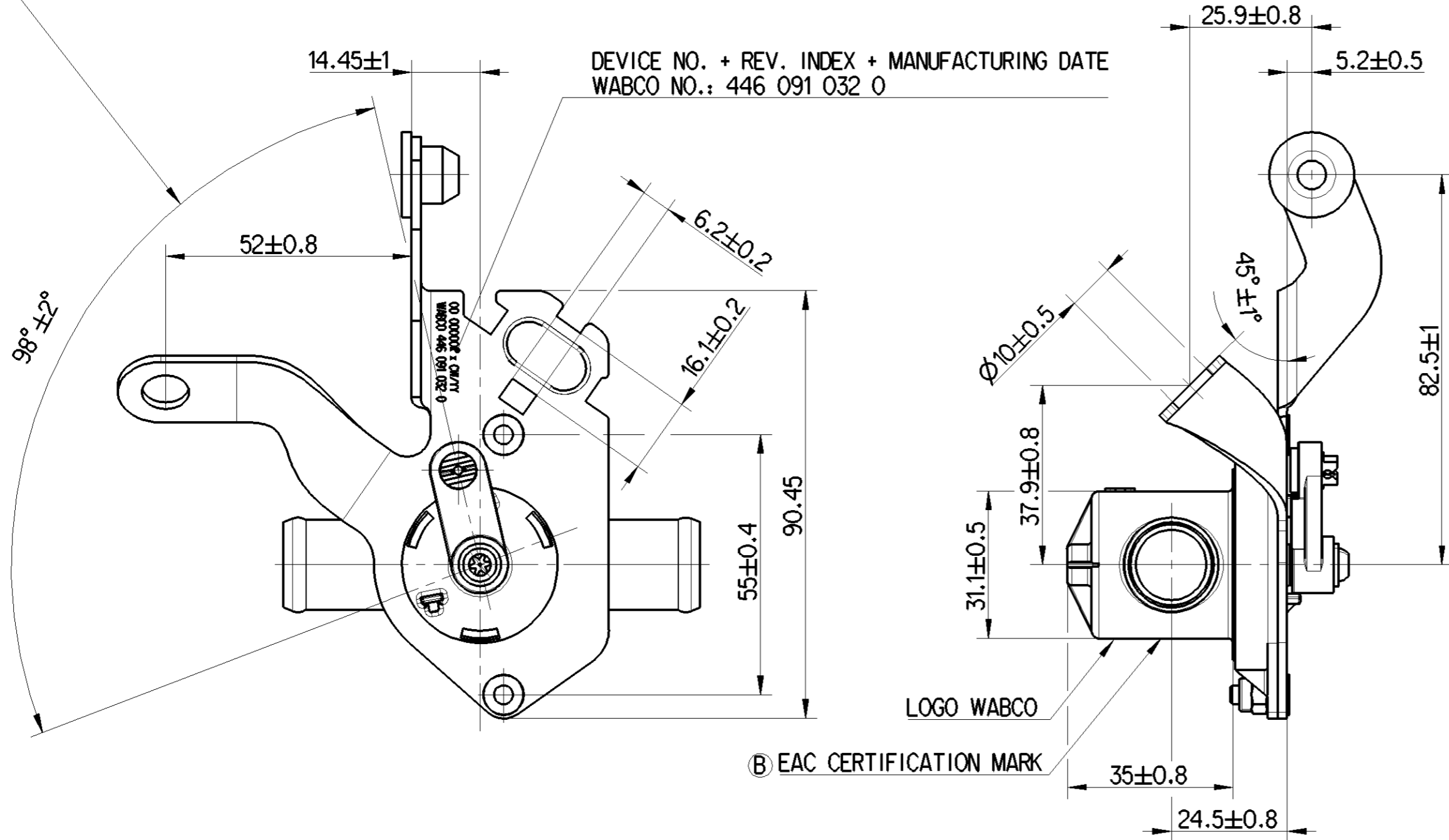


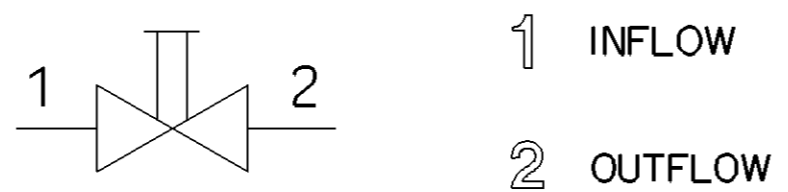
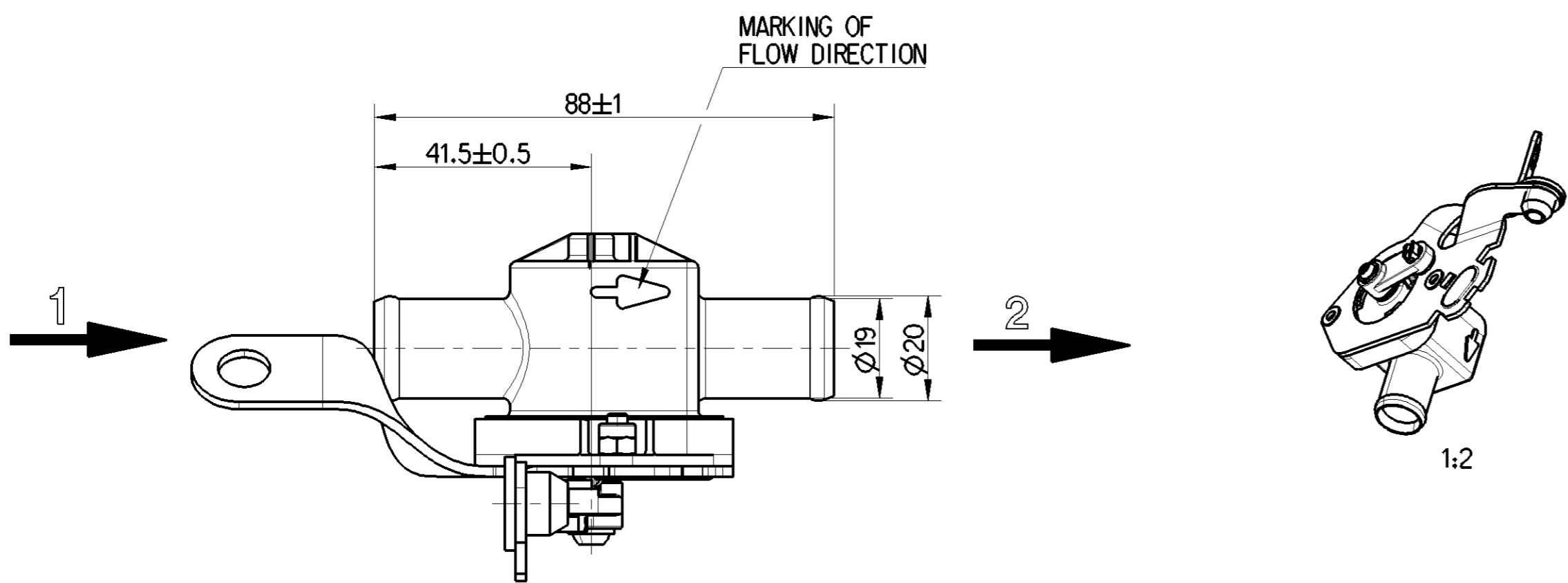
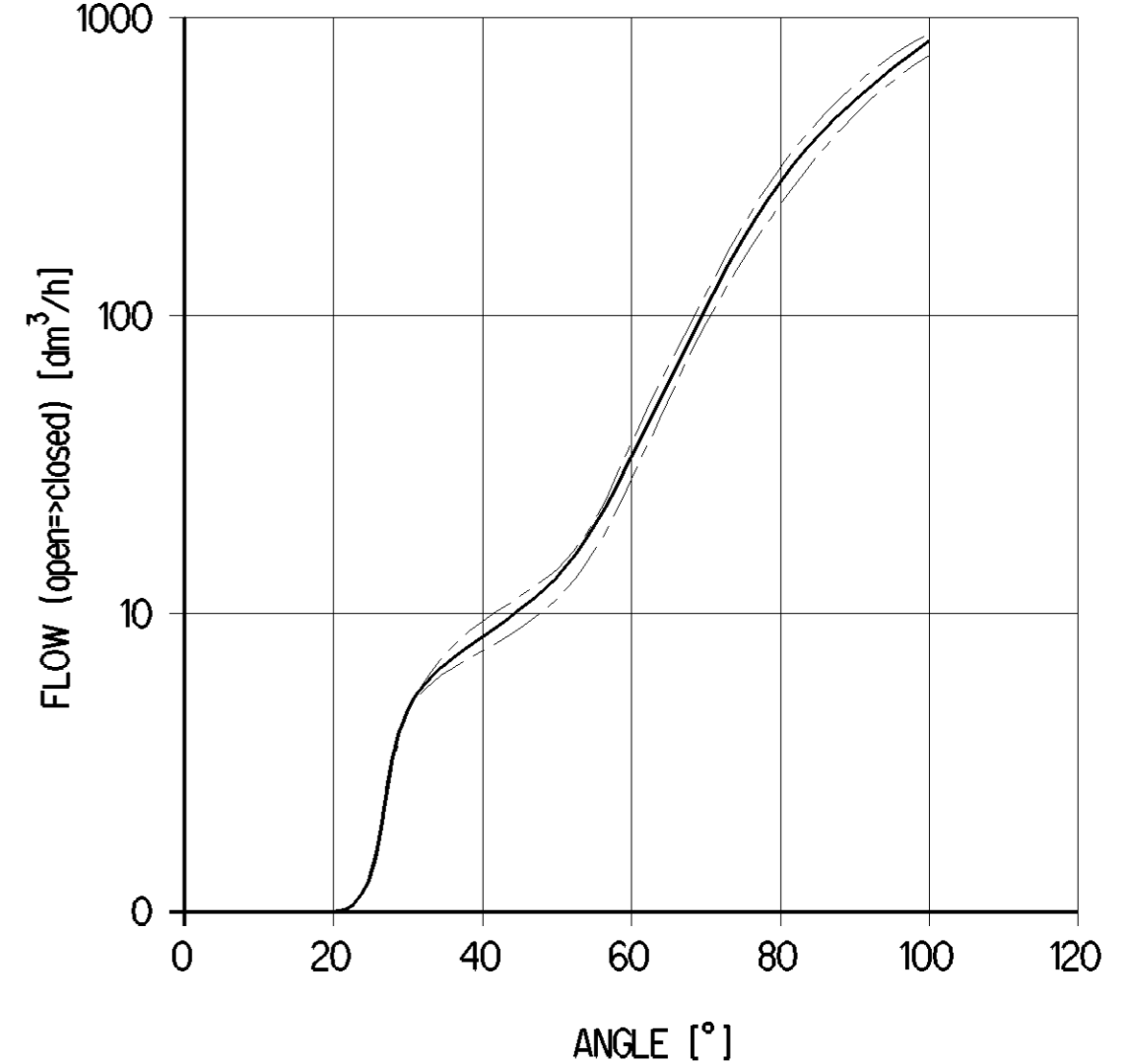
1 2 3 4 5 6 7 8 9 10 11 12

A
B

OPERATING ANGLE
(DRAWN IN CLOSED POSITION)



WORKING MEDIUM: ANTI-FREEZE - WATER MIXTURE G48 (OR G12) MAX 1:1
MEDIUM TEMPERATURE: -40 ... +120°C
AMBIENT TEMPERATURE: -40 ... +80°C
PERMISSIBLE EXCESS PRESSURE: 2.0 bar (50.000 CYCLES 0.5 ... 3.0 bar AT +90°C FLUID TEMPERATURE)
FLOW RATE: SEE DIAGRAM
OPERATING TORQUE: ≤ 30 Ncm



Non e permesso, connessime, o terzi, o riprodurre questo documento, ne utilizzare il contenuto o renderlo comunque noto o terzi senza autorizzazione esplicita. Ogni infrazione costituisce un evidente abuso e comporterà il risarcimento dei danni subiti. E' fatta riserva di tutti i diritti derivanti da brevetti o modelli.

Copying of this document and giving it to others and the use or communication of the contents thereof, are forbidden without express authority. Contention of this restriction will constitute an evident abuse and result in a liability to the payment of damages. All rights are reserved in the event of the grant of patent or registration of a utility model or design. This document is the subject of copyright.

Tout réimpression ou reproduction de ce document, toute exploitation ou communication de son contenu sont interdites, sauf autorisation expresse. Tout manquement à cette règle constitue un abus évident et entraînera le versement de dommages et intérêts. Tous droits de propriété industrielle réservés, notamment en matière de brevets et de modèles.

Wiederholungs sowie Vervielfältigung dieser Unterlagen, Verwertung und Mitteilung ihres Inhalts nicht gestattet, soweit nicht ausdrücklich ansonsten, zweckmäßigsten, weitergegebenen, stellen eine offensichtliche Missbrauch dar und verpflichten zu Schadensersatz. Alle Rechte für den Fall der Patenterteilung oder Gebrauchsmuster-Eintragung vorbehalten.

General Specification: JED-334-1, Size ISO 14405 LP		Copyright WABCO®		WABCO		
Further Technical Data: 4460910320		Date	Signature	WATER VALVE		
Doc. Code: 035	Sheet: 1 To 7	2019-03-19	Kolkowski			
General Tolerances JED-261		Checked		2019-03-25 Marcinkiewicz		
Range of Nominal Dimensions (± mm)		Expert		Kolkowski		
Class	1)	≤ 50	> 50 ≤ 180	> 180 ≤ 400	> 400	±3°
Fine	X	0.5	1.0	1.5	2.0	
Medium		1.0	2.0	3.0	4.0	
Coarse		2.0	3.5	5.0	6.5	
Tapped Holes acc. -		Mass	Scale	Material No.		Date of first issue: 2018-12-05
1) Tolerance Class Applied Crossmarked		0.142 Kg	1:1 (1:2)	446 091 032 0		Doc.Code Language Sheet
		A 2	CREO	ECN-No.	Revision	Techn. Resp.
				501027	1 x B	6570_AM

100mm

A
B

C
D
E

F
G

H