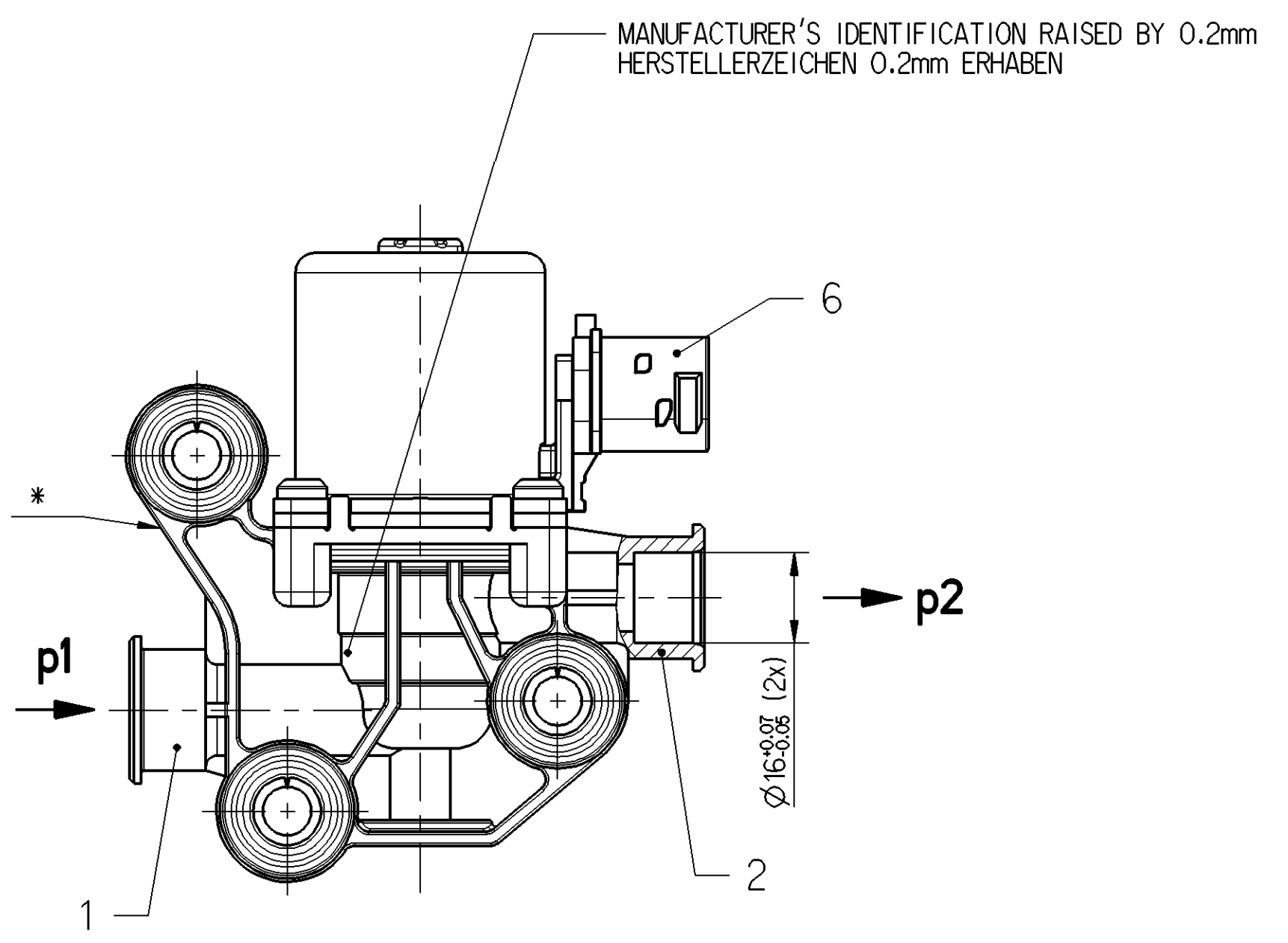
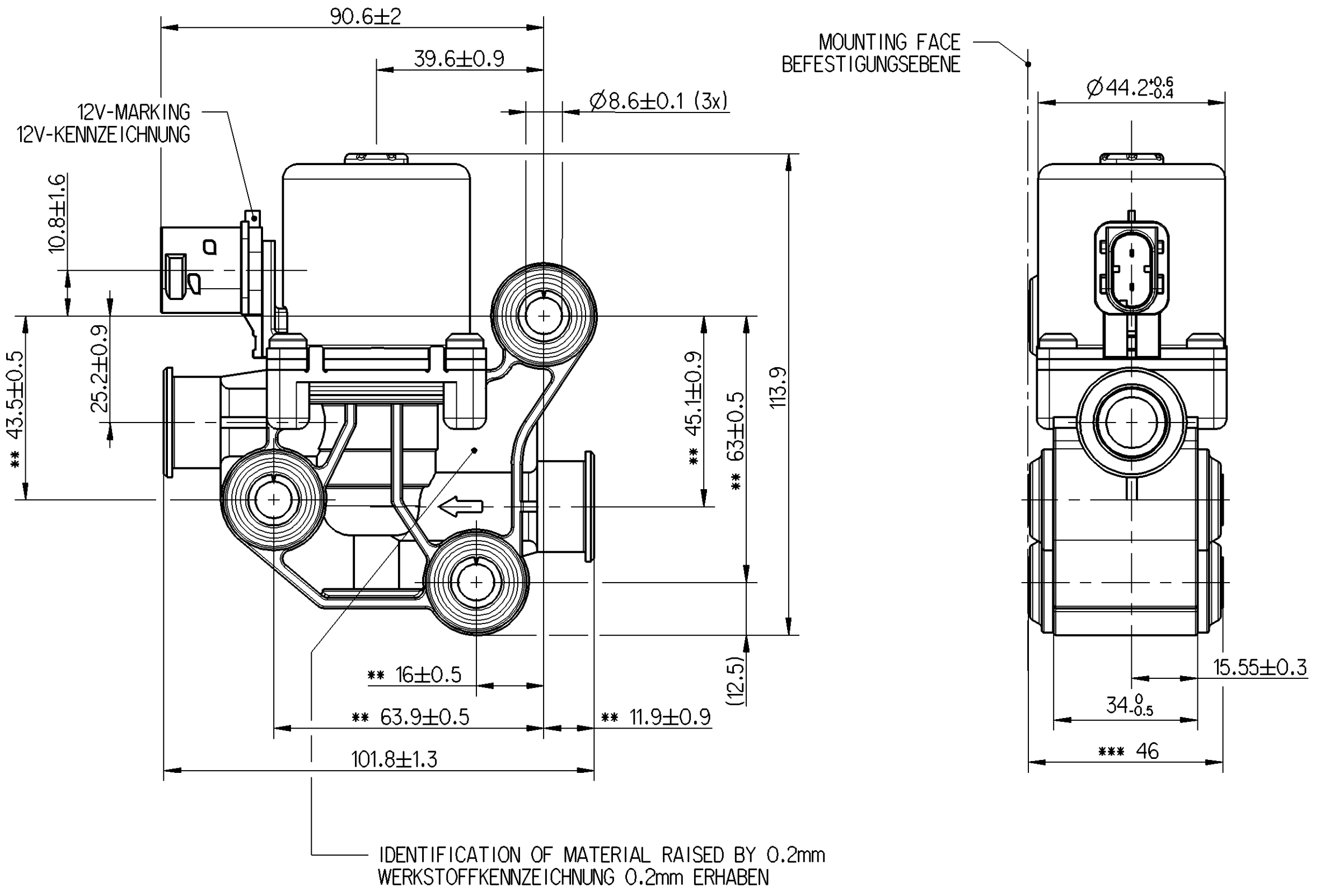


Toute communication ou reproduction de ce document, toute exploitation ou communication de son contenu sont interdites, sauf autorisation écrite de la Direction des Services Techniques. Toute réimpression ou utilisation non autorisée sans la permission écrite de la Direction des Services Techniques est formellement interdite.
 Nachdruck, Vervielfältigung und Verbreitung, auch auszugsweise, ist ohne schriftliche Genehmigung der WABCO.
 This document is the property of WABCO. All rights reserved. No part of this document may be reproduced or transmitted in any form or by any means electronic or mechanical, including photocopying and recording, or by any information storage or retrieval system, without permission in writing from WABCO.
 Non è permesso copiare o riprodurre questo documento, né utilizzare il contenuto o comunicarlo a terzi senza permesso scritto dalla Direzione dei Servizi Tecnici. È vietata espressamente la ristampa o l'uso non autorizzato senza permesso scritto dalla Direzione dei Servizi Tecnici.
 Copying of this document and giving it to others and the use or communication of the contents thereof, are forbidden without express written permission of the Direction of Technical Services. Any reprinting or unauthorized use without the written permission of the Direction of Technical Services is expressly prohibited.
 Reproduction or communication of the contents of this document or the use or communication of the contents thereof, are forbidden without express written permission of the Direction of Technical Services. Any reprinting or unauthorized use without the written permission of the Direction of Technical Services is expressly prohibited.
 All rights reserved. No part of this document may be reproduced or transmitted in any form or by any means electronic or mechanical, including photocopying and recording, or by any information storage or retrieval system, without permission in writing from WABCO.



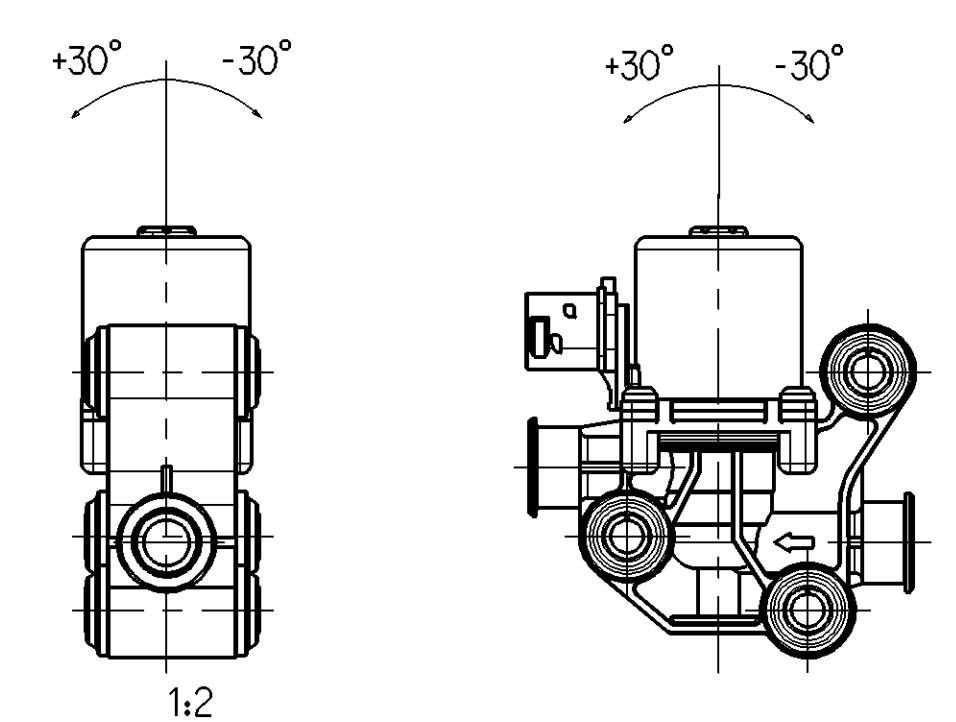
- 1 INLET ZUFLUSS
 - 2 OUTLET ABFLUSS
 - 6 ELECTRIC CONNECTOR
- WATER CONNECTION ACCORDING TO: VOSS AUS/ SV246 NG12 KU
 WASSERANSCHLÜSSE GEMÄSS : EXTENDED TOLERANCE OF Ø16
- ELECTRIC CONNECTOR : TYCO HDSCS, 3-POLE (PIN 2 NOT EXISTING), CODING A,
 ELEKTRISCHER ANSCHLUSS : OUTLINE ACC. TO 858 000 853 4 (TYCO C-114-18743-1, REV. D)

TERMINAL PLATING: TIN

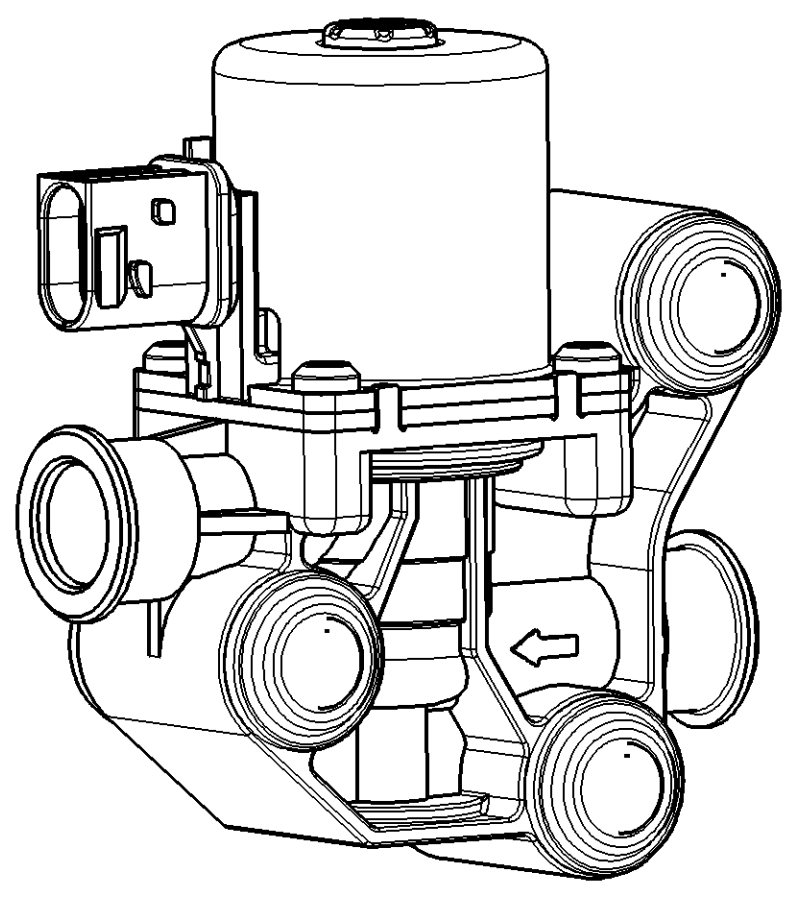
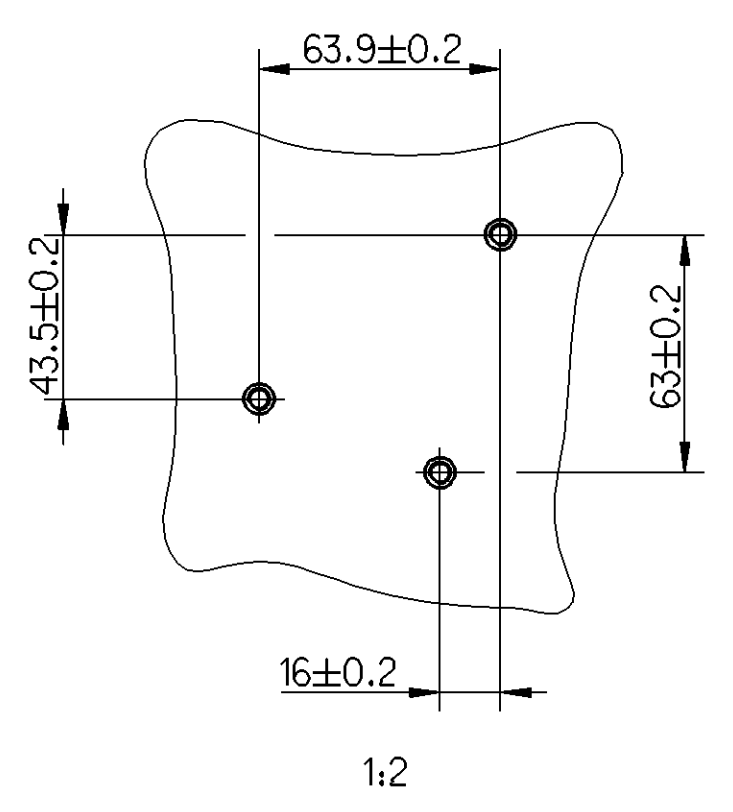
PIN	OPTIONAL
1	+ -
3	- +

NOMINAL VOLTAGE: NENNSPANNUNG: 12V DC
 PERMISSIBLE OPERATING VOLTAGE: ZULÄSSIGE BETRIEBSPANNUNG: 11...16V DC
 NOMINAL CURRENT AT 12V AND 20°C: NENNSTROM BEI 12V UND 20°C: 1.1 A
 WORKING MEDIUM : ANTI-FREEZE-WATER MIXTURE G48, OPTIONAL G12
 BETRIEBSMEDIUM : FROSTSCHUTZ-WASSER-GEMISCH G48, WAHLWEISE G12 } MAX. 1:1
 THERMAL RANGE OF APPLICATION: THERMISCHER ANWENDUNGSBEREICH: -40°C...+105°C
 COOLANT TEMPERATURE: KUEHLWASSTERTEMPERATUR: -40°C...+125°C
 DUTY CYCLE: EINSCHALTDAUER: 100% ED
 OPERATING PRESSURE (p1): BETRIEBSDRUCK (p1): 0..2.5 bar
 MAX. DIFFERENTIAL PRESSURE (p1-p2): MAX. DIFFERENZDRUCK (p1-p2): 0..1.6 bar
 FLOW RATE: DURCHFLUSS: 350l/h AT (p1-p2) = 75 mbar
 DEGREE OF PROTECTION: SCHUTZART: IP 6K9K DIN 40050 WHEN INSTALLED IM EINGEBAUTEN ZUSTAND
 TIGHTENING TORQUE OF THE FASTENING SCREW (3x): ANZIEHDREHMOMENT DER BEFESTIGUNGSSCHRAUBE (3x): M ≤ 20 Nm
 WABCO-20-JED-369, PART NUMBER, NO. PRI, NOMINAL CURRENT,
 * NOMINAL VOLTAGE AND MANUFACTURING DATE
 WABCO-20-JED-369, TEILENUMMER, PRI-NR., NENNSTROM,
 NENNSPANNUNG UND HERSTELLDATUM
 ** MEASURED ON INDIVIDUAL COMPONENT GEMESSEN AM EINZELTEIL
 *** INSTALLED CONDITION EINGEBAUTER ZUSTAND

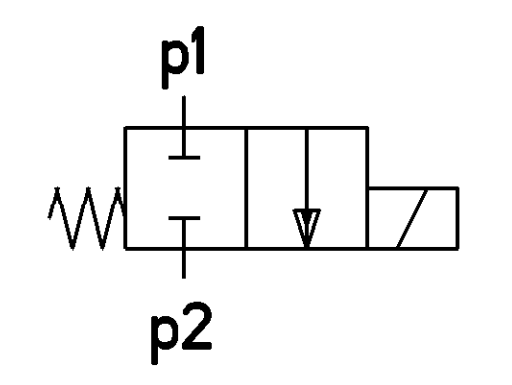
INSTALLATION POSITION
EINBAULAGE



CONNECTING HOLE PATTERN
ANSCHLUSSLOCHBILD



FUNCTION SCHEME/ FUNKTIONSSCHEMA



General Specification: JED-334-0		Copyright WABCO®		WABCO	
Further Technical Data: 446 091 303 0		Date	Drawn	Signature	
Doc. Code: 035	Sheet: 1	2014-02-11	Herzberg	WATERVALVE WASSERVENTIL	
General Tolerances JED-261		Checked	2014-02-11	Hoefler	
Range of Nominal Dimensions (± mm)		Expert		Herzberg	
Class	1)	≤ 50	> 50 ≤ 180	> 180 ≤ 400	> 400
Fine	X	0.5	1.0	1.5	2.0
Medium		1.0	2.0	3.0	4.0
Coarse		2.0	3.5	5.0	6.5
Tapped Holes acc.:		Scale		Material No.	
1) Tolerance Class Applied Crossmarked		A 1		446 091 303 0	
		Pro/E		Date of first issue: 2008-10-13	
		ECH-No. 163695		Doc.Code 005	
		Revision 1 x C		Language DE	
		Tech. Resp. 6570_EM		Sheet 1/1	
				Replacement for	