

IDENTIFICATION OF MATERIAL RAISED BY 0.2mm
WERKSTOFFKENNZEICHNUNG 0.2mm ERHABEN

- 1 INLET ZUFLUSS
 - 2 OUTLET ABFLUSS
 - 6 ELECTRIC CONNECTOR
- WATER CONNECTION ACCORDING TO:
WASSERANSCHLÜSSE GEMÄSS : NORMA E1918 - NW12
- ELECTRIC CONNECTOR : TYCO HDSCS, 3-POLE (PIN 2 NOT EXISTING), CODING A.
ELEKTRISCHER ANSCHLUSS : OUTLINE ACC. TO 858 000 853 4 (TYCO C-114-18743-1, REV. D)

TERMINAL PLATING: TIN

PIN	OPTIONAL
1	+ -
3	- +

NOMINAL VOLTAGE: 24V DC
NENNSPANNUNG: 24V DC

PERMISSIBLE OPERATING VOLTAGE: 22...32V DC
ZULÄSSIGE BETRIEBSPANNUNG: 22...32V DC

NOMINAL CURRENT AT 24V AND 20°C: 0.75 A
NENNSTROM BEI 24V UND 20°C: 0.75 A

WORKING MEDIUM : ANTI-FREEZE-WATER MIXTURE G48, OPTIONAL G12
BETRIEBSMEDIUM : FROSTSCHUTZ-WASSER-GEMISCH G48, WAHLWEISE G12 } MAX. 1:1

THERMAL RANGE OF APPLICATION: -40°C...+105°C
THERMISCHER ANWENDUNGSBEREICH: -40°C...+105°C

COOLANT TEMPERATURE: -40°C...+125°C
KUEHLWASSTERTEMPERATUR: -40°C...+125°C

DUTY CYCLE: 100% ED
EINSCHALTDAUER: 100% ED

OPERATING PRESSURE (p1): 0..2.5 bar
BETRIEBSDRUCK (p1): 0..2.5 bar

MAX. DIFFERENTIAL PRESSURE (p1-p2): 0..1.6 bar
MAX. DIFFERENZDRUCK (p1-p2): 0..1.6 bar

FLOW RATE: 350l/h AT (p1-p2) = 75 mbar
DURCHFLUSS: 350l/h AT (p1-p2) = 75 mbar

DEGREE OF PROTECTION: IP 6K9K DIN 40050 WHEN INSTALLED
SCHUTZART: IP 6K9K DIN 40050 IM EINGEBAUTEN ZUSTAND

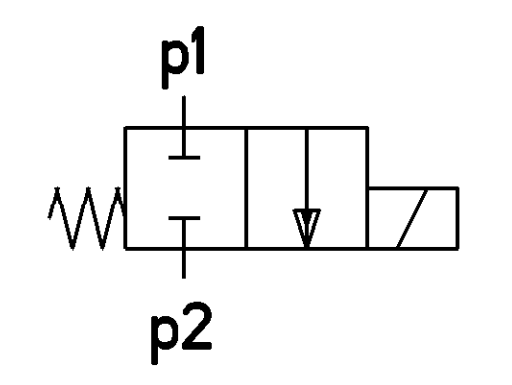
TIGHTENING TORQUE OF THE FASTENING SCREW (3x):
ANZIEHDREHMOMENT DER BEFESTIGUNGSSCHRAUBE (3x): M ≤ 20 Nm

WABCO-20-JED-369, PART NUMBER, NO. PRI, NOMINAL CURRENT,
* NOMINAL VOLTAGE AND MANUFACTURING DATE
WABCO-20-JED-369, TEILENUMMER, PRI-NR., NENNSTROM,
NENNSPANNUNG UND HERSTELLDATUM

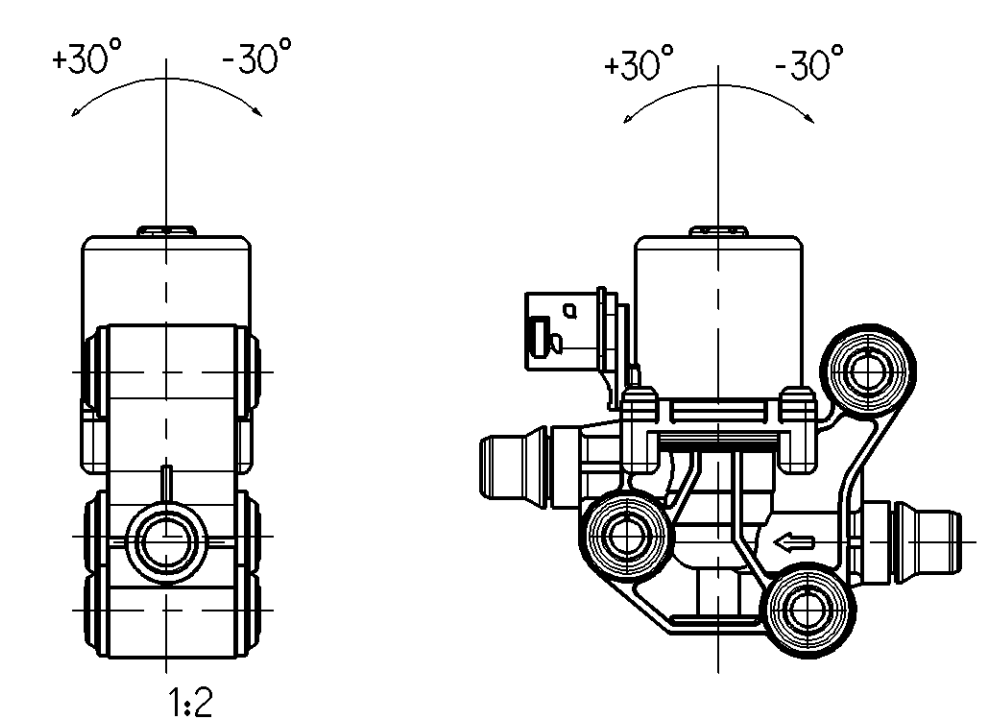
** MEASURED ON INDIVIDUAL COMPONENT
GEMESSEN AM EINZELTEIL

*** INSTALLED CONDITION
EINGEBAUTER ZUSTAND

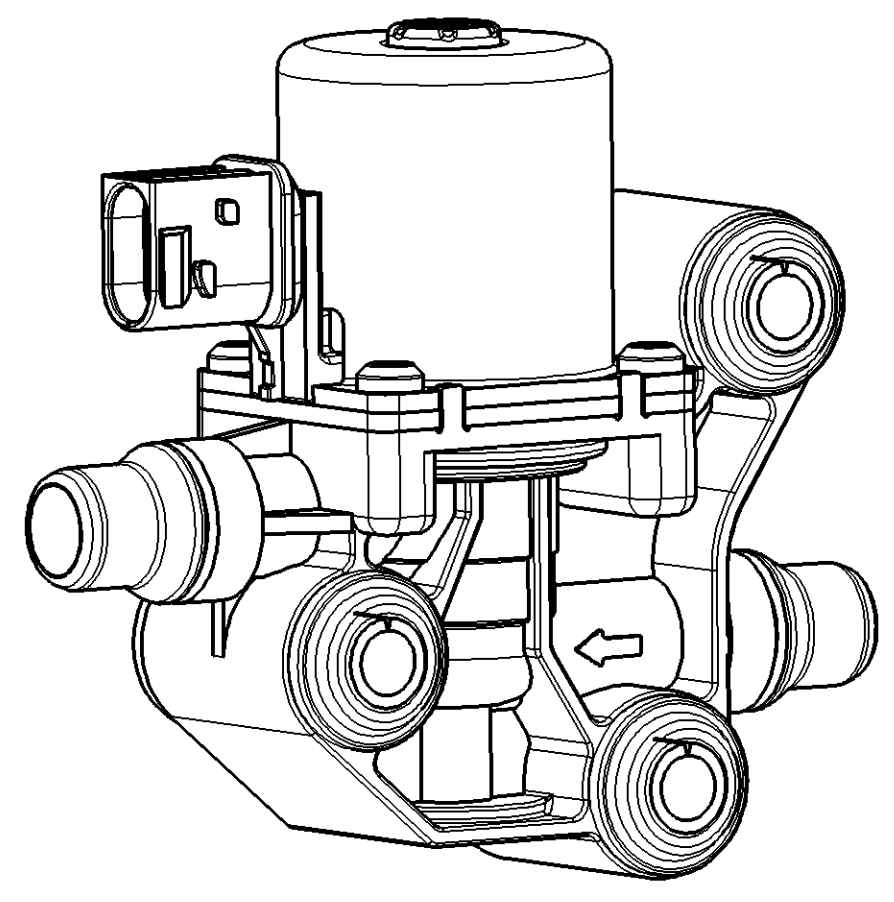
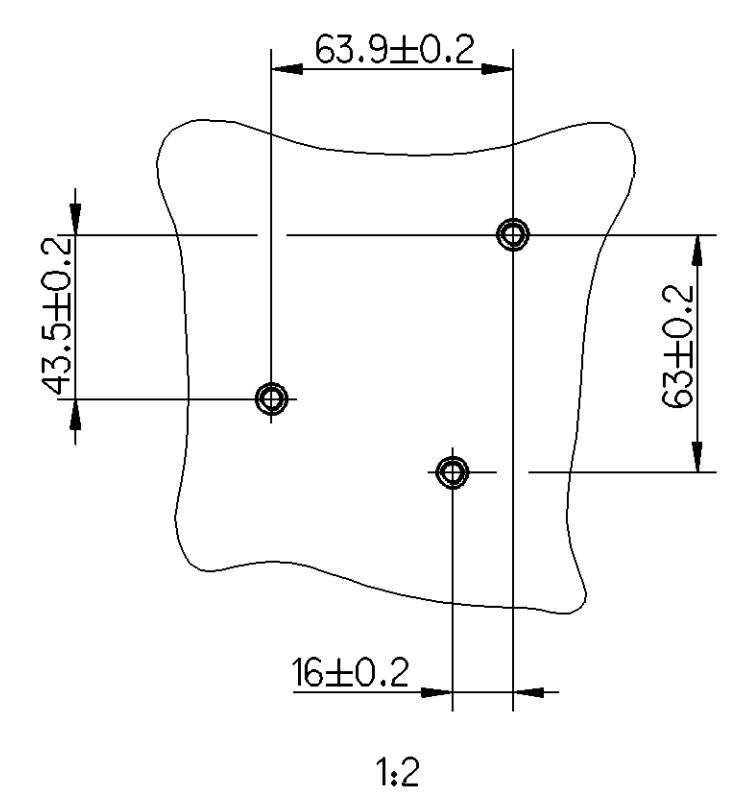
FUNCTION SCHEME/ FUNKTIONSSCHEMA



INSTALLATION POSITION
EINBAULAGE



CONNECTING HOLE PATTERN
ANSCHLUSSLOCHBILD



General Specification: JED-334-0		Copyright WABCO®		WABCO	
Further Technical Data: 446 091 306 0		Date	Signature	WATERVALVE WASSERVENTIL	
Doc. Code: 035	Sheet: To	2014-02-11	Herzberg		
General Tolerances JED-261		2014-02-11	Hoefler		
Range of Nominal Dimensions (± mm)		Expert			
		Herzberg			
Class	1)	≤ 50	> 50 ≤ 180	> 180 ≤ 400	> 400
Fine	X	0.5	1.0	1.5	2.0
Medium		1.0	2.0	3.0	4.0
Coarse		2.0	3.5	5.0	6.5
Tapped Holes acc.		ECH-No.		Revision	Techn. Resp.
1) Tolerance Class Applied Crossmarked		A 1	Pro/E	163695	1 x C
		Material No.		Date of first issue	2006-11-06
		446 091 306 0		Doc.Code	005
				Language	ML
				Sheet	1/1
				Replacement for	
				6570_EM	
				100mm	

Toute communication ou reproduction de ce document, toute exploitation ou communication de son contenu sont interdites, sauf autorisation écrite de WABCO. Toute violation de ces conditions sera poursuivie conformément aux lois, décrets, ordonnances, arrêtés, décisions judiciaires et administratives ainsi qu'aux dispositions du droit de propriété intellectuelle.

Non è permesso copiare o riprodurre questo documento, né utilizzare il contenuto in nessun modo, senza permesso scritto di WABCO. Qualsiasi violazione di queste condizioni sarà perseguita secondo le leggi, i decreti, le ordinanze, gli arresti, le decisioni giudiziarie e amministrative, nonché le disposizioni del diritto di proprietà intellettuale.

Copying of this document and giving it to others and the use or communication of the contents thereof, are forbidden without express written permission of WABCO. Any violation of these conditions will be prosecuted in accordance with the laws, decrees, ordinances, orders, court decisions and administrative decisions, as well as the provisions of copyright law.

Nachdruck, Vervielfältigung und Verbreitung, auch auszugsweise, ist ohne schriftliche Genehmigung der WABCO AG.

All rights reserved. No part of this publication may be reproduced, stored in a retrieval system, or transmitted, in any form or by any means, electronic, mechanical, photocopying, recording, or by any information storage and retrieval system, without prior written permission from WABCO.