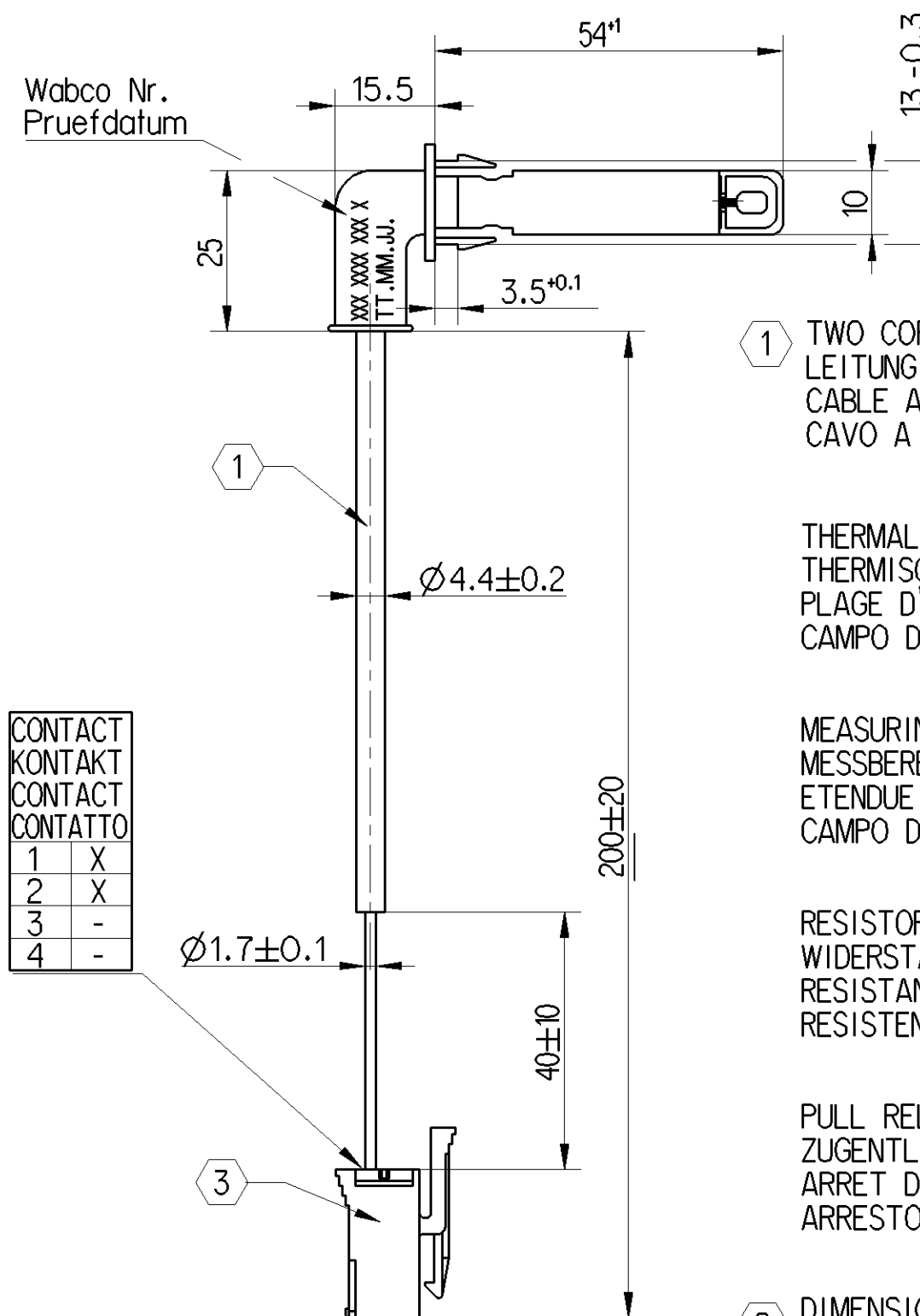
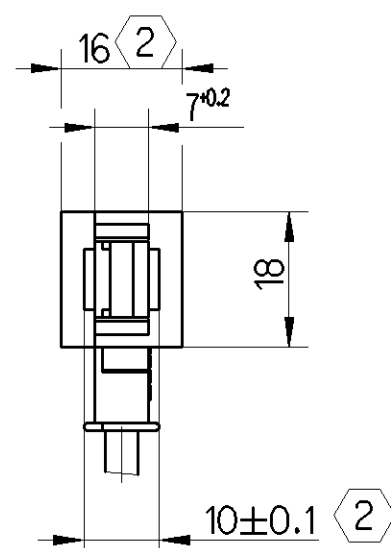
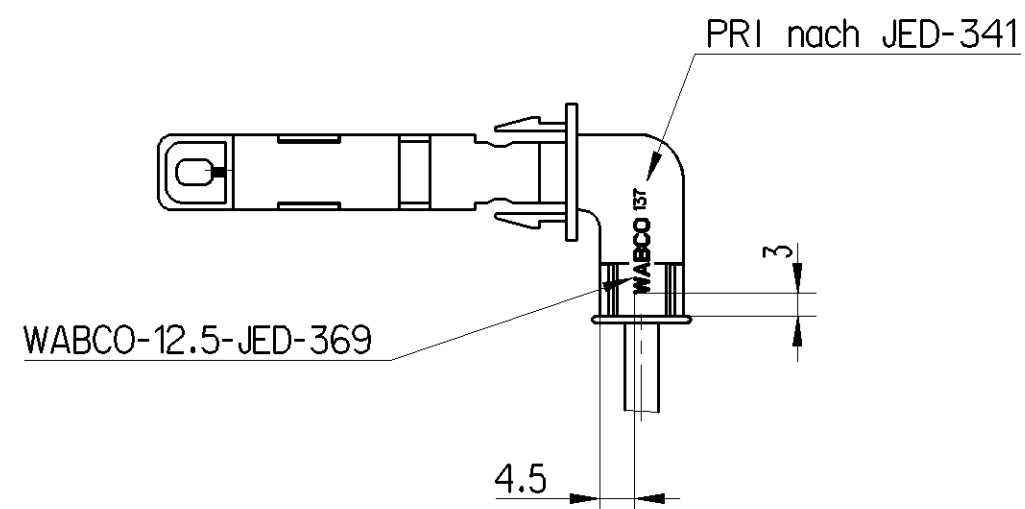


<1> SAFETY CHARACTERISTICS	0
<2> SIGNIFICANT CHARACTERISTICS	0



① TWO CORE CABLE (FULFILLED UN/ECE R118) ^E
 LEITUNG ZWEIADRIG (ERFUELLT UN/ECE R118)
 CABLE A DEUX CONDUCTEURS (ACCOMPLI UN/ECE R118)
 CAVO A DUE CONDUTORI (ESAUDIRE UN/ECE R118) } PVC
 2x0.5mm²

THERMAL RANGE OF APPLICATION
 THERMISCHER ANWENDUNGSBEREICH -40 ... +85 °C
 PLAGE D'APPLICATION THERMIQUE
 CAMPO DI APPLICAZIONE TERMICA

MEASURING RANGE
 MESSBEREICH -40 ... +125 °C
 ETENDUE DE MESURE SPECIFIEE
 CAMPO DI MISURA

RESISTOR AT 25 °C
 WIDERSTAND BEI 25 °C 10 kΩ ±3%
 RESISTANCE A 25 °C
 RESISTENZA A 25 °C

PULL RELIEF AT ROOM TEMPERATURE
 ZUGENTLASTUNG BEI RAUMTEMPERATUR >50 N
 ARRET DE CABLE A TEMPERATURE AMBIANTE
 ARRESTO PER CAVO A TEMPERATURA AMBIANTE

② DIMENSION IN COMPRESSED CONDITION
 MASS IM ZUSAMMENGEDRUECKTEN ZUSTAND
 DIMENSION DANS LA CONDITION COMPRIEE
 DIMENSIONE IN CONDIZIONE DI COMPRESIONE

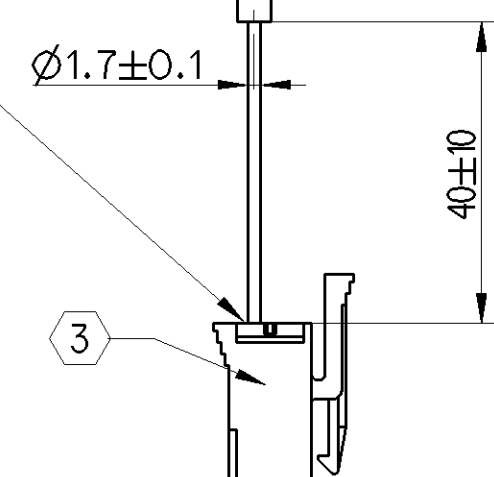
OPERATING VALUES TEMPERATURE SENSOR,
 VALUES ACCORDING TO DATA SHEET:
 FUNKTIONSWERTE TEMPERATURSENSOR,
 WERTE NACH DATENBLATT:
 VALEURS DE FONCTIONNEMENT CAPTEUR DE LA TEMPERATURE,
 VALEURS SUIVANT FEUILLE DE DONNEES:
 VALORI DI FUNZIONAMENTO SENSORE DELLA TEMPERATURA,
 VALORI SECONDO FOGLIO DI DATI:

VISHAY NTC 2322 645 90251

T [°C]	R _N [kΩ]	R _{min} [kΩ]	R _{max} [kΩ]
-40	332,094	312,591	351,597
-10	55,046	52,640	57,452
0	32,554	31,271	33,838
+10	19,872	19,168	20,577
+20	12,488	12,091	12,884
+30	8,0591	7,8036	8,3145
+85	1,0703	1,0197	1,1209

CONTACT ALLOCATION
 KONTAKTBELEGUNG
 AFFECTATION DES CONTACTS
 APPLICAZIONE DEI CONTATTI

CONTACT	KONTAKT	CONTACT	KONTAKT
1	X	3	-
2	X	4	-
3	-		
4	-		



③ CONNECTOR SYSTEM TYCO JUNIOR POWER TIMER ACCORDING TO CUSTOMER INSTRUCTION.
 ONLY THE PRODUCT SPECIFICATION TYCO 108-18013-0 OF THE MANUFACTURER TYCO AMP APPLIES.
 WABCO DOES NOT PROVIDE ANY WARRANTY RELATING TO CONNECTOR SYSTEM DEFECTS.

STECKSYSTEM TYCO JUNIOR POWER TIMER NACH KUNDENVORGABE.
 ES GILT DIE PRODUKTSPEZIFIKATION TYCO 108-18013-0 DES HERSTELLERS TYCO AMP.
 FUER MAENDEL AM STECKSYSTEM KEINE GEWAHRLEISTUNG DURCH WABCO.

SYSTEME DE CONNECTEURS TYCO JUNIOR POWER TIMER SUIVANT SPECIFICATION DU CLIENT.
 LA SPECIFICATION PRODUIT TYCO 108-18013-0 DU FABRICANT TYCO AMP EST VALABLE.
 WABCO NE FOURNIT AUCUNE GARANTIE RELATIVE AUX DEFATS DANS LE SYSTEME DE CONNECTEURS.

SISTEMA DI CONNETTORI TYCO JUNIOR POWER TIMER SECONDO SPECIFICA DEL CLIENTE.
 LA SPECIFICA DI PRODOTTO TYCO 108-18013-0 DEL PRODOTTORE TYCO AMP E VALIDA.
 WABCO NON FORNISCE NESSUNA GARANZIA SULLE DIFETTI DI SISTEMA DI CONNETTORI.

④ DIN 16901-150

IDENTIFICATION: DATE OF TESTING AND WABCO IDENTIFICATION NUMBER
 HEIGHT OF LETTERS MIN. 1.5 MM LASER PRINTED

KENNZEICHNUNG : PRUEFDATUM UND WABCO ID-NUMMER
 SCHRIFTHOEHE MIN. 1.5 MM GELASERT

IDENTIFICATION: DATE D'ESSAI ET NUMERO D'IDENTIFICATION WABCO
 HAUTEUR DES LETTRES MIN. 1.5 MM, ECRITURE IMPRIMEE A LASER

INDICAZIONE : DATA DI PROVA E NUMERO D'IDENTIFICAZIONE WABCO
 ALTEZZA DELLE LETTERE MIN. 1.5 MM, ISCRIZIONE A LASER

General Specification: JED-334-1, Size ISO 14405 LP		Copyright WABCO®		WABCO		
Further Technical Data:		Date	Signature	TEMPERATURE SENSOR		
Doc. Code: Sheet: To:		2016-06-06	Hornischmacher	TEMPERATURSENSOR		
General Tolerances JED-261		2016-06-08	Grueudker	CAPTEUR DE TEMPERATURE		
④ Range of Nominal Dimensions (± mm)		Expert		SENSORE DELLA TEMPERATURA		
Class 1)	≤ 50 > 50 ≤ 180 > 180 ≤ 400 > 400	Laages		Mass	Scale	Material No.
Fine	0.5 1.0 1.5 2.0	0.015	2:1	446 092 003 0	Date of first issue:	
Medium	1.0 2.0 3.0 4.0	kg		005	ML	1/1
Coarse	2.0 3.5 5.0 6.5	Size	CAD System	ECN-No. Revision Techn. Resp. Replacement for		
Tapped Holes acc.		A 2	CREO	170807	1x	E 6560_EM
1) Tolerance Class Applied Crossmarked		100mm				