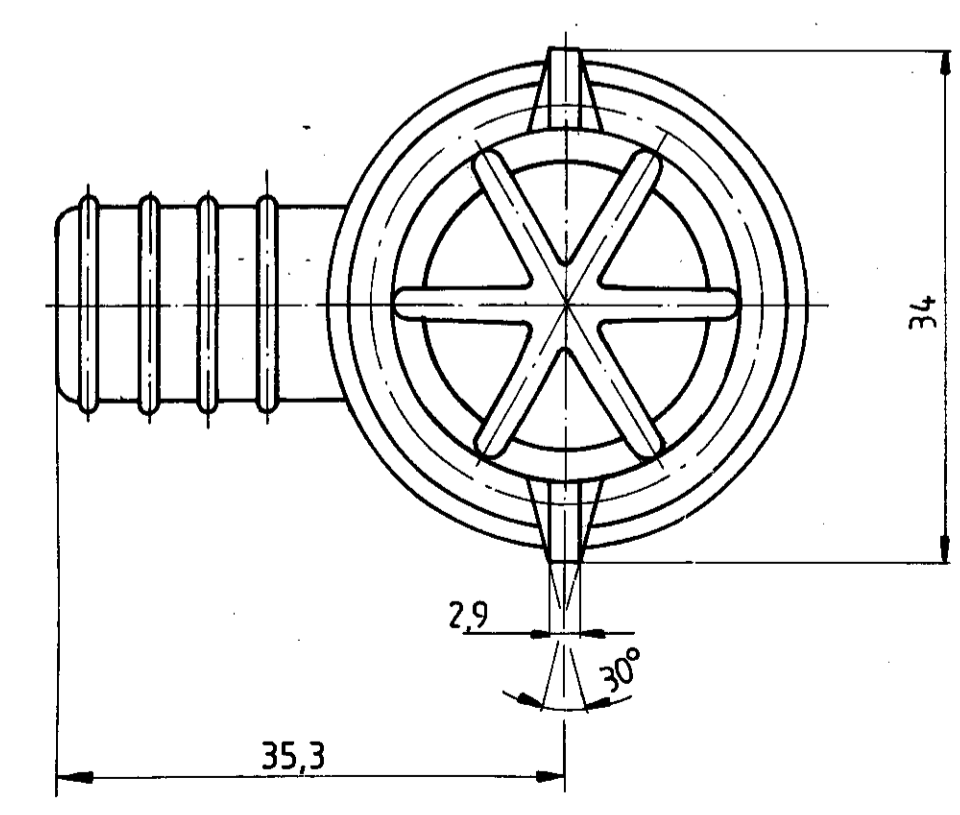
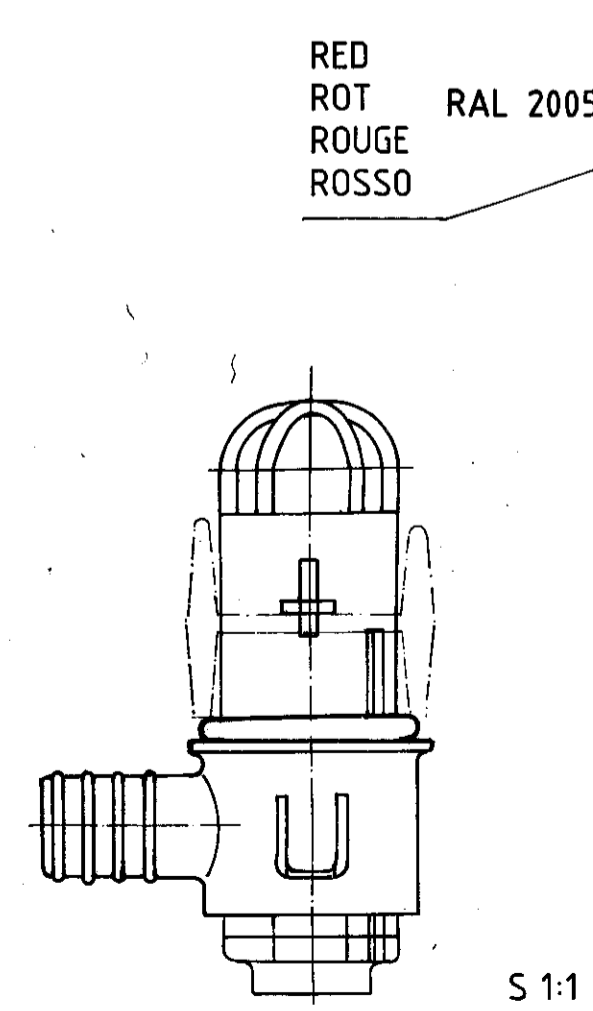
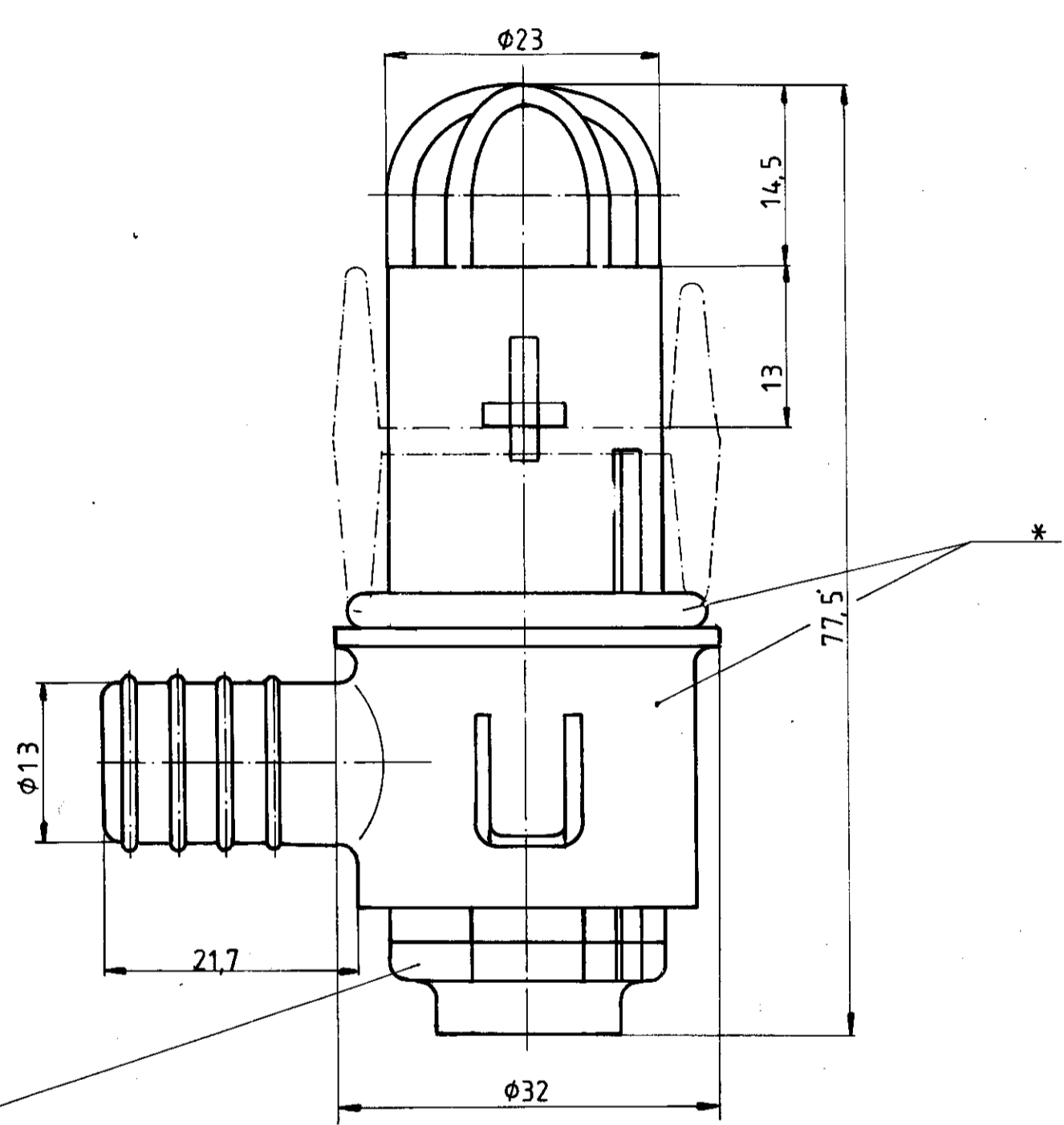
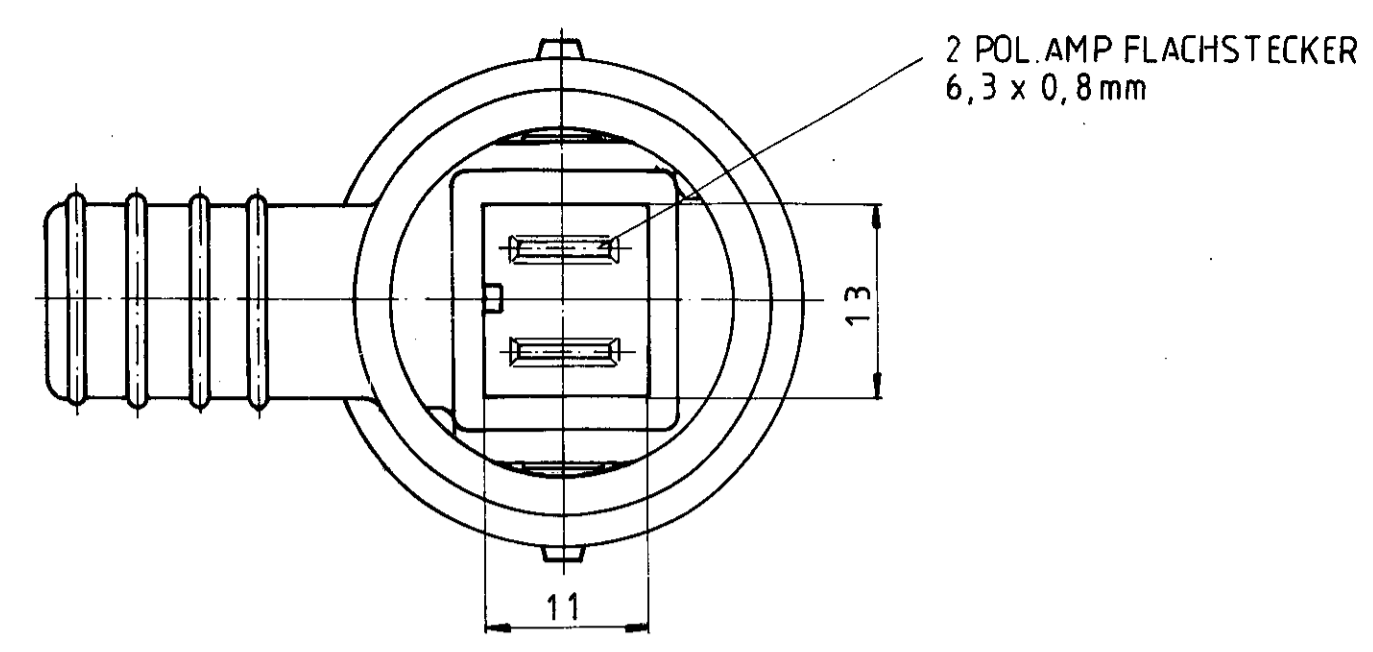


Non è permesso consegnare a terzi o riprodurre questo documento, né utilizzare il contenuto o renderlo comunque noto a terzi senza autorizzazione esplicita. Ogni infrazione costituirà un evidente abuso e sarà punita secondo le leggi in vigore. È fatta riserva di tutti i diritti derivanti da brevetti o modelli di utilità. Copying of this document, and giving it to others and the use or communication of the contents thereof, are forbidden without express authority. Contravention of this restriction will constitute an evident abuse and result in a liability to the payment of damages. All rights are reserved in the event of the grant of a patent or the registration of an utility model or design. This drawing is the subject of copyright.

Toute communication ou reproduction de ce document, toute exploitation ou communication de son contenu sont interdites, sauf autorisation expresse. Tout manquement à cette règle et exposition au versement de dommages et intérêts. Tous droits réservés, notamment en matière de brevets et de modèles d'utilité. Weitergabe sowie Vervielfältigung dieser Unterlage, Verwertung und Mitteilung ihres Inhalts sind nicht ausdrücklich zugestanden. Zuwiderhandlungen stellen einen offensichtlichen Mißbrauch dar und verpflichten zu Schadensersatz. Alle Rechte für den Fall der Patenterteilung oder Gebrauchsmuster-Eintragung vorbehalten.



RESISTOR VALUE  
WIDERSTANDSWERT 10k ±3% bei 25°C  
VALEUR DE RESISTANCE  
VALORE DI RESISTENZA

POSITIVE TEMPERATURE COEFFICIENT OF RESISTOR  
POSITIVER TEMPERATURKOEFFIZIENT DES WIDERSTANDES  
COEFFICIENT THERMIQUE POSITIV DE RESISTANCE  
COEFFICIENTE TERMICO POSITIVO DELLA RESISTENZA  $\alpha_{25} = -4,37 \text{ %/k}$

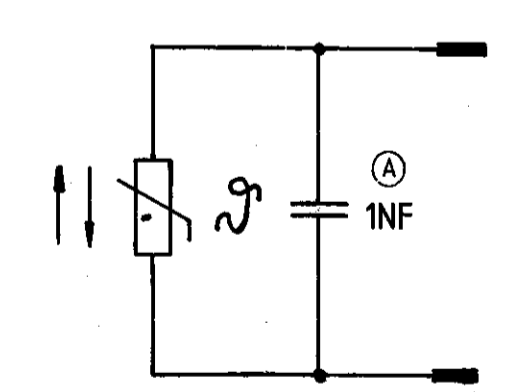
INSTALLATION POSITION : OPTIONAL  
EINBAULAGE : BELIEBIG  
POSITION D'INSTALLATION : QUELCONQUE  
POSIZIONE DI MONTAGGIO : A SCELTA

MAX.VOLTAGE  
MAX.SPANNUNG 10V /25°C  
VOLTAGE MAX.  
VOLTAGGIO MAX.

MAX. PERMISSIBLE AMBIENT TEMPERATURE RANGE  
MAX. ZULAESSIGER UMGEBUNGSTEMPERATURBEREICH -40°C...+80°C  
PLAGE DE TEMPERATURES AMBIANTES MAX. ACMISSIBLE  
MAX. TEMPERATURA AMBIENTE AMMESSA

PROTECTION TYPE ACCORD TO DIN 40050  
SCHUTZART NACH DIN 40050 IP 20  
TYPE DE PROTECTION SUIVANT DIN 40050  
TIPO DI PROTEZIONE DIN 40050

\* FIXATION KIT  
BEIPACKTEILE  
POCHETTE D'ACCESSOIRES DE FIXATION  
CORREDO DI COMPLETAMENTO



FURTHER TECHNICAL DATA SEE				COPYRIGHT		WABCO	
IDENTIFICATION No.				DATE	SIGNATURE		
CODE FOR DOCUMENT 605 SHEET TO				90.04.18	DRAWN Sánchez		TEMPERATURE SENSOR
GENERAL TOLERANCES				90.04.18	CHECKED		TEMPERATURFUEHLER NTC
RANGE OF NOMINAL DIMENSIONS (± mm)				STANDARDIZATION		CAPTEUR DE TEMPERATURE	
CLASS	II	<50	>50 <180	>180 <400	>400	SENSORE TERMICO	
I	0,5	1	1,5	2	MASS SCALE		
II	1	2	3	4	kg	2:1	PRODUCT IDENTIFICATION NO.
III	2	3,5	5	6,5	SIZE	TR 1	446 093 001 0
TAPPED HOLES ACC. ISO 4039 / JED-152				49775	REV. A	92-06-15	CODE FOR DOCUMENT SHEET
TOLERANCE CLASS APPLIED CROSSMARKED				DCN-No.	REV.	DATE	605 1/1
				A2	142	CODE FOR PROD. GROUP	655
						CODE FOR SHAPE	REPLACEMENT FOR