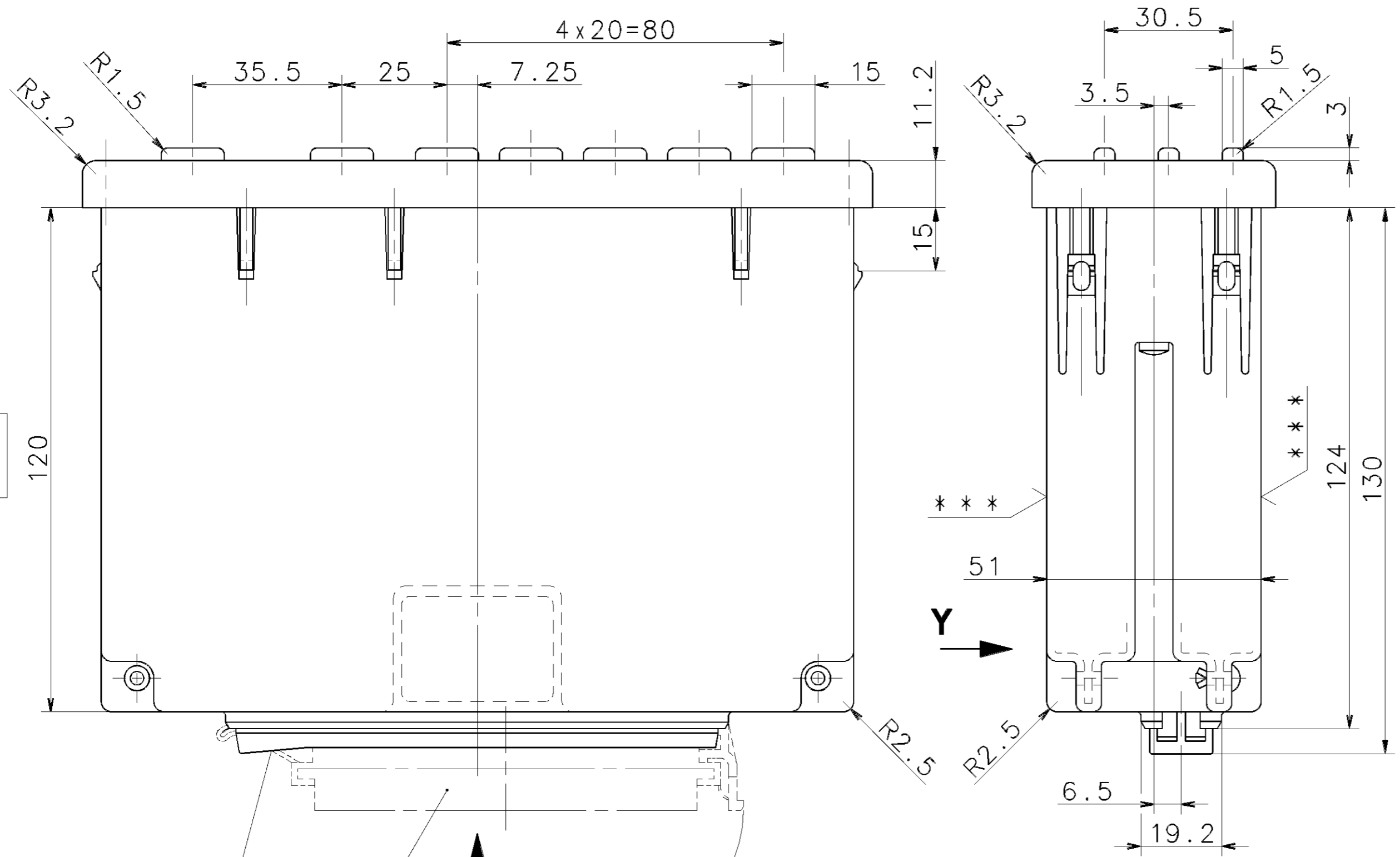
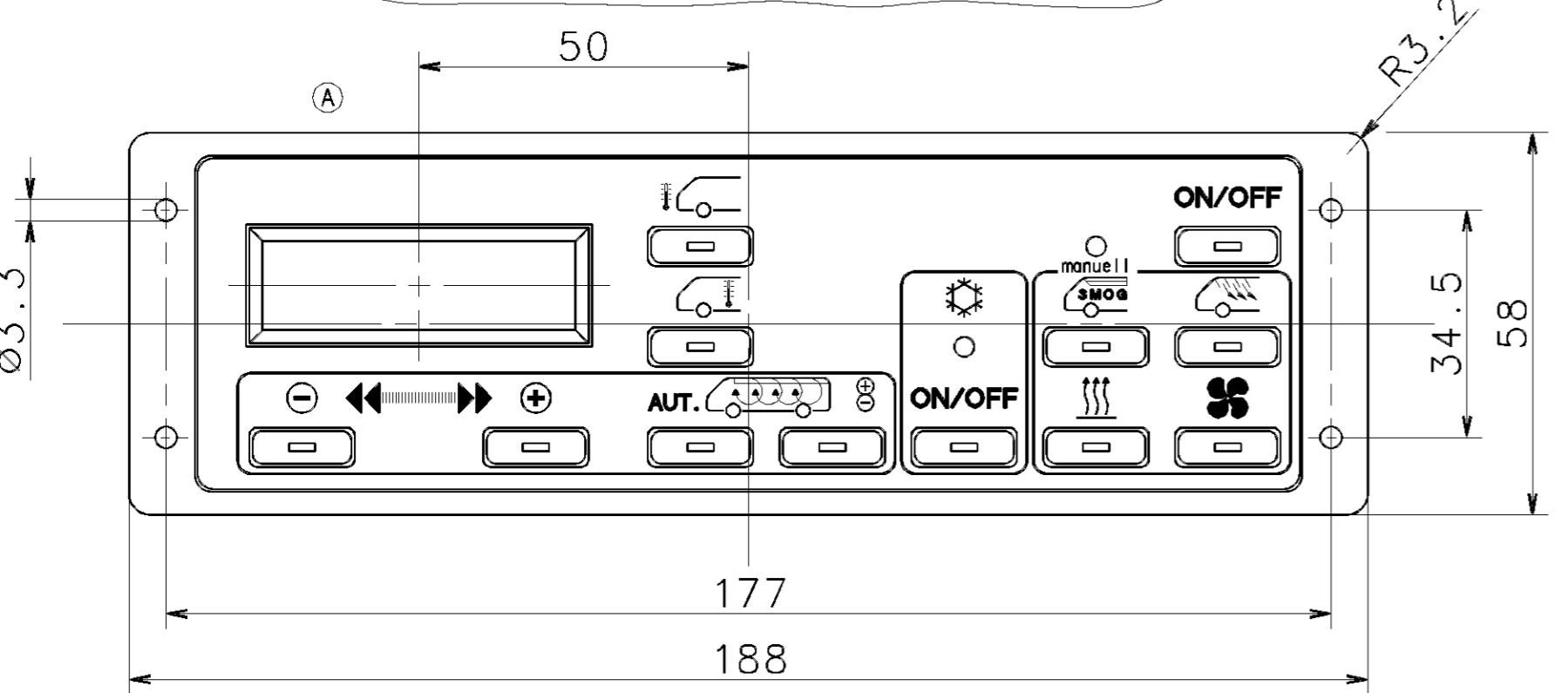
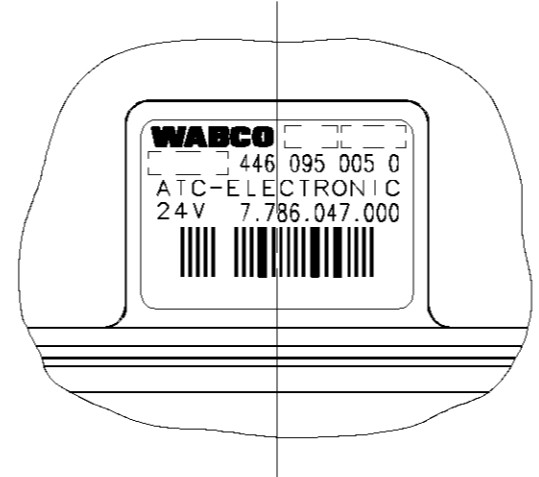
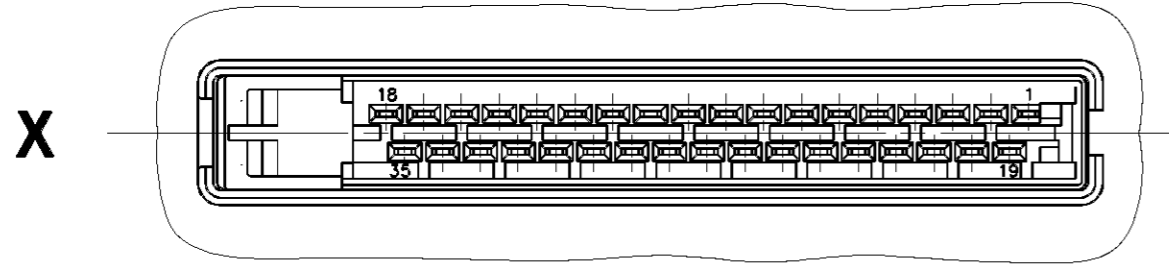


NON È PERMESSO CONCESSIONE A TERZI O RIPRODURRE QUESTO DOCUMENTO. NE UTILIZZARNE IL CONTENUTO O RENDERSI RESPONSABILI PER QUALSIASI DANNI, PERDITE O GUASTI. TUTTI I DIRITTI RISERVATI DA WABCO E COMPARTI. È FATTA RISERVA DI TUTTI I DIRITTI DERIVANTI DA BREVETTI O MODELLI.  
 COPIING OF THIS DOCUMENT AND CIRCULATING IT TO OTHERS AND THE USE OR COMMUNICATION OF THE CONTENTS THEREOF, WITHOUT THE WRITTEN PERMISSION OF WABCO, IS PROHIBITED. ALL RIGHTS ARE RESERVED IN THE EVENT OF THE ABUSE AND RESULT IN A LIABILITY TO THE PAYMENT OF DAMAGES. ALL RIGHTS ARE RESERVED IN THE EVENT OF THE ABUSE AND RESULT IN A LIABILITY TO THE PAYMENT OF DAMAGES.  
 GRANT OF PATENT OR REGISTRATION OF A UTILITY MODEL OR DESIGN. THIS DOCUMENT IS THE SUBJECT OF COPYRIGHT.



POINT OF ROTATION OF THE PLUG  
 DREHPUNKT DES FEDERKONTAKTGEHAEUSES  
 POINT DE ROTATION DE LA PRISE  
 PUNTO DI ROTAZIONE DELLA SPINA



VOLTAGE: 24V±25% DC  
 SPANNUNG:  
 VOLTAGE:  
 VOLTAGGIO:

THERMAL RANGE OF APPLICATION:  
 THERM. ANWENDUNGSBEREICH: -20°C...+65°C  
 GAMME D' APPLICATION THERMIQUE:  
 CAMPO DI APPLICAZIONE THERMICA:

STORAGE TEMPERATURE FROM:  
 LAGERTEMPERATUR VON: -40°C...+85°C  
 TEMPERATURE DE MAGASINAGE DE:  
 TEMPERATURA DELL' IMMAGAZZIMENTO DA:

PROTECTION TYPE: IP 30 (IEC 529)  
 SCHUTZART:  
 MODE DE PROTECTION:  
 MODO DI PROTEZIONE:

REQUIRED FEMALE CONNECTOR: 894 510 764 2  
 ERFORDERLICHE FEDERLEISTE:  
 CONNECTEUR FEMELLE REQUIS:  
 NECESSARIO CONNECTORE FEMMINA:

DIRECTION FOR REMOVING THE PLUG  
 \* AUSHEBERICHTUNG DES FEDERKONTAKTGEHAEUSES  
 DIRECTION POUR RETIRER LA PRISE  
 DIREZIONE PER RIMOUVERE LA SPINA

\*\* PLUG DRAWN WITHOUT CABLE  
 FEDERKONTAKTGEHAEUSE OHNE KABEL GEZEICHNET  
 PRISE DESSINE SANS CABLE  
 SPINA DISEGNATA SENZA CAVO

\*\*\* MAX. PERMISSIBLE FLEXION 1MM  
 MAX. ZULAESSIGE DURCHBIEGUNG  
 FLEXION MAX. ADMISSIBLE  
 FESSIONE MAX. AMMESSA

MALE MULTIPOINT CONNECTOR: SURFACE PROTECTION: TIN PLATED  
 MESSERLEISTE: OBERFLAECHENSCHUTZ: VERZINNT  
 CONNECTEUR MALE MULTIBROCHE: PROTECTION DE SURFACE: ETAME  
 SPINE MULTIPA: PROTEZIONE SUPERFICIALE: STAGNATO

GENERAL SPECIFICATION: JED-334		CADAM-DRAWING COPYRIGHT		<b>WABCO</b>	
FURTHER TECHNICAL DATA:		DATE	SIGNATURE	DRAWN: 94-06-28 PFENNIG	
DOC. CODE:		SHEET: TO		CHECKED: 94-06-28 LEHRMANN	
GENERAL TOLERANCES		STANDARDIZATION:		PRODUCT IDENTIFICATION NO.	
CLASS	1)	RANGE OF NOMINAL DIMENSIONS ( ± mm )		446 095 005 0	
		≤50	>50 ≤180	DOC. CODE SHEET	
FINE		≤180	>180 ≤400	605 1/1	
MEDIUM		±3'	>400	REPLACEMENT FOR	
COARSE	×	2,0	3,5	SHAPE CODE	
TAPPED HOLES ACC. ISO 4039 / JED-152		082610	1xA	DATE	
1) TOLERANCE CLASS APPLIED CROSSMARKED		DCN-NO.	REV.	DATE	
		082610	1xA	02-01-09	
		MASS		SCALE	
		0.6 KG		1:1	
		SIZE		T.R.I.	
		A 2		142	
		EXPERT CODE		7 8 8	
		PRODUCT TYPE		0 2 X	

1009/012/3/04...93 605 653