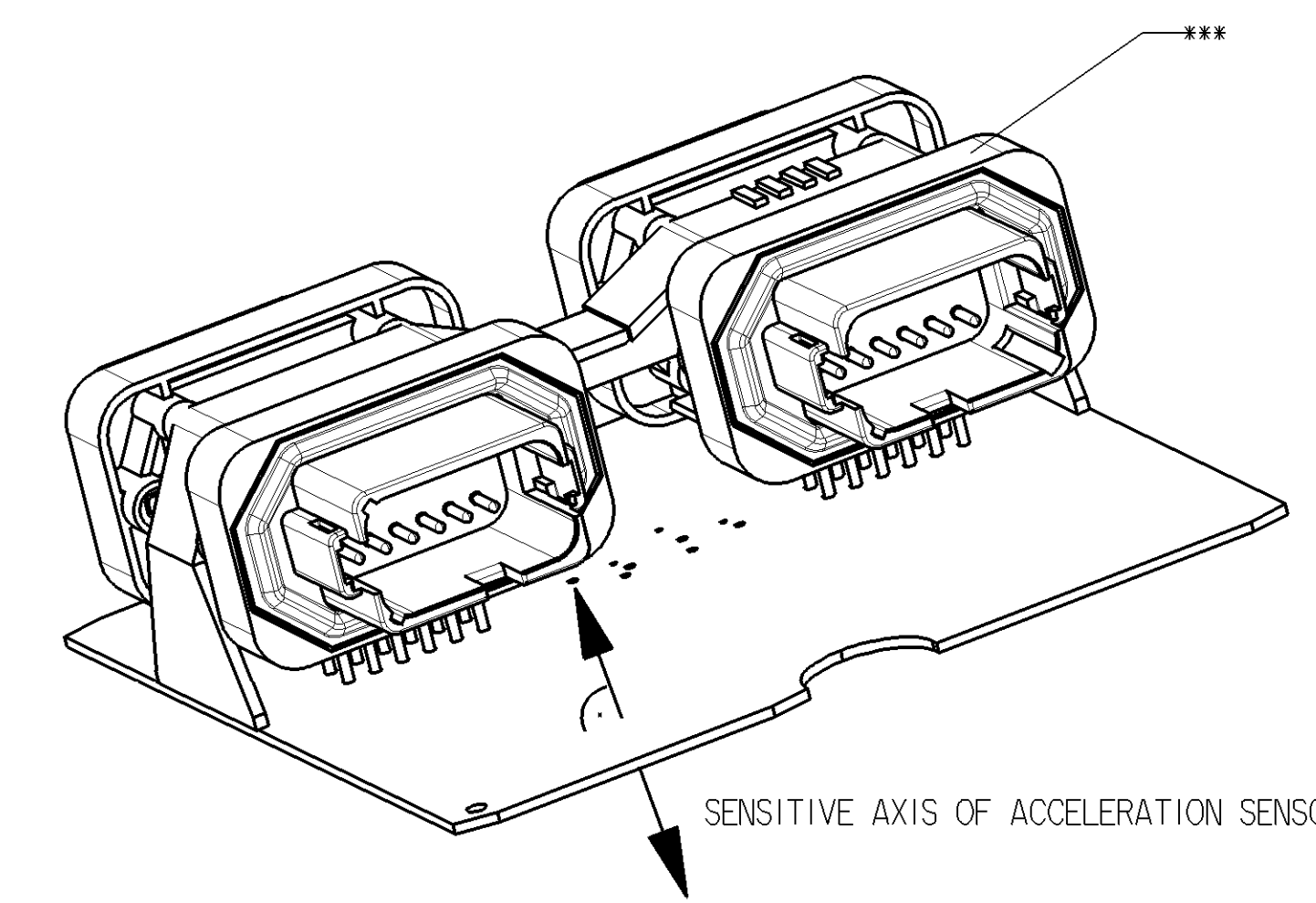
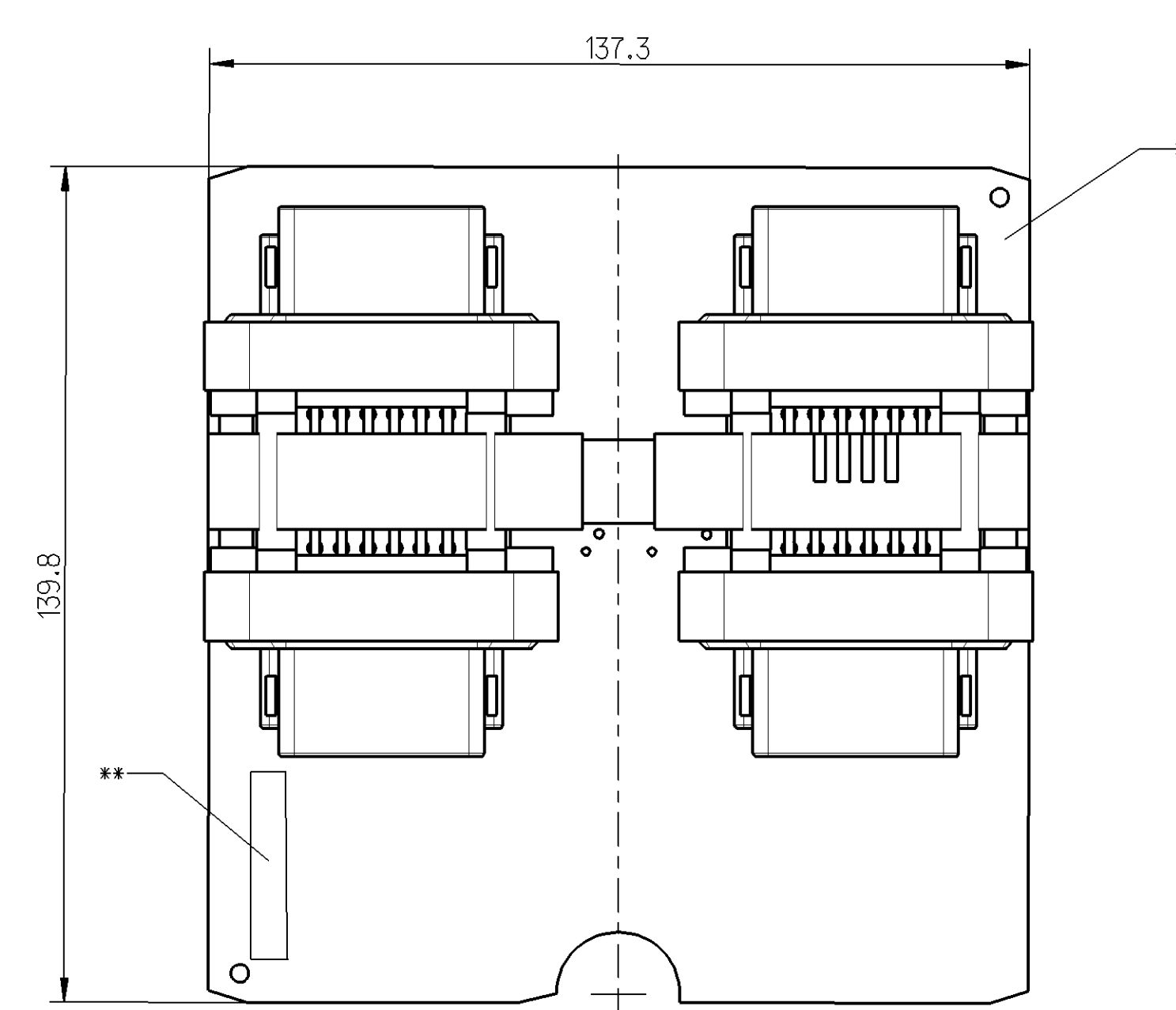
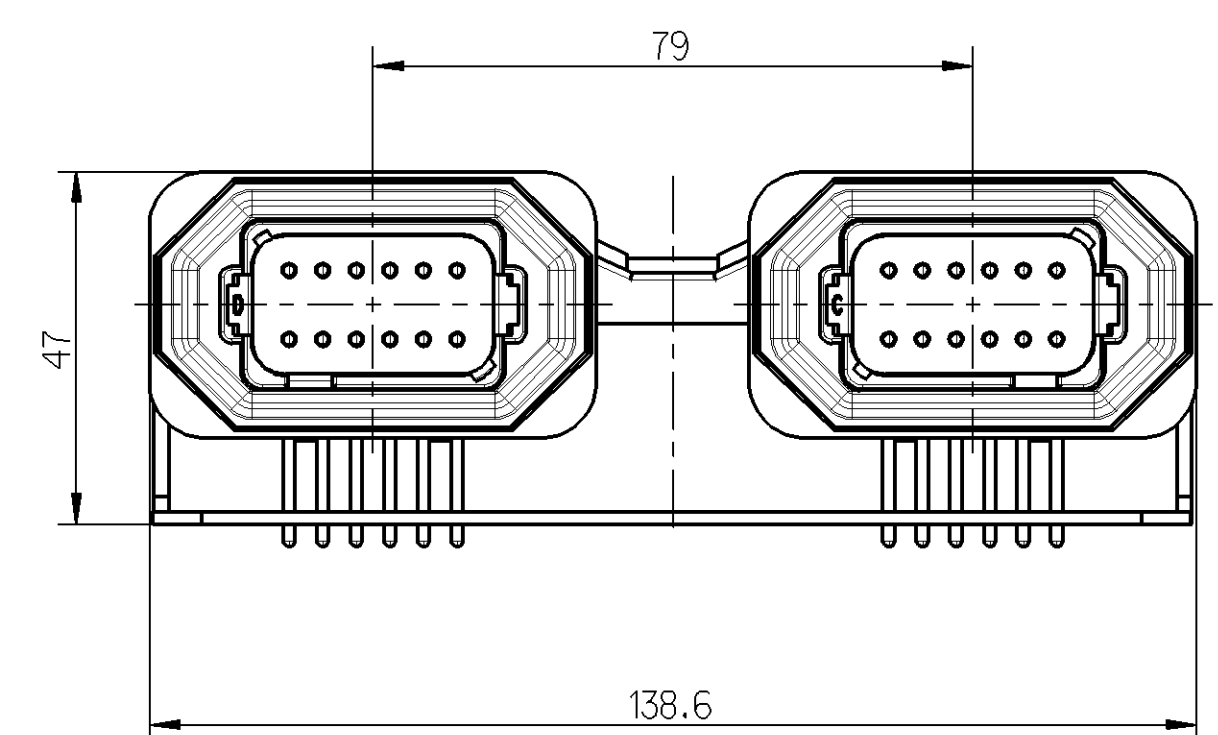
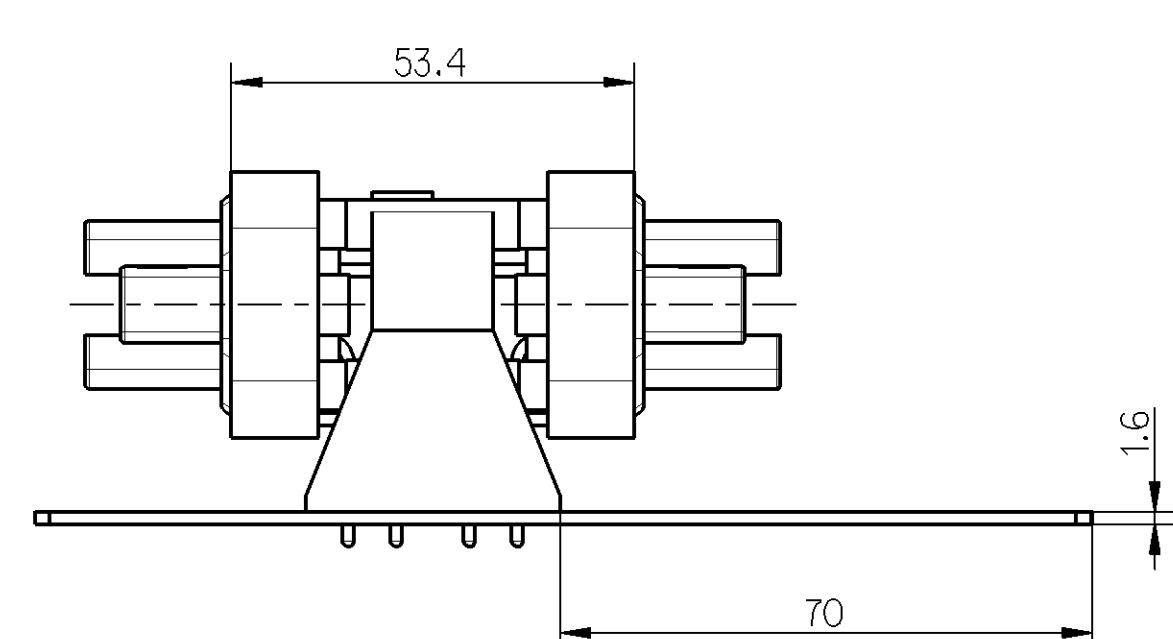
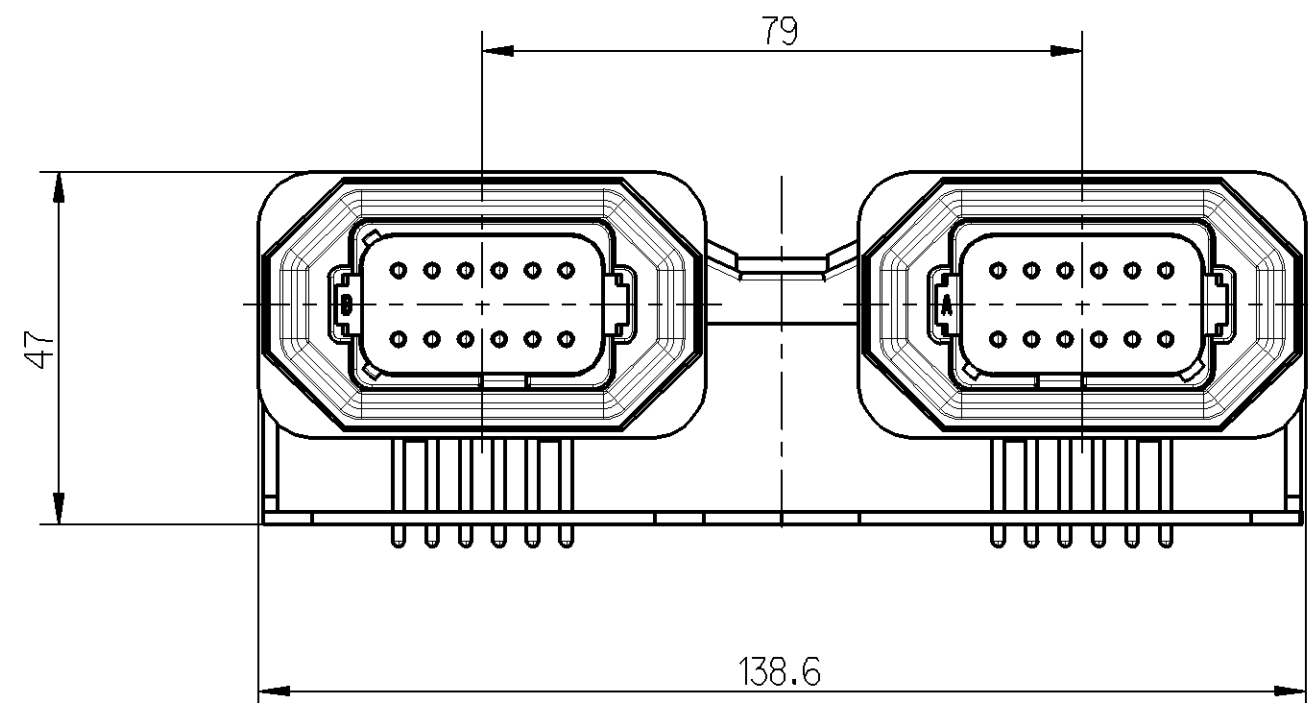


Non è permesso copiare o terzi o riprodurre questo documento, né utilizzare il contenuto o renderlo comunque noto a terzi senza permesso scritto dalla WABCO. È vietata espressamente la ristampa o l'uso non autorizzato di questo documento. E' fatto riserva di tutti i diritti, brevetti, marchi o modelli. Copying of this document and giving it to others and the use or communication of the contents thereof, are forbidden without express written permission from WABCO. This document is the property of WABCO and its contents are confidential. All rights reserved in the event of the grant of patent or registration of a utility model or design. This document is the subject of copyright.

Toute communication ou reproduction de ce document, toute exploitation ou communication de son contenu sont interdites, sauf autorisation expresse. Tout emprunt ou toute réimpression ou utilisation non autorisée sans le consentement écrit de WABCO est formellement interdite. Toute réimpression ou utilisation non autorisée sans le consentement écrit de WABCO est formellement interdite. Weitergabe sowie Vervielfältigung dieser Unterlagen, Verwertung und Mitteilung ihres Inhalts nicht gestattet, soweit nicht ausdrücklich zugelassen. Zuwiderhandlungen stellen einen strafrechtlichen Missbrauch dar und verpflichten zu Schadensersatz. Alle Rechte für den Fall der Patentierung oder Gebrauchsmuster-Eintragung vorbehalten.



* PART NUMBER TEILENUMMER NUMÉRO DE PIÈCE NUMERO PEZZO	*** PART NUMBER	** BARCODE CODE BARRE CODICE A BARRE
446 106 243 2	894 101 738 2	4210xxxxxx

General Specification: JED-334-0		Copyright WABCO®		<b>WABCO</b>		
Further Technical Data:		Date	Signature			
Doc. Code:	Sheet: To	2010-07-29	JAGLA	ELECTRONIC ELEKTRONIK ABS-E FRAME 12V 6S/6M RSC		
General Tolerances JED-261		Checked	Goers	ELECTRONIQUE ELETTRONICA		
Class 1) Range of Nominal Dimensions ( ± mm)		Expert OHLENDORF		Date of first issue: 2010-08-04		
Fine	≤ 50 > 50 > 180 > 400	Mtss	Scale	Material No.		Doc.Code Language Sheet
Medium	≤ 180 ≤ 400 > 400	0.35 KG	1:1	446 106 243 2		005 ML 1/1
Coarse	2.0 3.5 5.0 6.5	Size	CAD System	Revision		Techn. Resp.
Tapped Holes acc.		A 2	Pro/E	6300_E		Replacement for
1) Tolerance Class Applied Crossmarked		A 2 Pro/E		100mm		