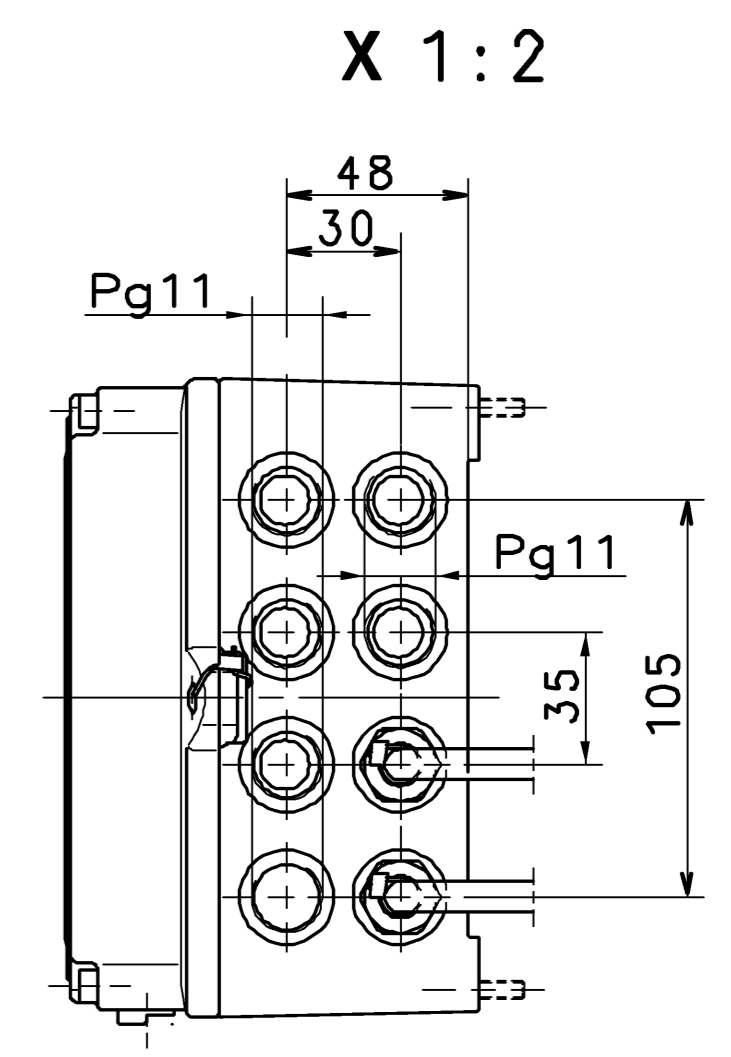
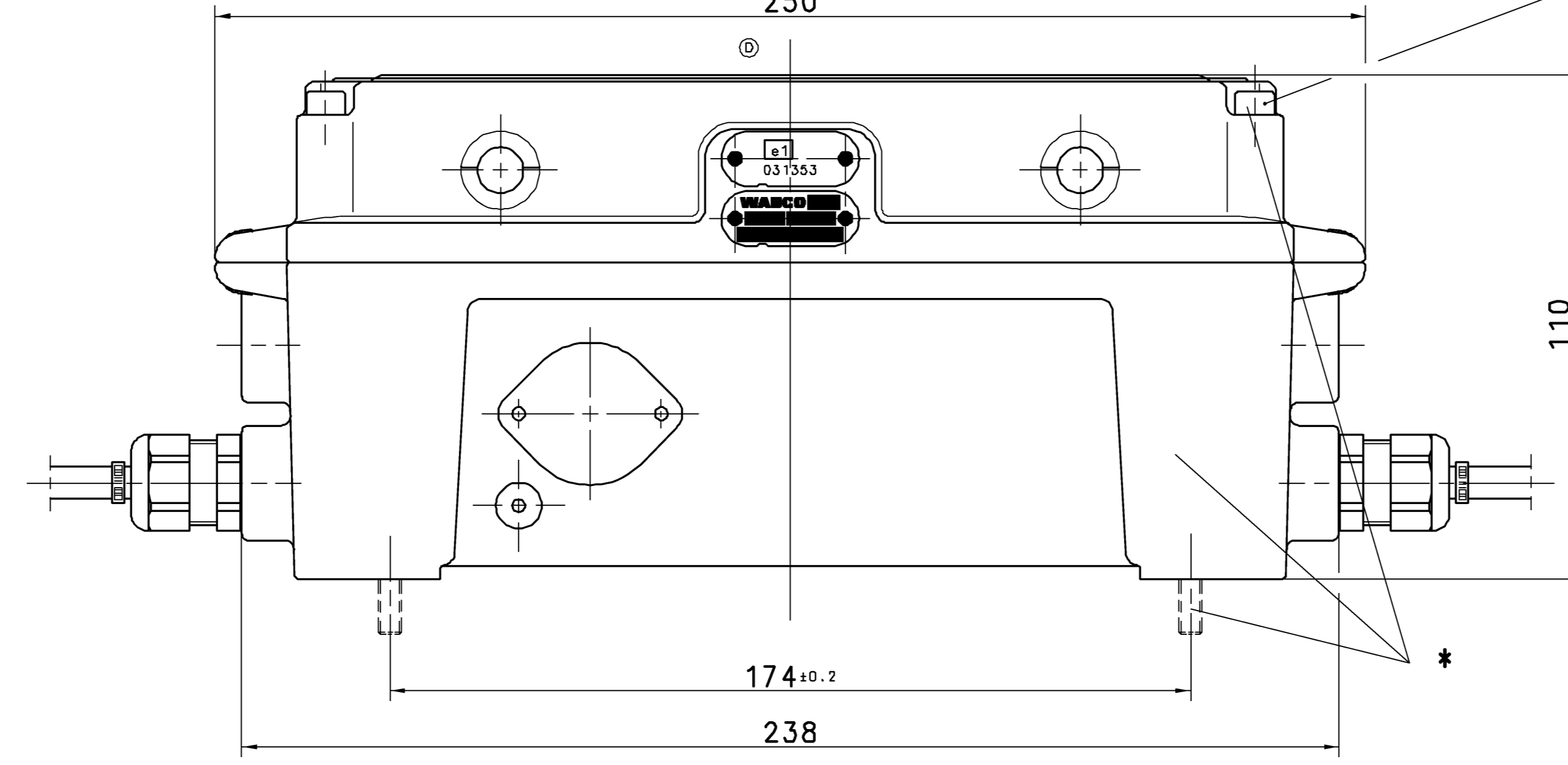
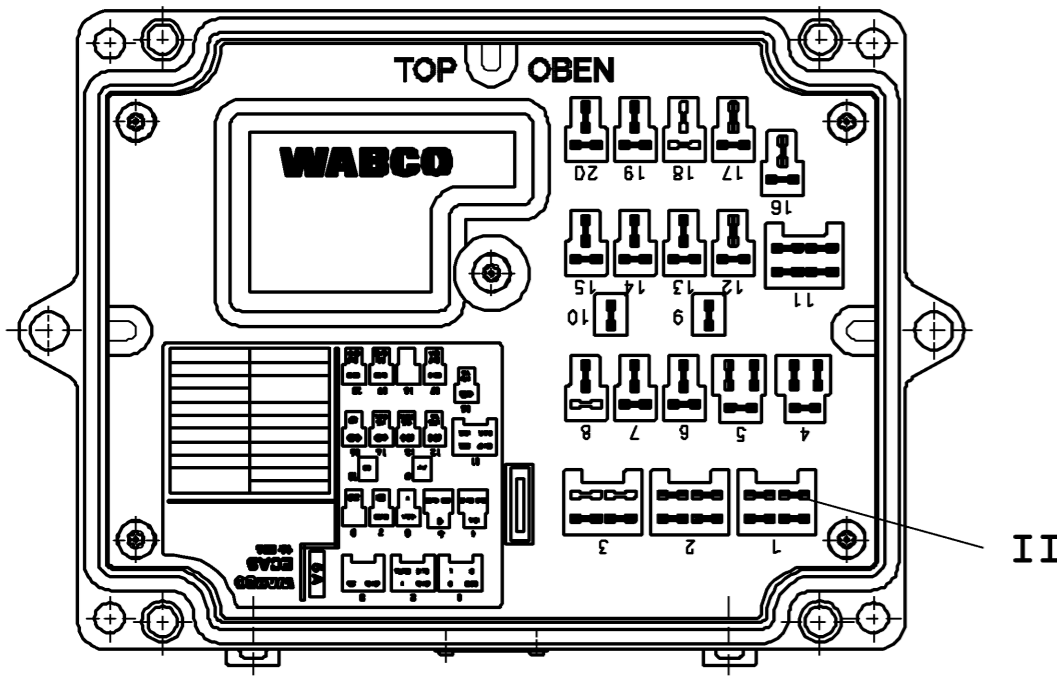
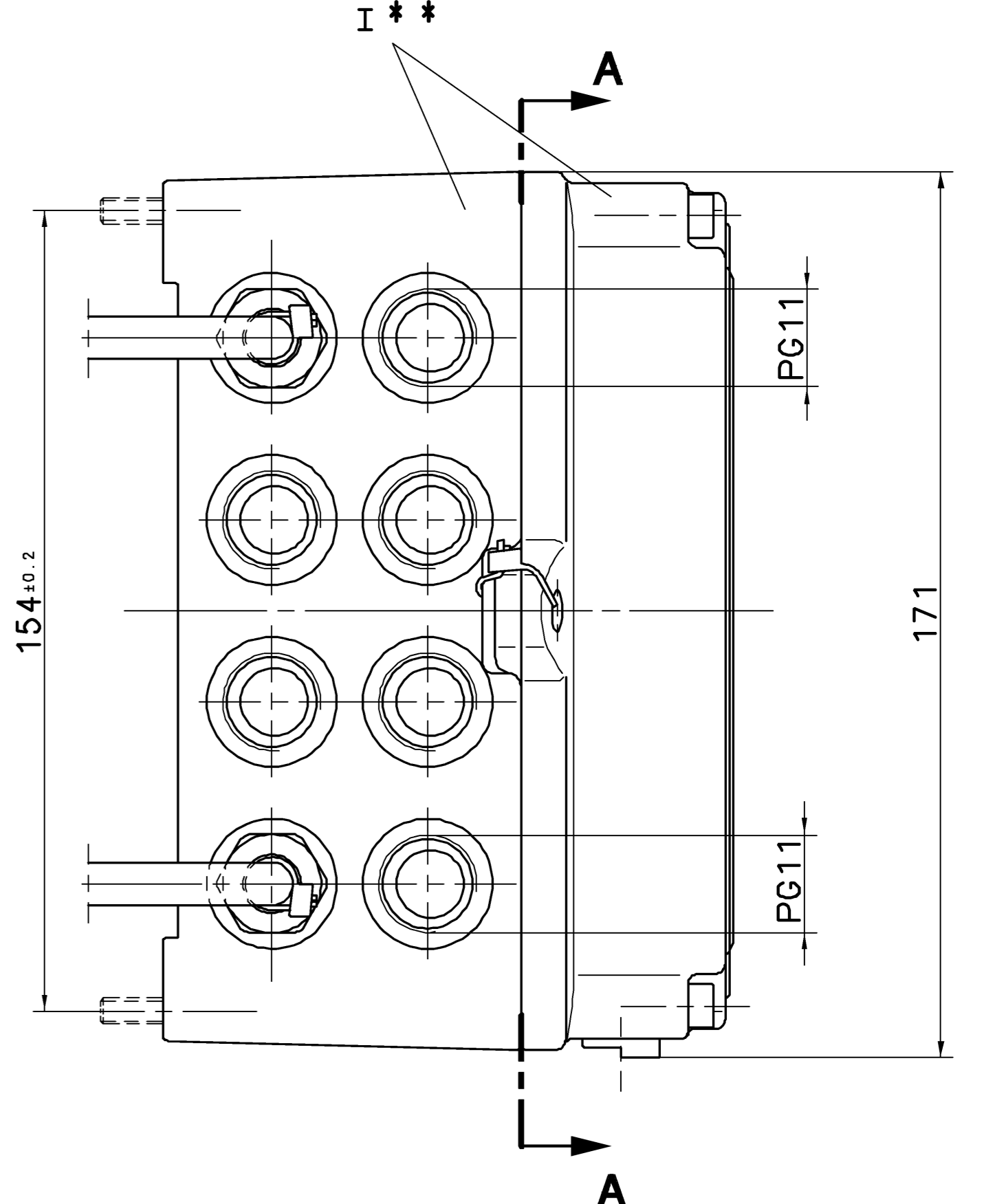
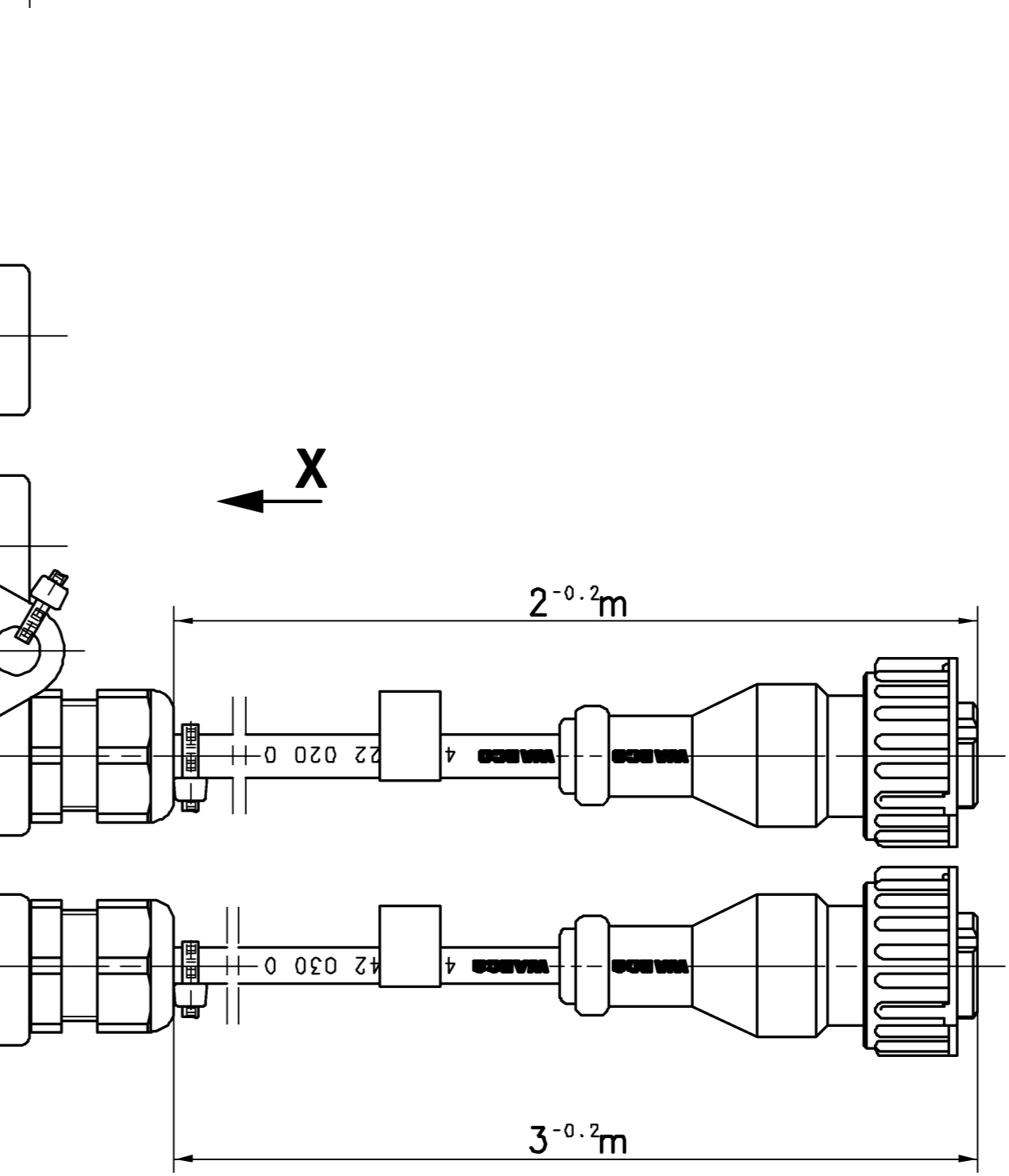
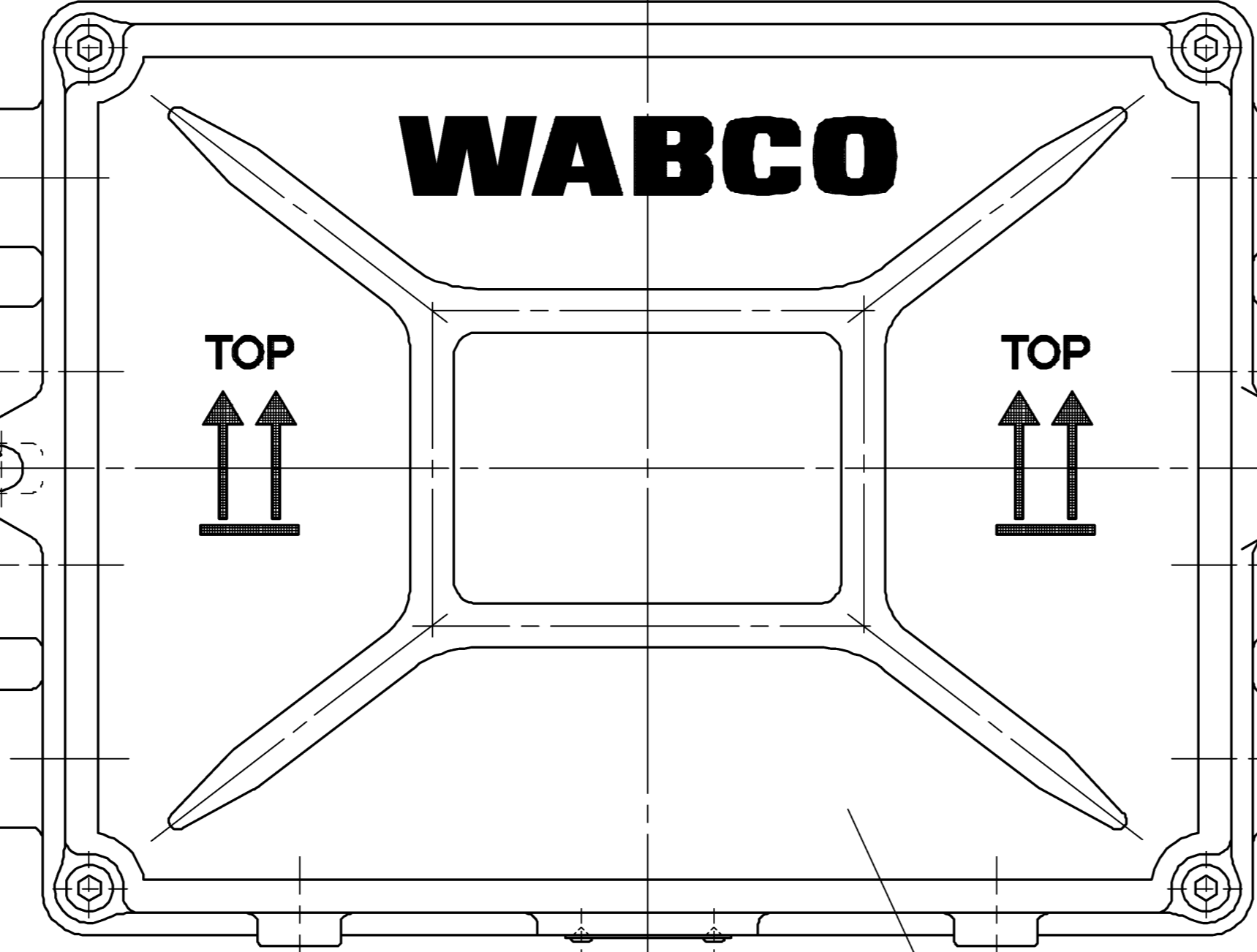
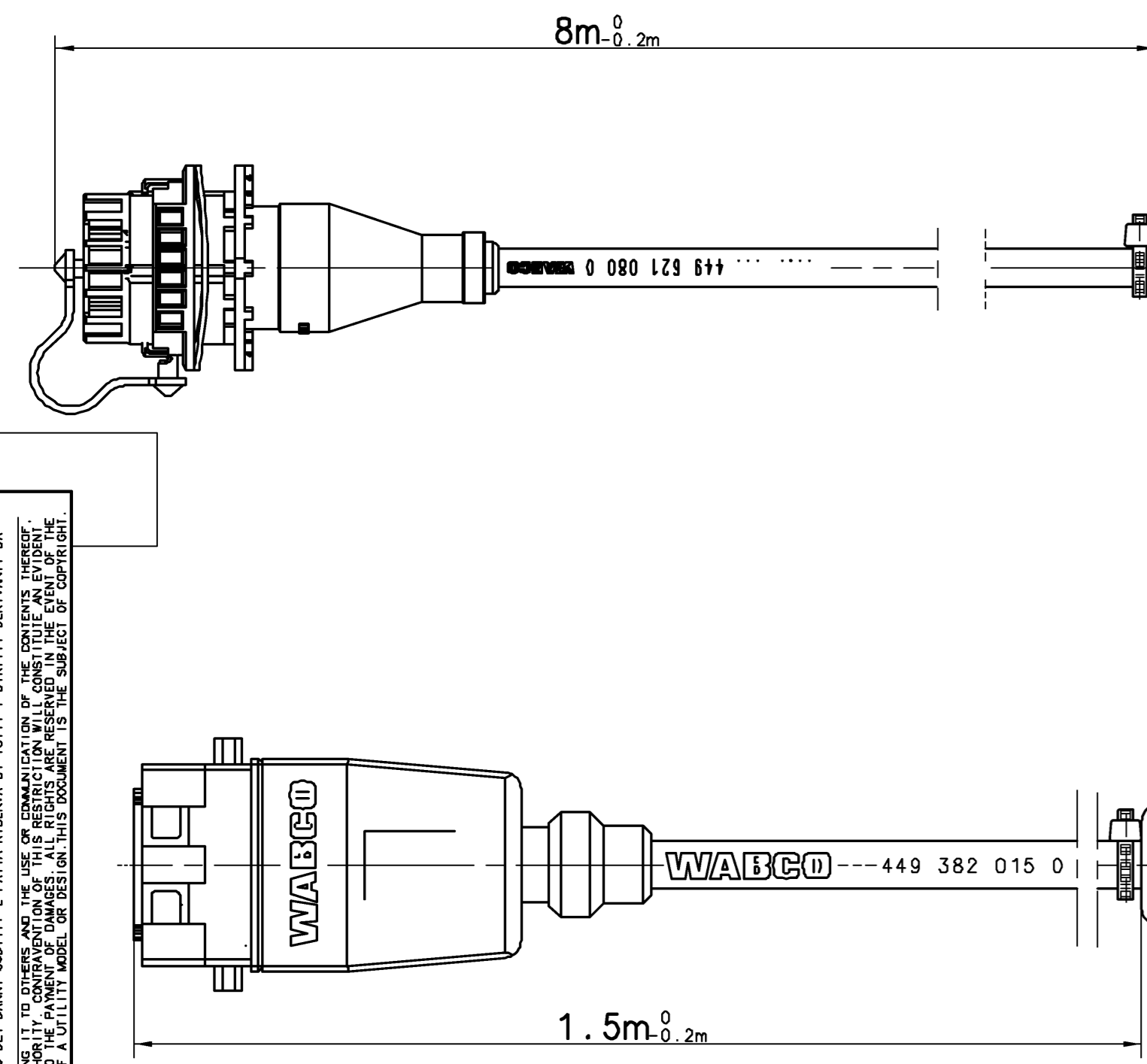


**A-A 1:2**



TORQUE  
ANZUGSMOMENT  
COUPLE DE SERRAGE  
COPPIA DI SERRAGGIO  
M<sub>a</sub> = 6% Nm

**X 1:2**



CONFIGURATION OF THE SYSTEM  
SYSTEMKONFIGURATION  
CONFIGURATION DU SYSTEME  
CONFIGURAZIONE DEL SISTEMA } 6 x 0

VOLTAGE  
SPANNUNG  
VOLTAGE  
VOLTAGGIO } 24V =

FITTED BY THE CUSTOMER. INSTALLATION ACCESSORIES INSIDE  
WIRD VOM KUNDEN MONTIERT. INSTALLATIONSMATERIAL INNEN  
MONTE PAR LE CLIENT. MATERIEUX D'INSTALLATION INTERIEUR  
MONTATO PER MEZZO DAL CLIENTE. MATERIALE D'INSTALLAZIONE INTERNO \*

THERMAL RANGE OF APPLICATION  
THERM. ANWENDUNGSBEREICH } -40°...+65°C  
GAMME D'APPLICATION THERMIQUE  
CAMPO DI APPLICAZIONE TERMICA

TYPE OF PROTECTION  
SCHUTZART IN MONTIERTEM ZUSTAND } IP 54A  
MODE DE PROTECTION  
TIPO DI PROTEZIONE IEC 529 / EN 60529

FURTHER TECHNICAL DATA SEE  
WEITERE TECHNISCHE DATEN SIEHE : 446 055 066 0 / 535  
POUR INFORMATION COMPLEMENTAIRES VOIR  
PER INFORMAZIONI ULTERIORI VEDI :

\*\* COLOR } GREY  
FARBE } GRAU RAL 7001  
COULEUR } GRISE  
COLORE } GRIGIO

SURFACE PROTECT/OBERFL. SCHUTZ/PROTECTION DE SURFACE/PROTEZIONE DI SUPERFICIE

I	JED-259, JED-461
II	JED-345
III	JED-378

GENERAL SPECIFICATION: JED-334		DATE: 99-01-28		SIGNATURE: PFENNIG	
FURTHER TECHNICAL DATA:		DRAWN: 99-01-28		CHECKED: MEIER	
DOC CODE: SHEET: 10		STANDARDIZATION:		PRODUCT IDENTIFICATION NO. 446 120 020 0	
GENERAL TOLERANCES		MASS SCALE 4.3 kg (1:2)		DOC. CODE 605	
RANGE OF NOMINAL DIMENSIONS (± mm)		SIZE T.R.:		REPLACEMENT FOR:	
CLASS 1)	≤50 ≤50-180 ≤180-400 >400	A 1		SHAPE CODE	
FINE	0.5 1.0 1.5 2.0	REV.:		DATE:	
MEDIUM	1.0 2.0 3.0 4.0	TAPPED HOLES ACC: 150 4039 / JED-152		100mm	
COARSE	2.0 3.5 5.0 6.5	1) TOLERANCE CLASS APPLIED CROSSMARKED		EXPERT CODE 047	