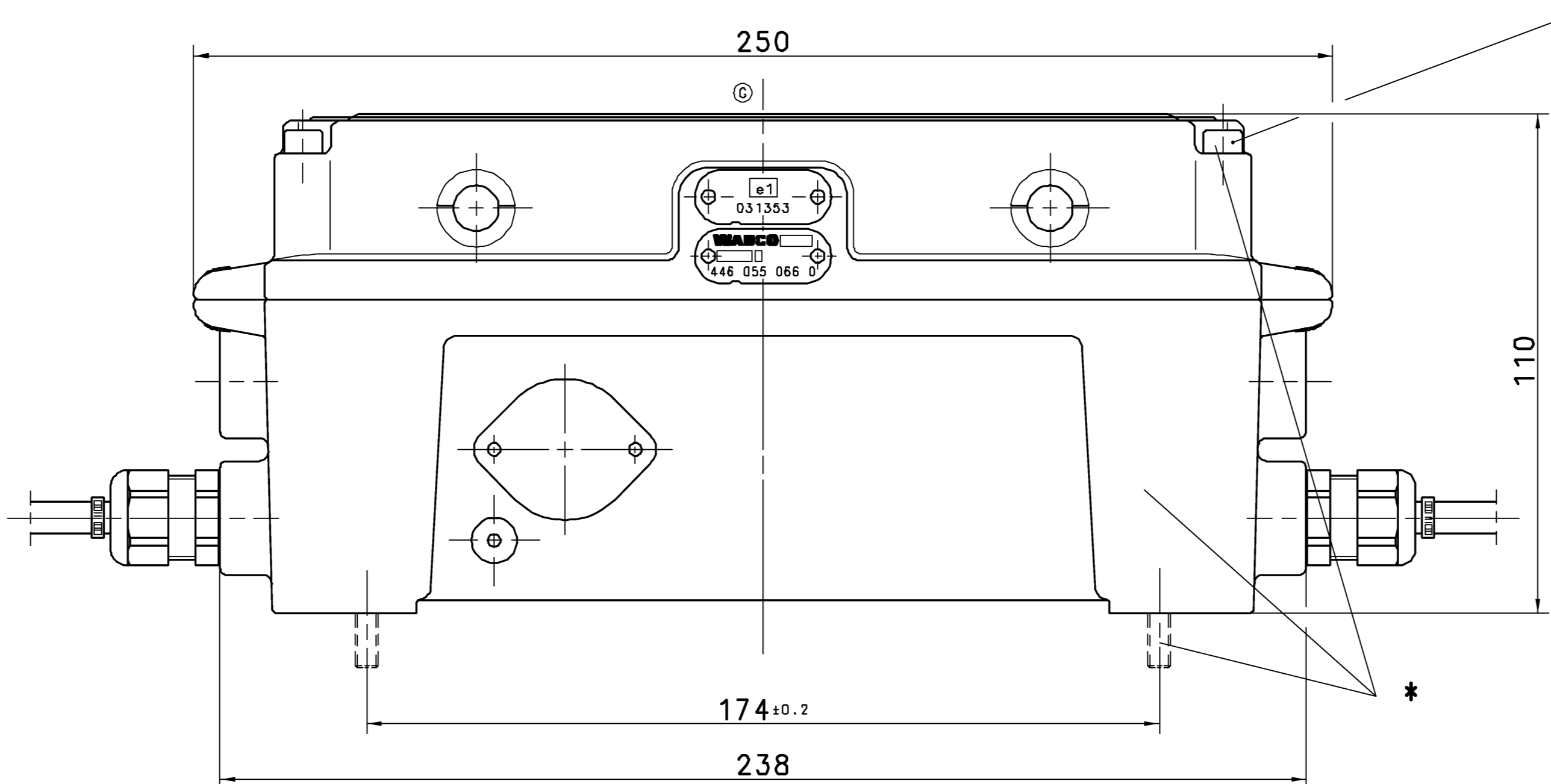
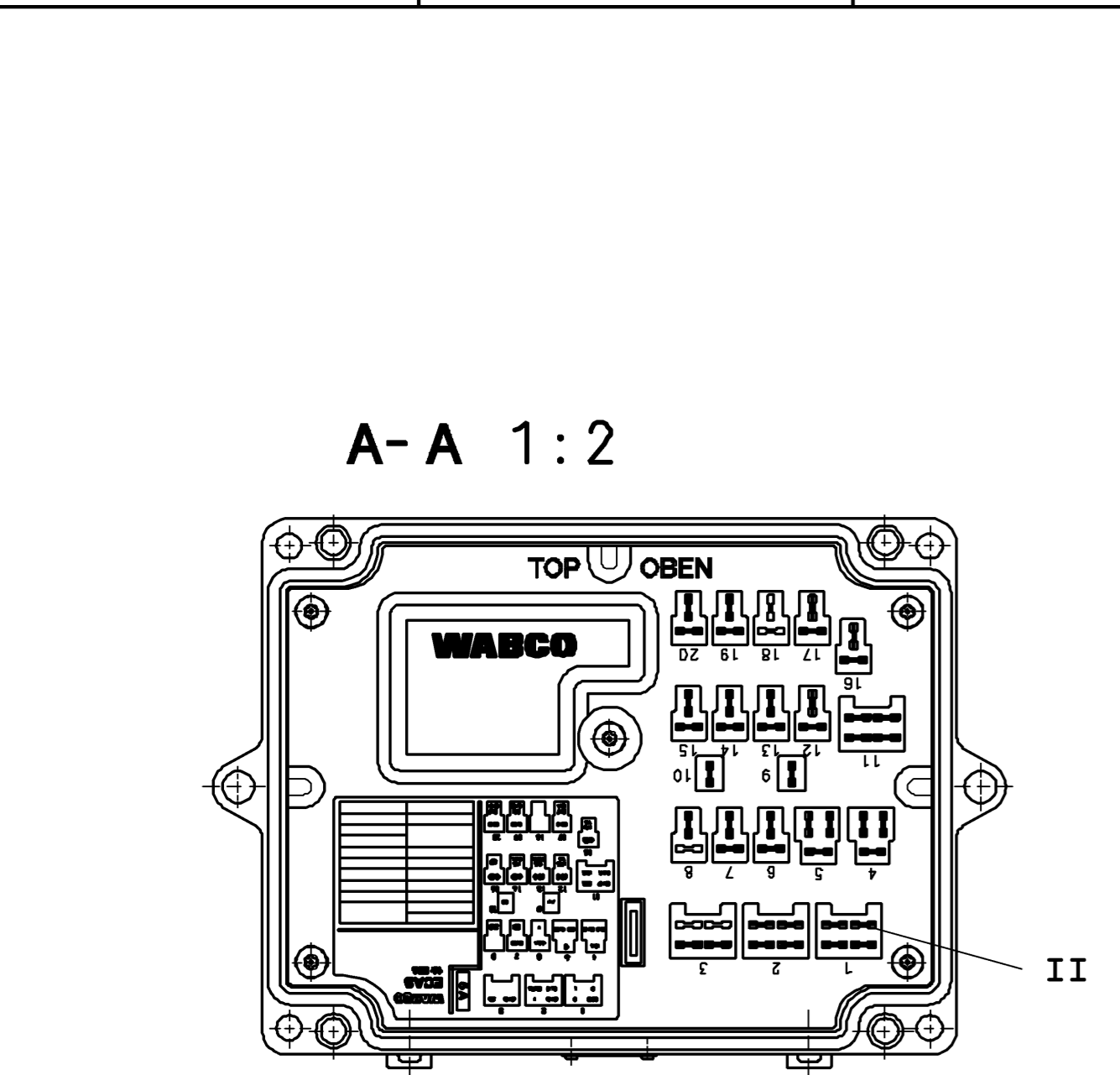
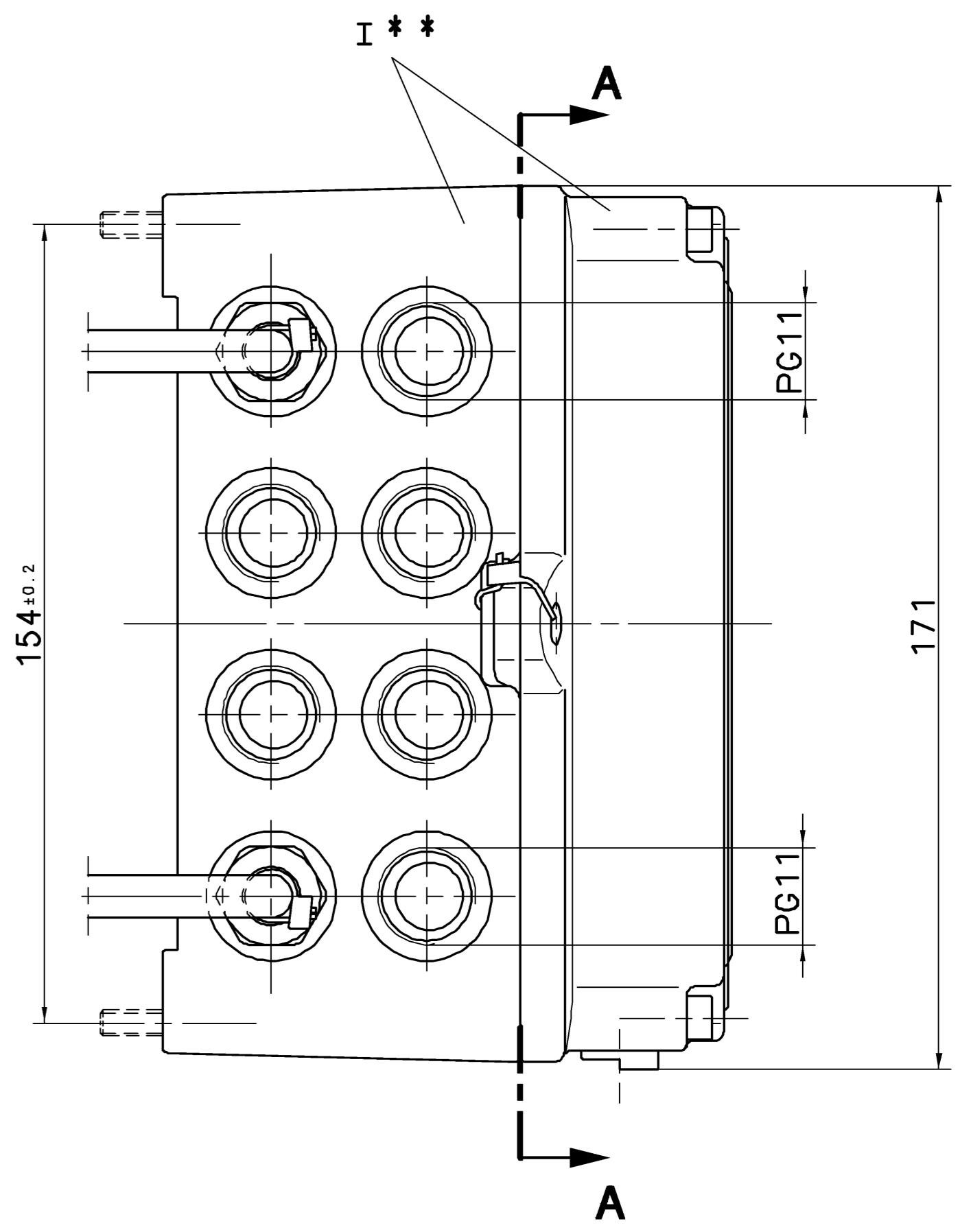
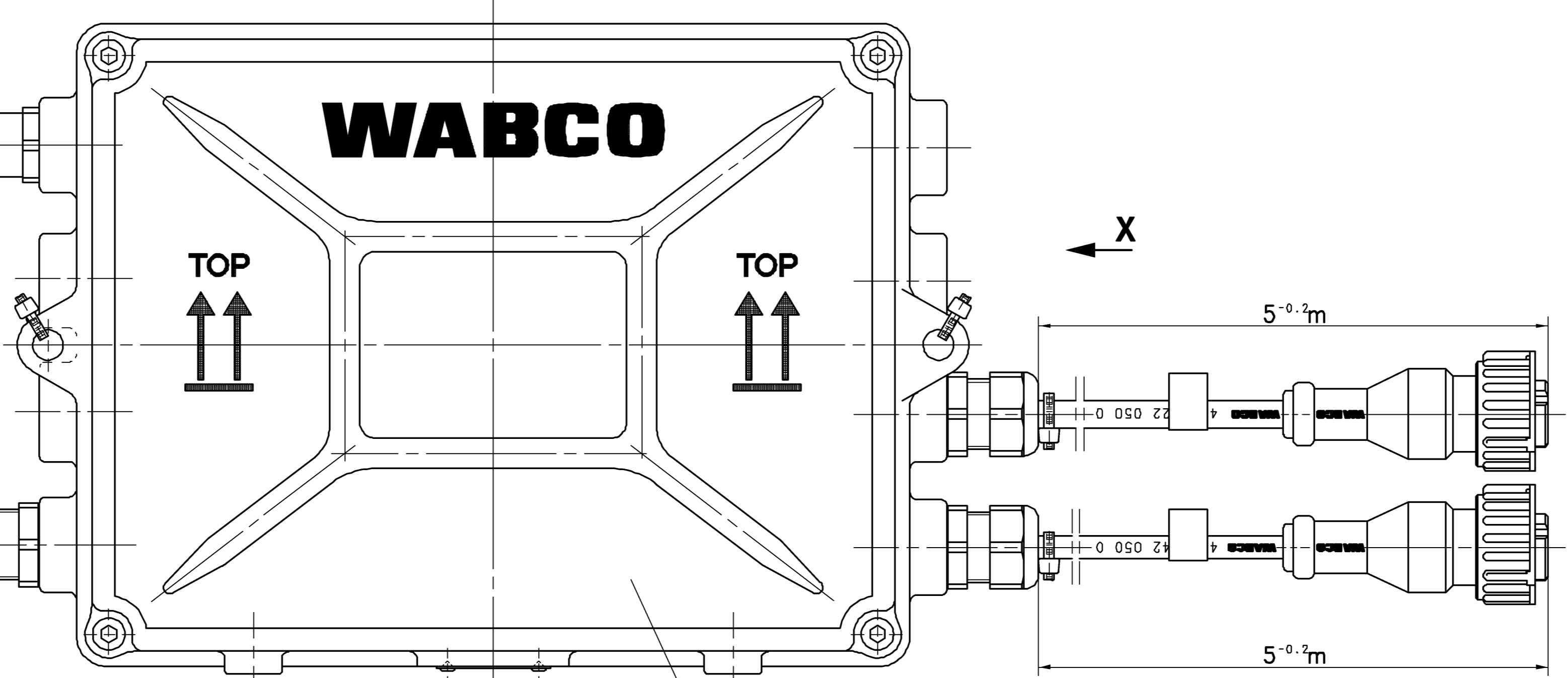
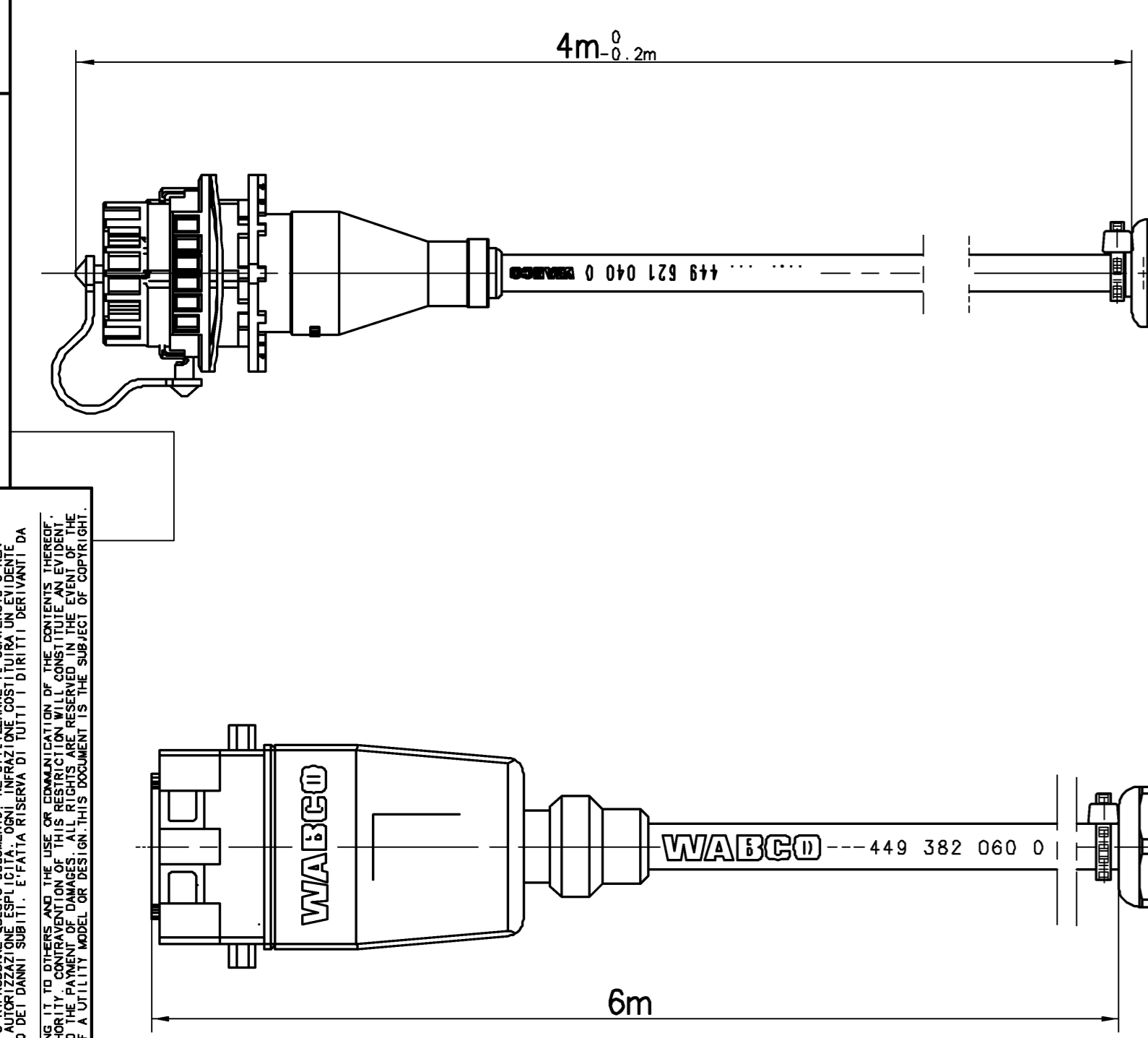
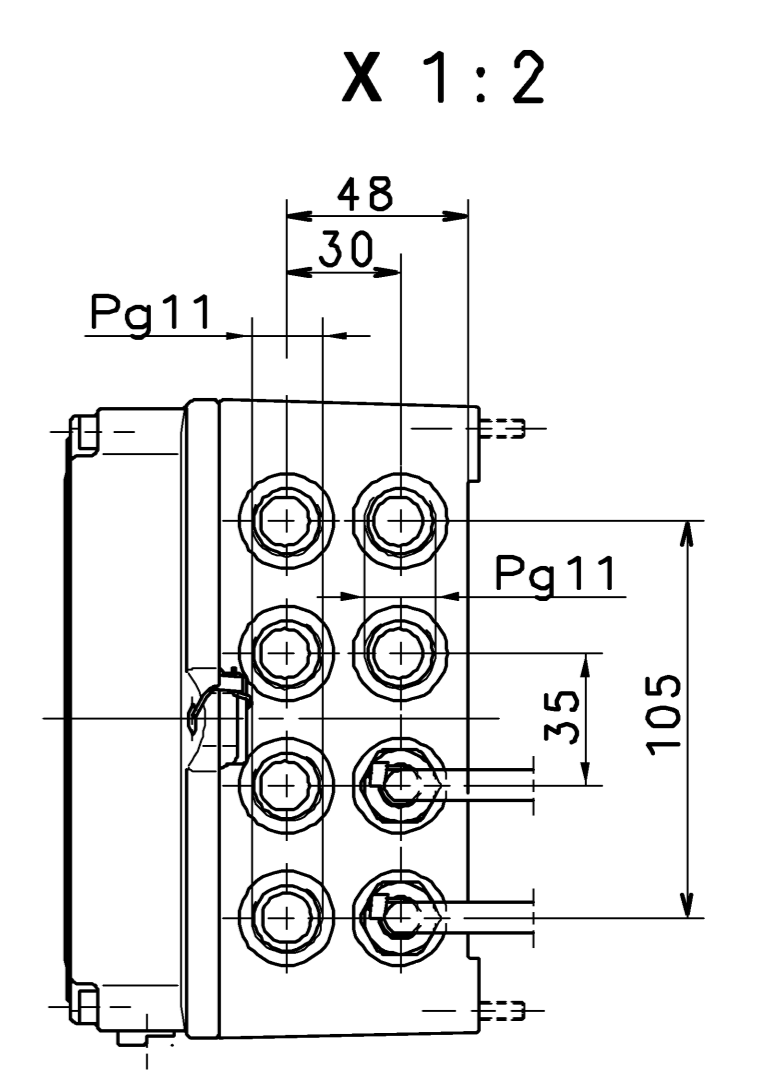


1
2
3
4
5
6
7
8
9
10
11
12



III
TORQUE
ANZUGSMOMENT
COUPLE DE SERRAGE
COPPIA DI SERRAGGIO
M_a = 6% Nm



CONFIGURATION OF THE SYSTEM
SYSTEMKONFIGURATION
CONFIGURATION DU SYSTEME
CONFIGURAZIONE DEL SISTEMA } 6 x 0

VOLTAGE
SPANNUNG
VOLTAGE
VOLTAGGIO } 24V =

FITTED BY THE CUSTOMER. INSTALLATION ACCESSORIES INSIDE
WIRD VOM KUNDEN MONTIERT. INSTALLATIONSMATERIAL INNEN
MONTE PAR LE CLIENT. MATERIEUX D'INSTALLATION INTERIEUR
MONTATO PER MEZZO DAL CLIENTE. MATERIALE D'INSTALLAZIONE INTERNO *

**
COLOR
FARBE
COULEUR
COLORE } GREY
GRAU RAL 7001
GRISE
GRIGIO

INSTALLATION POSITION
EINBAULAGE
POSITION D'INSTALLATION
POSIZIONE DI MONTAGGIO

THERMAL RANGE OF APPLICATION
THERM. ANWENDUNGSBEREICH
GAMME D'APPLICATION THERMIQUE
CAMPO DI APPLICAZIONE TERMICA } -40° ... +65°C

TYPE OF PROTECTION
SCHUTZART IN MONTIERTEM ZUSTAND
MODE DE PROTECTION
TIPO DI PROTEZIONE } IP 54A
IEC 529 / EN 60529

FURTHER TECHNICAL DATE SEE
WEITERE TECHNISCHE DATEN SIEHE
POUR INFORMATION COMPLEMENTAIRES VOIR : 446 055 066 0 / 535
PER INFORMAZIONI ULTERIORI VEDI :

SURFACE PROTECT/OBERFL. SCHUTZ/PROTECTION DE SURFACE/PROTEZIONE DI SUPERFICIE

I	JED-259, JED-461
II	JED-345
III	JED-378

GENERAL SPECIFICATION: JED-334		CAD/DRAWING CONTROL		WABCO	
FURTHER TECHNICAL DATA:		DATE		SIGNATURE	
DOC. CODE:		SHEET: 10		DRAWN: 99-01-28 PFENNIG	
GENERAL TOLERANCES		CHECKED: 99-01-28 MEIER		STANDARDIZATION:	
RANGE OF NOMINAL DIMENSIONS (± mm)		111138 1xG 06-12-01		MASS SCALE	
CLASS 1)	≤50 >50 ≤180 >180 ≤400 >400	100409 1xF 05-10-05	093475 1xE 05-01-26	4,3 kg	1:1 (1:2)
FINE	0,5 1,0 1,5 2,0	093445 5xD 04-12-15		PRODUCT IDENTIFICATION NO.	DOC. CODE SHEET
MEDIUM	1,0 2,0 3,0 4,0	082379 4xC 02-04-08		446 120 021 0	605 1/1
COARSE	2,0 3,5 5,0 6,5	070492 1xB 99-04-15		SHAPE CODE	REPLACEMENT FOR
TAPPED HOLES ACC. ISO 4038 / JED-152	070450 1xA 99-03-08				
1) TOLERANCE CLASS APPLIED CROSSMARKED		DGN-NO. REV. DATE		EXPERT CODE 047	

1009/016/12/04-83