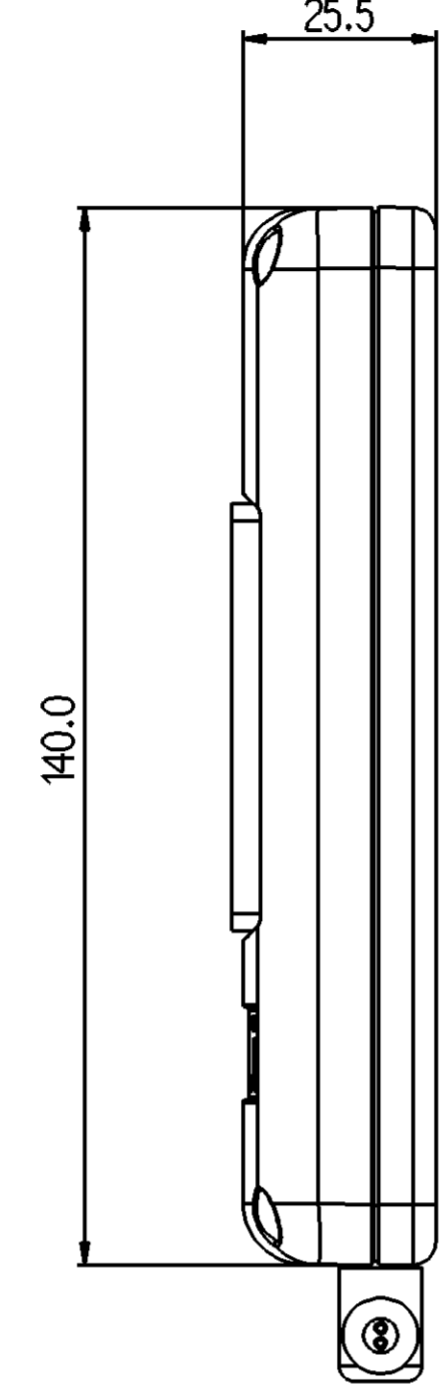
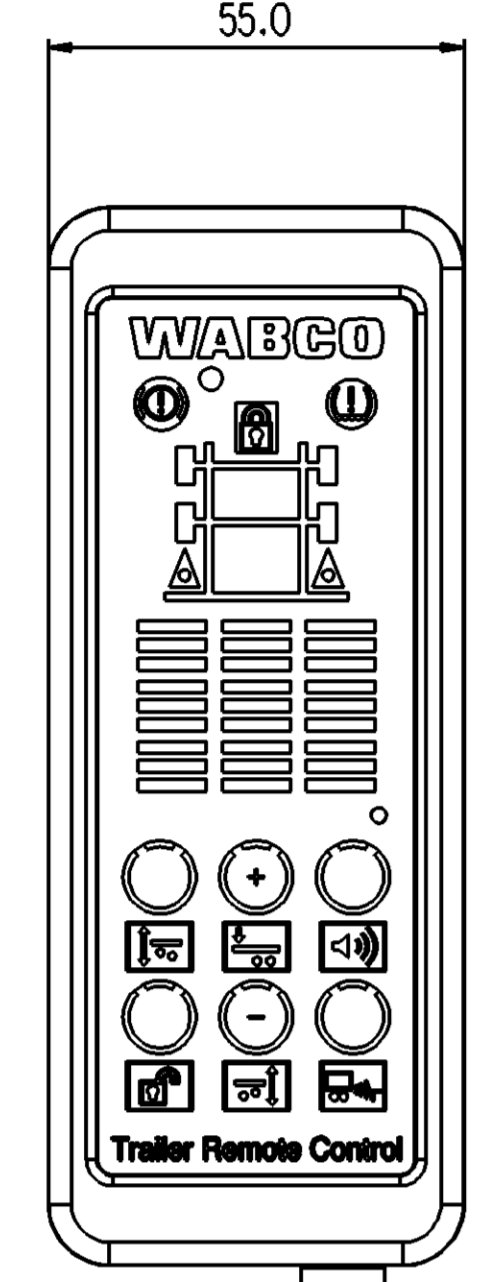


VOLTAGE:  
SPANNUNG: 10 V ... 30 V  
TENSION:  
TENSIONE:

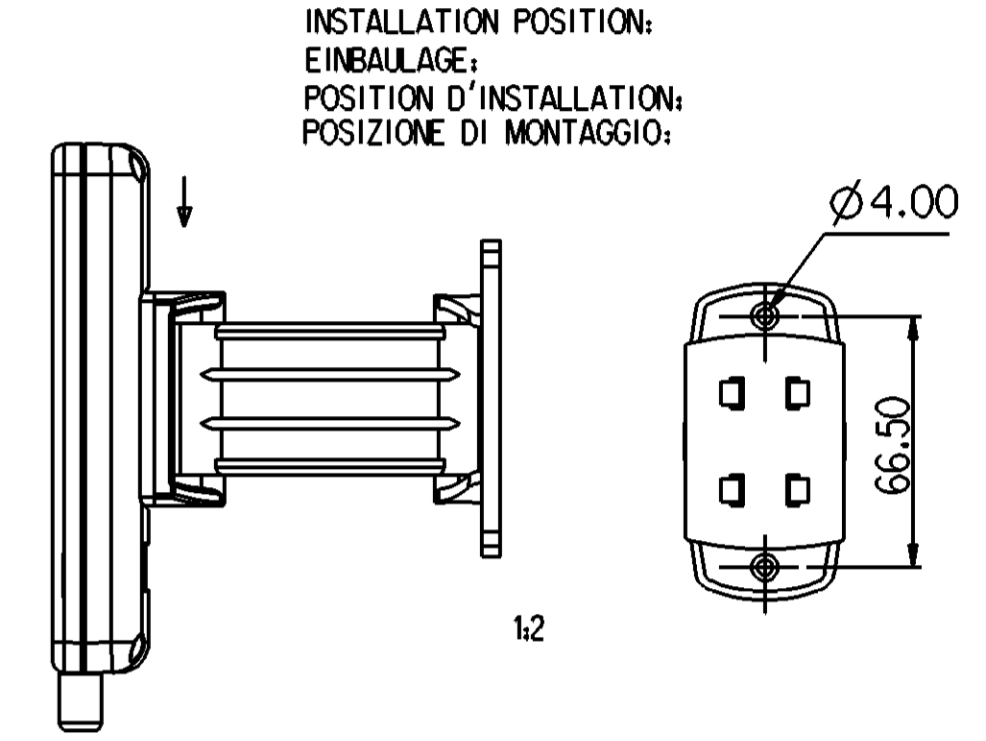
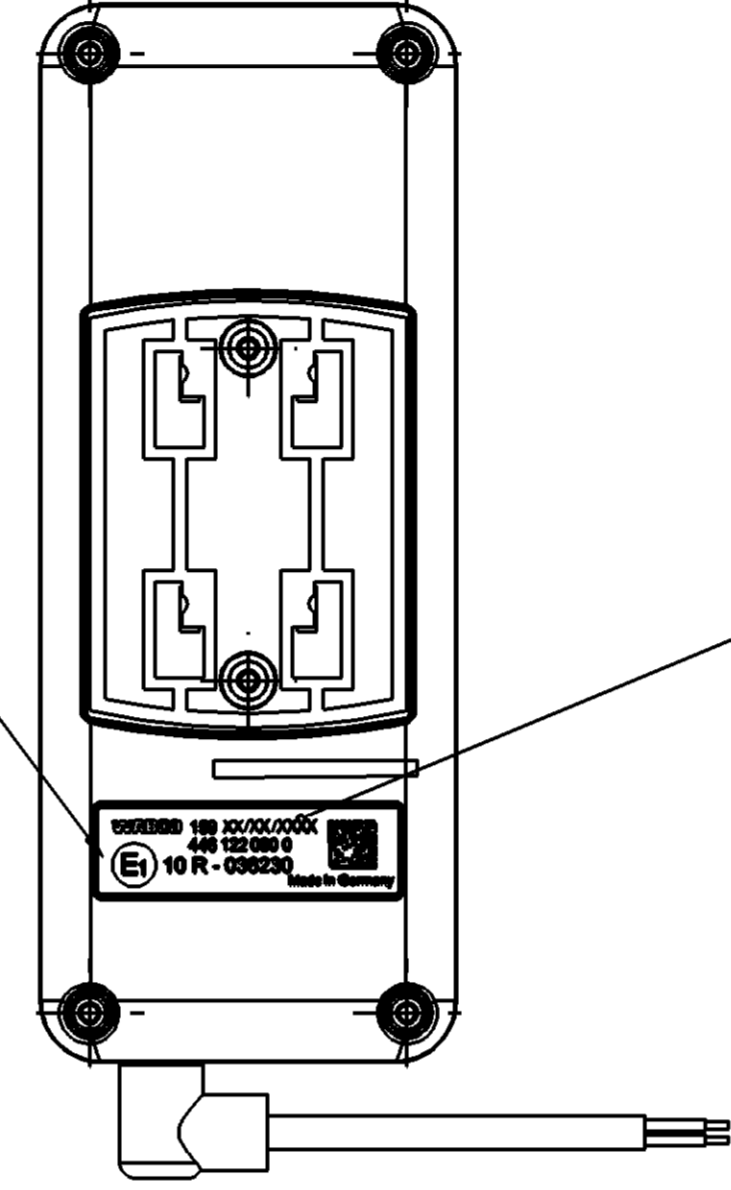
DEGREE OF PROTECTION:  
SCHUTZART: IP42  
DEGRE DE PROTECTION:  
GRADO DI PROTEZIONE:

DATE OF MANUFACTURE:  
HERSTELLDATUM: JED-226  
DATE DE FABRICATION:  
DATA DI FABRIZIONE:

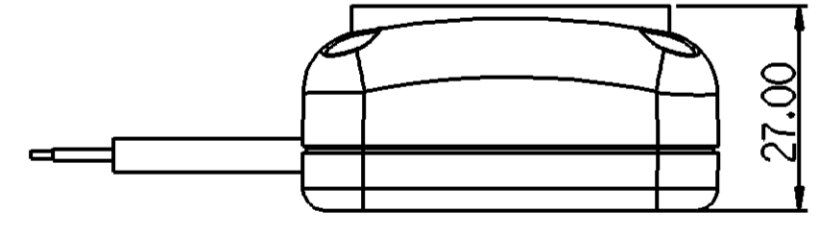
LEVEL OF PLC-SIGNAL:  
PESEL FÜR PLC-SIGNAL: >= 1,9V<sub>SS</sub>  
NIVEAU PLC-SIGNAL:  
IDROMETRO PER PLC-SEGNALE:



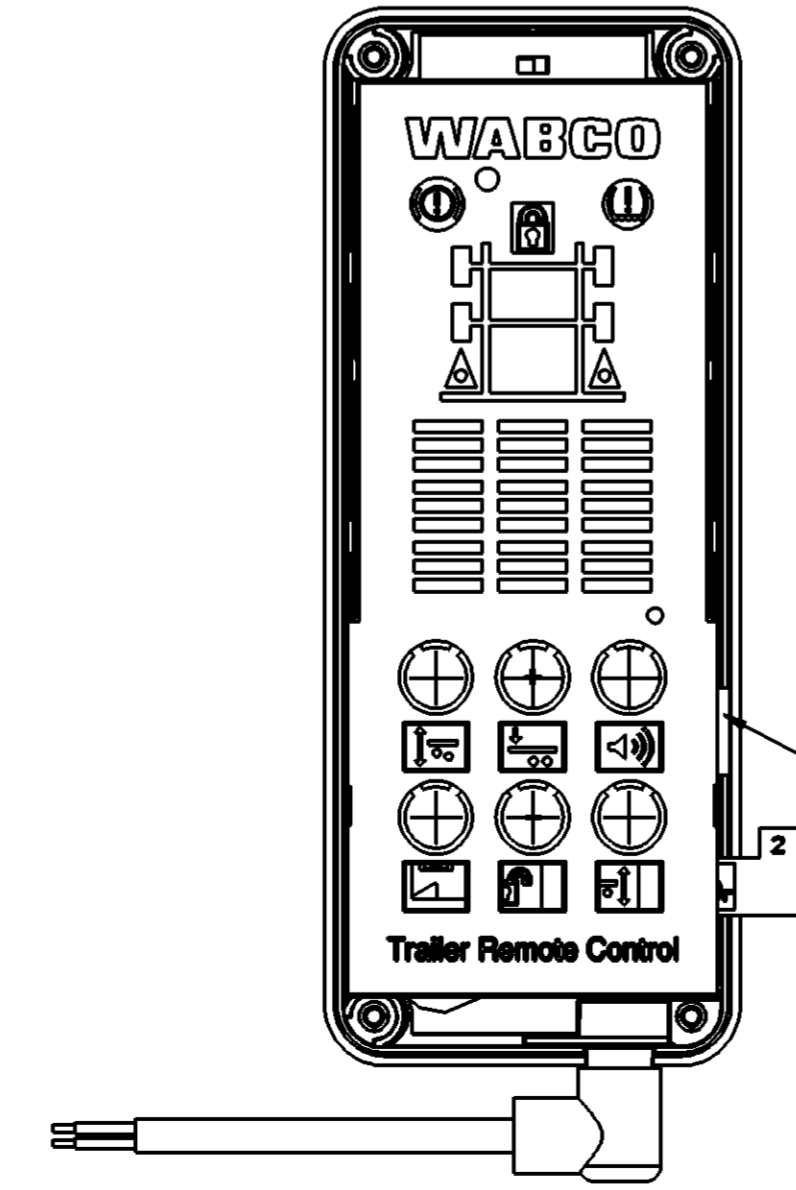
CC  
E1 ZEICHEN/SIGN  
E1 ZULASSUNGSNUMMER/  
APPROVAL NUMBER



KABEL SEPARAT MITGELIEFERT.  
CABLE DELIVERED SEPARATELY.



ANSICHT OHNE GEHÄUSEOBERTEIL  
VIEW WITHOUT HOUSING UPPER PART



AUSWECHSELBARE EINSCHUBSTREIFEN  
DRAWER SCREEN INTERCHANGEABLE

WEIGHT: CA. 0.22kg  
GEWICHT: CA. 0.22kg  
POIDS: CA. 0.22kg  
PESO: CA. 0.22kg

THERMAL RANGE OF APPLICATION  
UNDER NORMAL AMBIANT CONDITIONS:  
THERMISCHER ANWENDUNGSBEREICH  
UNTER NORMALEN UMGEBUNGSBEDINGUNGEN: -40°C ... +85°C  
GAMME D'APPLICATION THERMIQUE  
EN UTILISATION CONTINUE DE:  
CAMPO TERMICO D'APPLICAZIONE  
NELLE NORMALI CONDIZIONI AMBIENTALI:

FURTHER TECHNICAL DATA SEE PRODUCT SPECIFICATION:  
WEITERE TECHNISCHE DATEN SIEHE PRODUKTSPEZIFIKATION:  
POUR AUTRES DONNEES TECHNIQUES VOIR SPECIFICATION DU PRODUIT:  
PER ULTERIORI DATI TECNICI VEDERE SPECIFICA DI PRODOTTO:  
446 122 080 0, Doc. code 042

SHORT TERM RESISTANCE TO HEAT:  
KURZZEITIGE WÄRMEBESTÄNDIGKEIT: MAX. 85°C  
RESISTANCE THERMIQUE TEMPORAIRE:  
RESISTANZA TERMICA PER BREVE PERIODO:

STORAGE TEMPERATURE:  
LAGERTEMPORATUR: -20°C ... +50°C  
TEMPERATURE DE STOCKAGE:  
TEMPERATURA DI IMMAGAZZINAMENTO:

SURFACE GRAINED ACCORDING TO:  
OBERFLÄCHE GENARBT GEMAESS: JED-533-035 (VDI 3400 REF. 24)  
SUPERFICIE GRANITA SECONDO:

SEPARAT MITGELIEFERT DELIVERED SEPARATELY	MENGE UNITS
KABEL CABLE	1
BEFESTIGUNGSSYSTEM MOUNTING SYSTEM	1
VERSCHIEDENE EINSCHUBSTREIFEN DIFFERENT SLOT STRIPES	6

STECKERBELEGUNG  
CONNECTOR PIN ASSIGNMENT

STECKER CONNECTOR	LITZEN WIRES	SIGNAL SIGNAL
INNENKONTAKT INNERCONTACT	ROT RED	VCC
AUSSENKONTAKT OUTERCONTACT	SCHWARZ BLACK	GND

02 MERKMALE CC UND SC NACH RN 02005  
CHARACTERISTICS SEE RN 02005

WABCO-SACHNUMMER: 446 122 080 0  
WABCO-PARTNUMMER: 446 122 080 0

General Specification: JED-334-0		Copyright WABCO®	
Further Technical Data:		Date:	Signature:
Doc. Code:	Sheet: To:	2017-08-31	Bolago
General Tolerances JED-261		Checked:	2017-09-14
Range of Nominal Dimensions ( ± mm)		Expert	
Class	1) ≤ 50	2) 50 > 180	3) 180 > 400
Fine	0.5	1.0	1.5
Medium	1.0	2.0	3.0
Coarse	2.0	3.5	5.0
Tapped Holes acc.		±3°	
Mass	0.220	Scale	1:1
Size	A 1	Revision	2x
Material No.		Date of first issue:	200-03-08
446 122 080 0		Doc.Code	005
ELEX Trailer Control Electronic / TRC		Language	ML
ELEX Trailer Control Electronic / TRC		Sheet	1/1
ELEX Trailer Control Electronic / TRC		Replacement for	
ELEX Trailer Control Electronic / TRC		-	