

VOLTAGE :
 SPANNUNG : 24V ±5% DC *
 VOLTAGE :
 VOLTAGGIO :

THERMAL RANGE OF APPLICATION :
 THERM. ANWENDUNGSBEREICH : -40°...+75°C
 GAMME D' APPLICATION THERMIQUE :
 CAMPO DI APPLICAZIONE TERMICA :

STORING TEMPERATURE :
 LAGERTEMPERATUR : -40°...+90°C *
 TEMPERATURE D' UTILISATION :
 TEMPERATURA DI ESERCIZIO :

PROTECT TYPE :
 SCHUTZART : IP 30 (IEC 529)
 MODE DE PROTECTION :
 MODO DI PROTEZIONE :

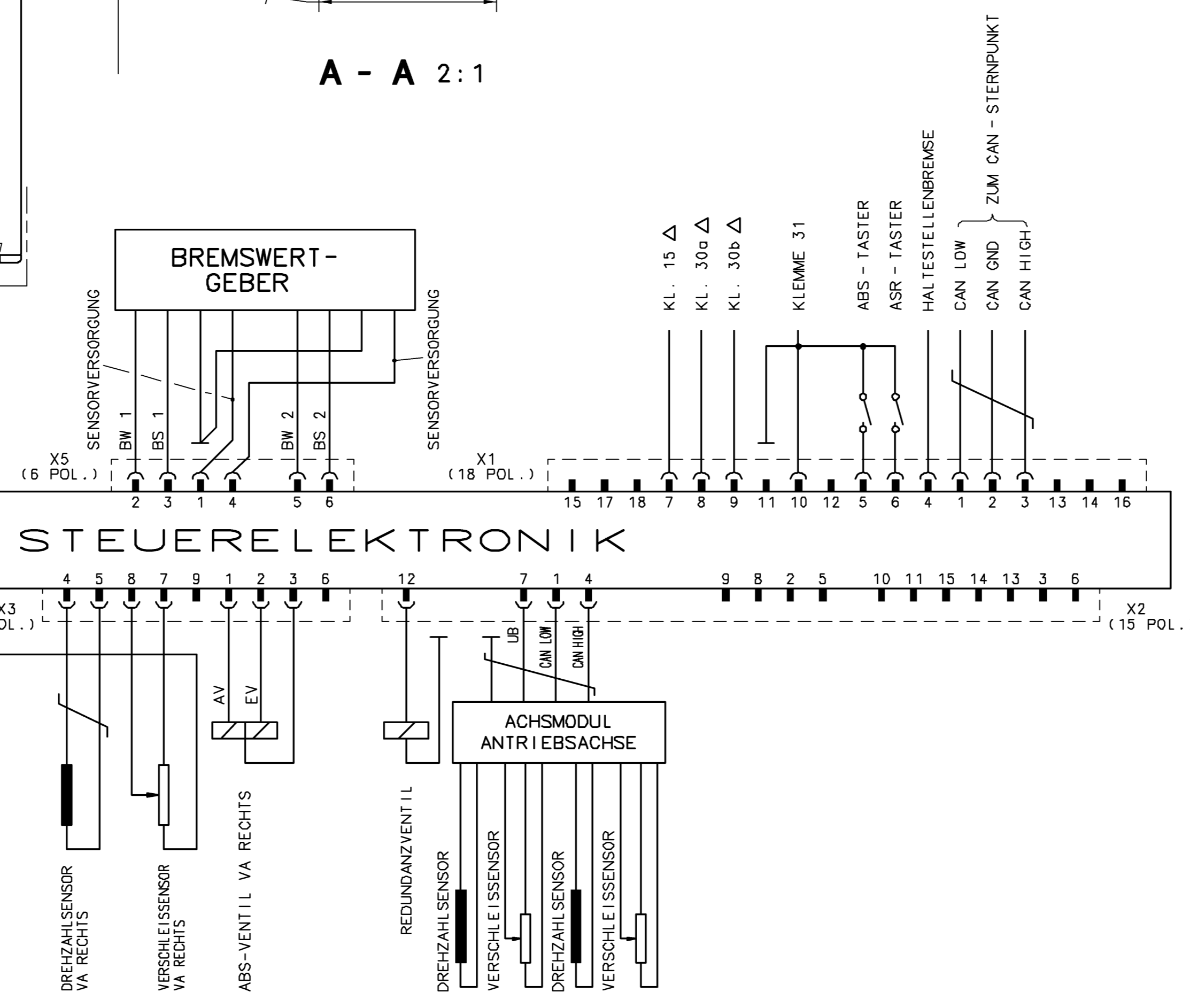
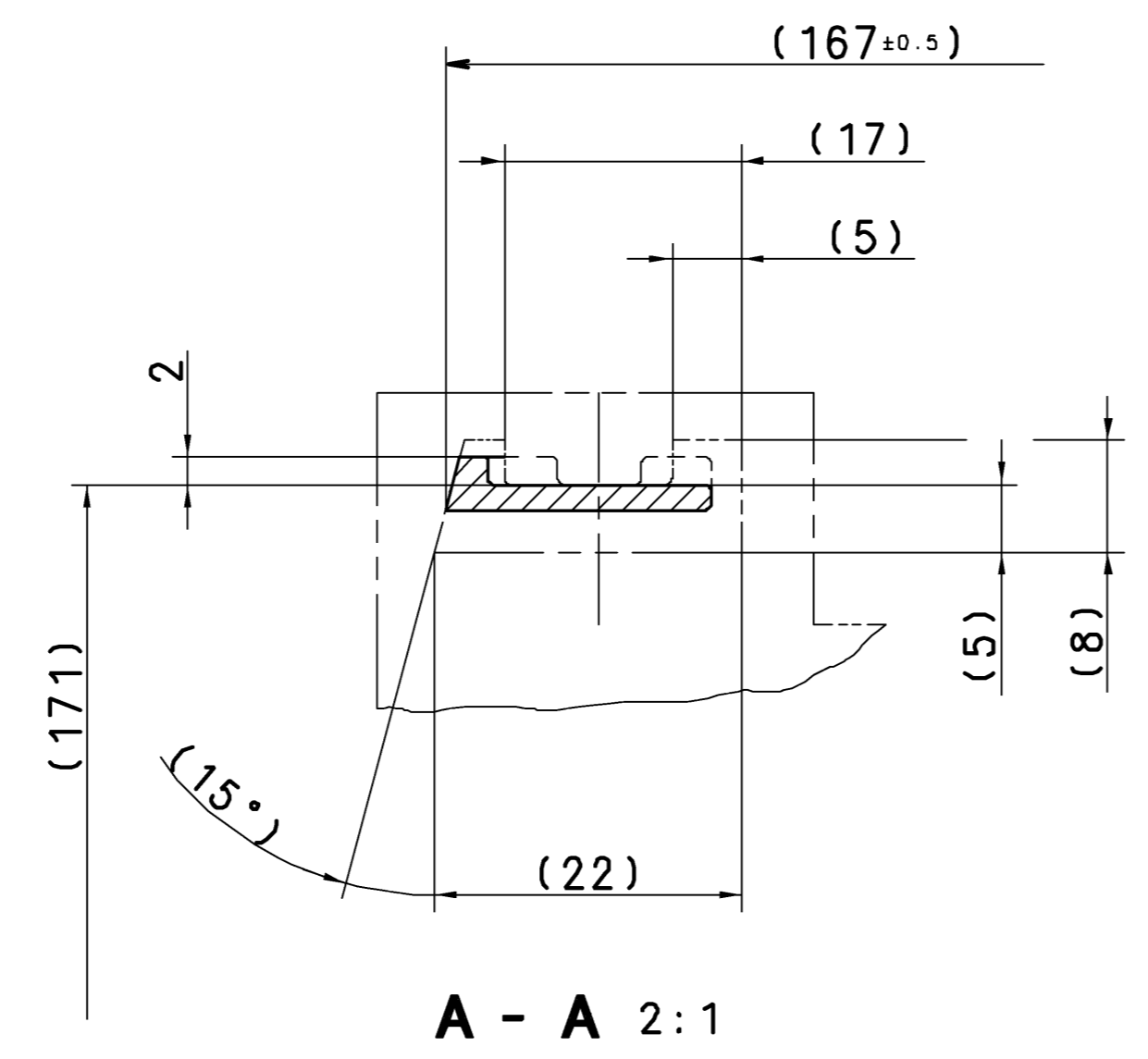
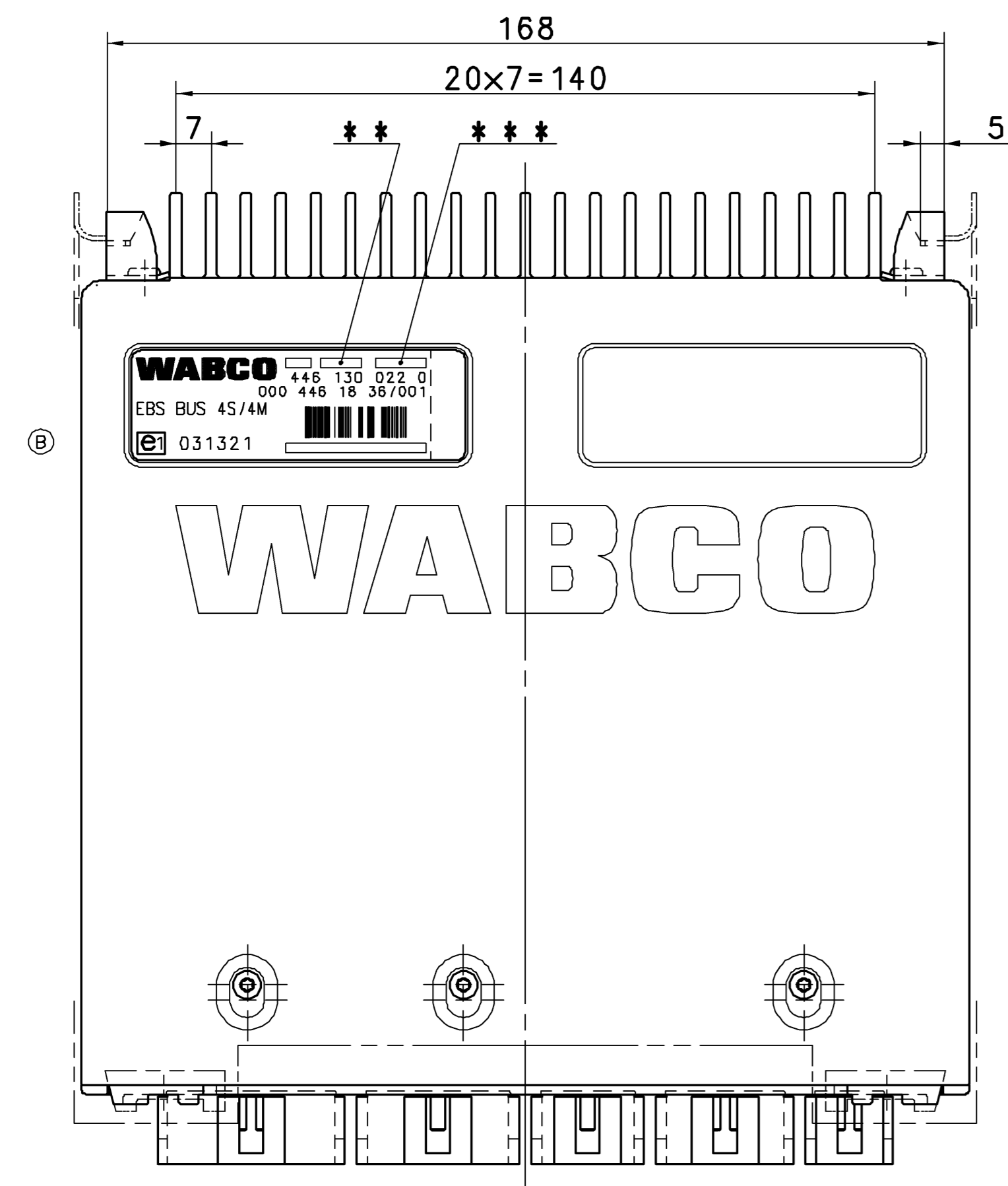
MALE MULTIPOINT CONNECTOR: SURFACE PROTECTION : GAL AG 3
 MESSERLEISTE: OBERFLAECHENSCHUTZ :
 CONNECTEUR MALE MULTIBROCHE: PROTECTION DE SURFACE :
 SPINE MULTIPA: PROTEZIONE SUPERFICIALE :

INSTALLATION POSITION : OPTIONAL
 EINBAULAGE : BELIEBIG
 POSITION D' INSTALLATION: QUELCONQUE
 POSIZIONI DI MONTAGGIO : A SCELTA

FOR FURTHER DETAILS SEE PRODUCT SPECIFICATION
 * FUER WEITERE DETAILS SIEHE PRODUKTSPEZIFIKATION

** DATE OF MANUFACTURE :
 HERSTELLDATUM : JED-226
 DATE DE FABRICATION :
 DATA DI FABBRICAZIONE :

*** SERIAL NUMBER GREATER THAN : 2000 (B)
 FORTSCHRITZAHN GROESSER ALS :
 NUMERO DE SERIE PLUS GRAND QUE :
 NUMERO DI SERIE PIU GRANDE DI :



Δ DIN 72552 BLATT 2

General Specification: JED-334-0		Copyright WABCO		WABCO	
Further Technical Data:		Date: 08-06-17		Signature: STEHR	
Doc. Code: 08-06-17		Sheet: 01		To: EPB	
General Tolerances JED-261		Range of Nominal Dimensions (± mm)		ELECTRONIC EPB	
Class 1) < 50 > 50 > 180 > 180 > 400 > 400		Tolerance		ELEKTRONIK EPB-ZENTRALMODUL	
Fine 0.5 1.0 1.5 2.0		Material No.		ELECTRONIQUE EPB 45/4M	
Medium X 1.0 2.0 3.0 4.0		446 130 022 0		ELETRONICA EPB	
Coarse 2.0 3.5 5.0 6.5		Doc. Code: 005 ML		1/1	
Tapped Holes acc.		Size: A 1		Tech. Resp. B	
1) Tolerance Class Applied Crossmarked		EON-NO: 116049		Replacemnt For: 6830_E	

This document is a technical drawing of a product. It is intended for use by the customer and the manufacturer. It is not to be used for any other purpose. The customer is responsible for the correct use of the product. The manufacturer is responsible for the quality of the product. The customer is responsible for the safety of the product. The manufacturer is responsible for the safety of the product.