

SEE DOCUMENT:
 SIEHE DOKUMENT: 858 000 648 4 (DOC. CODE 607)
 VOIR DOCUMENT: 858 000 649 4 (DOC. CODE 607)
 VEDERE DOCUMENTO:

VOLTAGE :
 SPANNUNG : 24V ±5% DC *
 VOLTAGE :
 VOLTAGGIO:

THERMAL RANGE OF APPLICATION :
 THERM. ANWENDUNGSBEREICH : -40°...+75°C
 GAMME D' APPLICATION THERMIQUE:
 CAMPO DI APPLICAZIONE TERMICA:

STORING TEMPERATURE :
 LAGERTEMPERATUR : -40°...+90°C *
 TEMPERATURE D' UTILISATION :
 TEMPERATURA DI ESERCIZIO :

PROTECT TYPE :
 SCHUTZART : IP 30 (IEC 529)
 MODE DE PROTECTION:
 MODO DI PROTEZIONE:

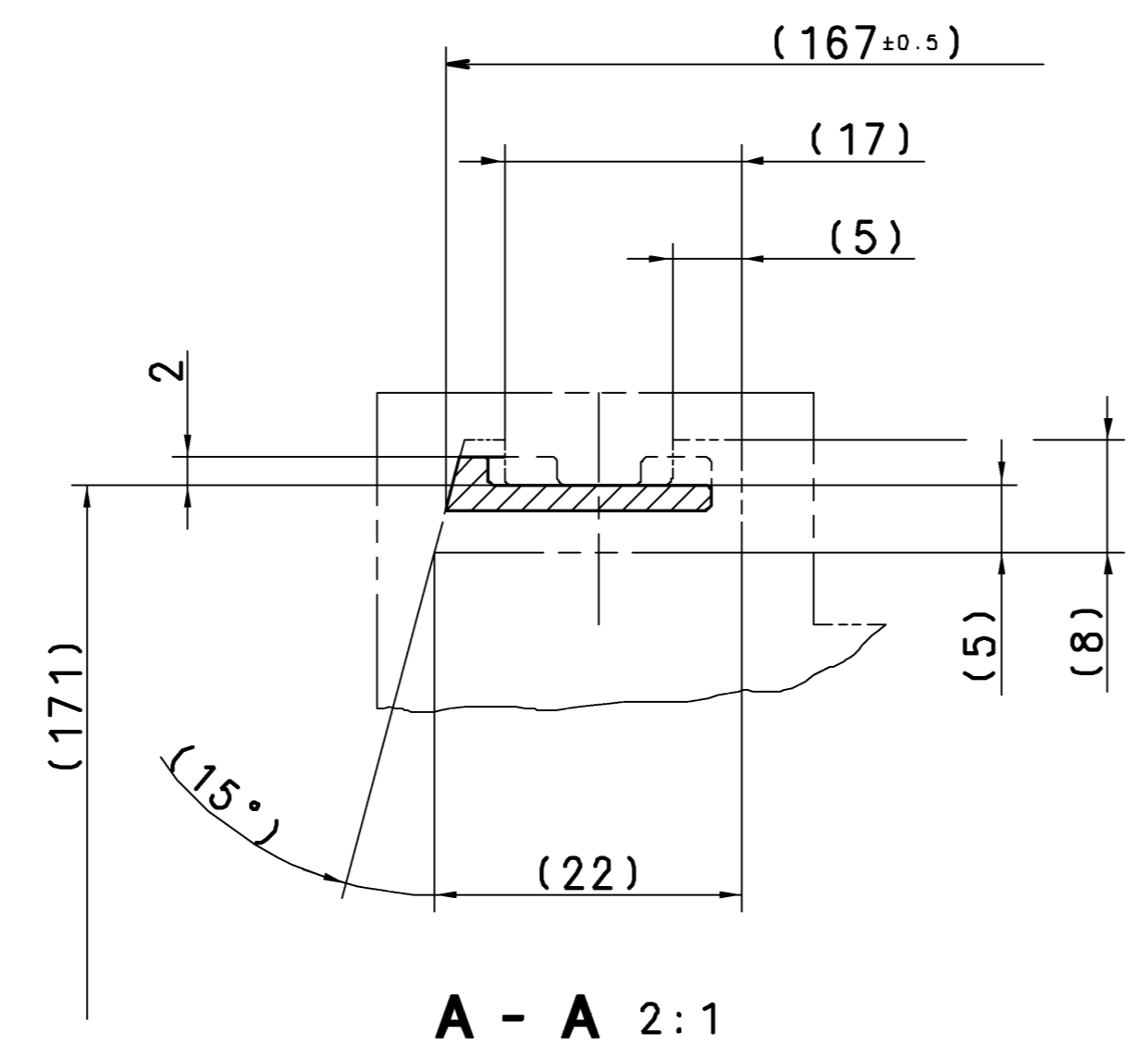
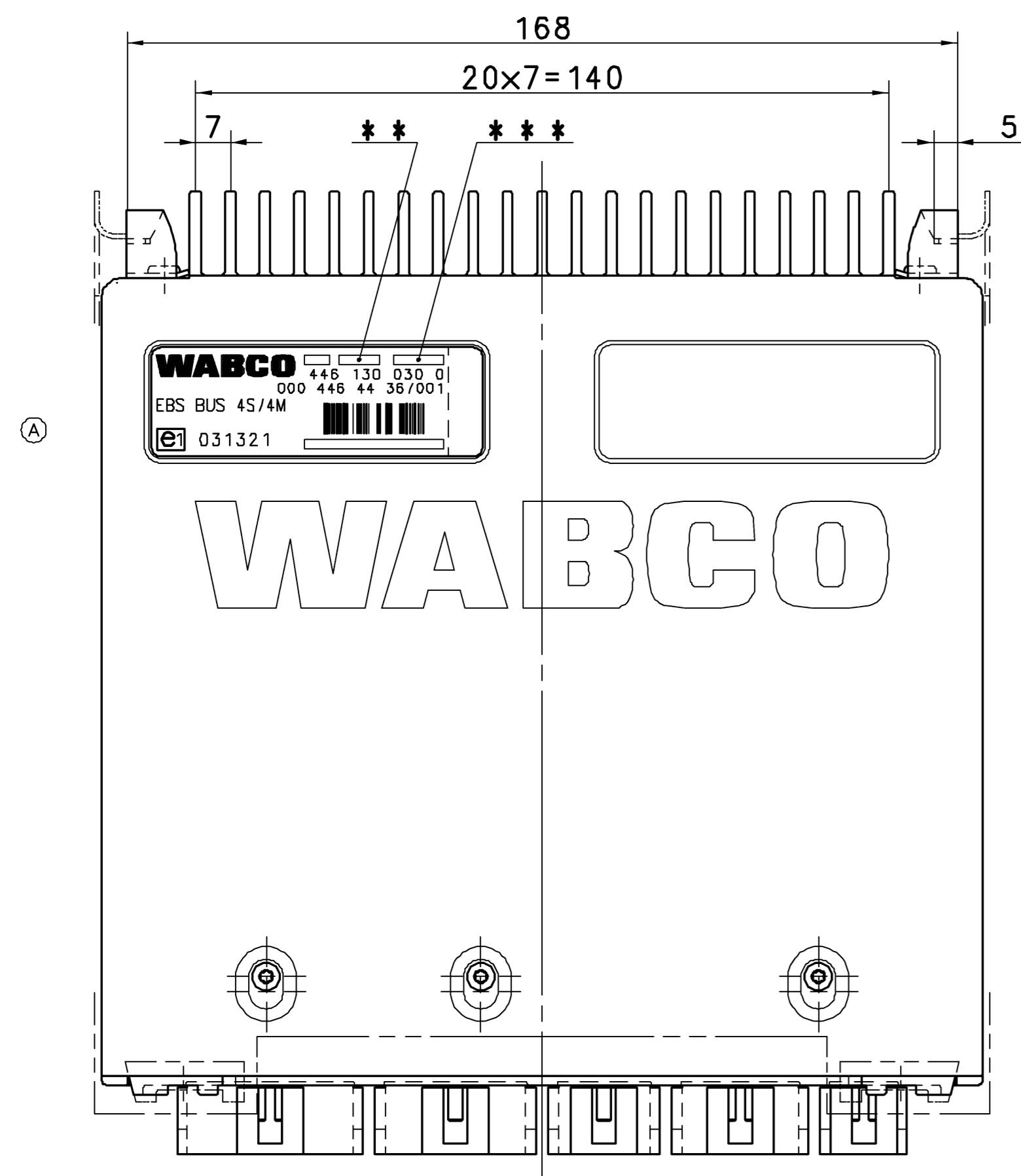
MALE MULTIPOINT CONNECTOR: SURFACE PROTECTION : GAL AG 3
 MESSERLEISTE: OBERFLAECHENSCHUTZ
 CONNECTEUR MALE MULTIBROCHE: PROTECTION DE SURFACE:
 SPINE MULTIPA: PROTEZIONE SUPERFICIALE

INSTALLATION POSITION : OPTIONAL
 EINBAULAGE : BELIEBIG
 POSITION D' INSTALLATION: QUELCONQUE
 POSIZIONI DI MONTAGGIO : A SCELTA

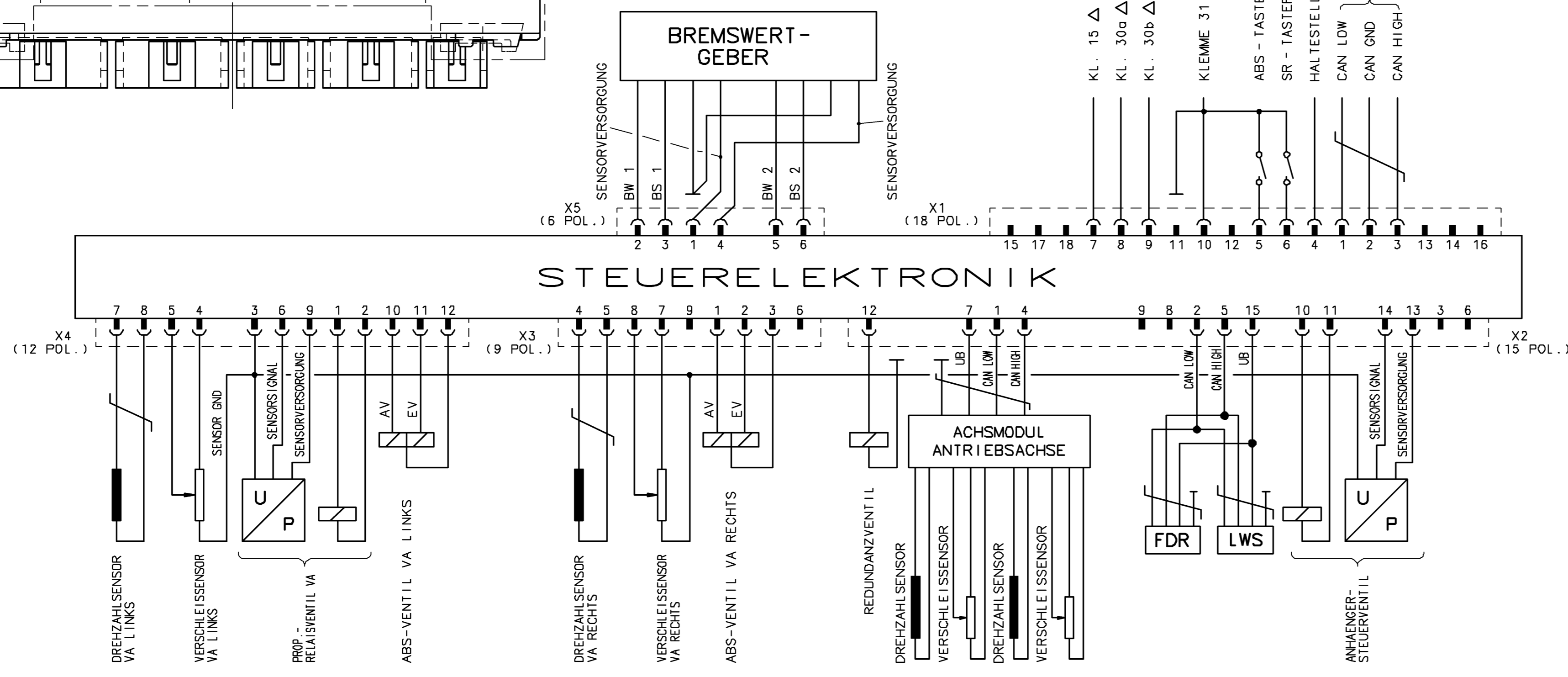
FURTHER TECHNICAL DATA SEE PRODUCT SPECIFICATION
 * WEITERE TECHNISCHE DATEN SIEHE PRODUKTSPEZIFIKATION
 POUR AUTRES DONNEES TECHNIQUES VOIR PRODUCT SPECIFICATION
 PER ULTERIORI DATI TECNICI VERDERE SPECIFICA DI PRODOTTO

** DATE OF MANUFACTURE :
 HERSTELLDATUM : JED-226
 DATE DE FABRICATION :
 DATA DI FABBRICAZIONE:

*** SERIAL NUMBER GREATER THAN :
 FORTSCHRITZAHN GROESSER ALS : SEE CCT (A)
 NUMERO DE SERIE PLUS GRAND QUE:
 NUMERO DI SERIE PIU GRANDE DI :



A - A 2:1



Δ DIN 72552 BLATT 2

General Specification: JED-334-0		Copyright WABCO		WABCO	
Further Technical Data:		Date: 08-03-28		Signature: PFENNIG	
Doc. Code: 08-03-28		Sheet: 1		To: STEHR	
General Tolerances JED-261		Especi: HEINRICH		Material No. 446 130 030 0	
Range of Nominal Dimensions (± mm)		Mass: 0.77 kg		Doc. Code: 005 ML	
Class 1) < 50	> 50 < 180	Scale: 1:1 (2:1)		Sheet: 1/1	
2) 0.5	1.0	Size: A1		ECONo: 116049	
3) 1.0	2.0	Tech. Resp: A		Replacemnt For: 6630_E	
4) 2.0	3.0	Tapped Holes acc.:		100mm	
5) 3.0	4.0	1) Tolerance Class Applied Crossmarked			
6) 4.0	5.0				
7) 5.0	6.5				