

SEE DOCUMENT :
 SIEHE DOKUMENT : 858 000 648 4 (DOC. CODE 607)
 VOIR DOCUMENT : 858 000 649 4 (DOC. CODE 607)
 VEDERE DOCUMENTO :

VOLTAGE :
 SPANNUNG : 24V ±5% DC *
 VOLTAGE :
 VOLTAGGIO :

THERMAL RANGE OF APPLICATION :
 THERM. ANWENDUNGSBEREICH : -40°...+75°C
 GAMME D' APPLICAZIONE TERMICA :
 CAMPO DI APPLICAZIONE TERMICA :

STORING TEMPERATURE :
 LAGERTEMPERATUR : -40°...+90°C *
 TEMPERATURE D' UTILISATION :
 TEMPERATURA DI ESERCIZIO :

PROTECT TYPE :
 SCHUTZART : IP 30 (IEC 529)
 MODE DE PROTECTION :
 MODO DI PROTEZIONE :

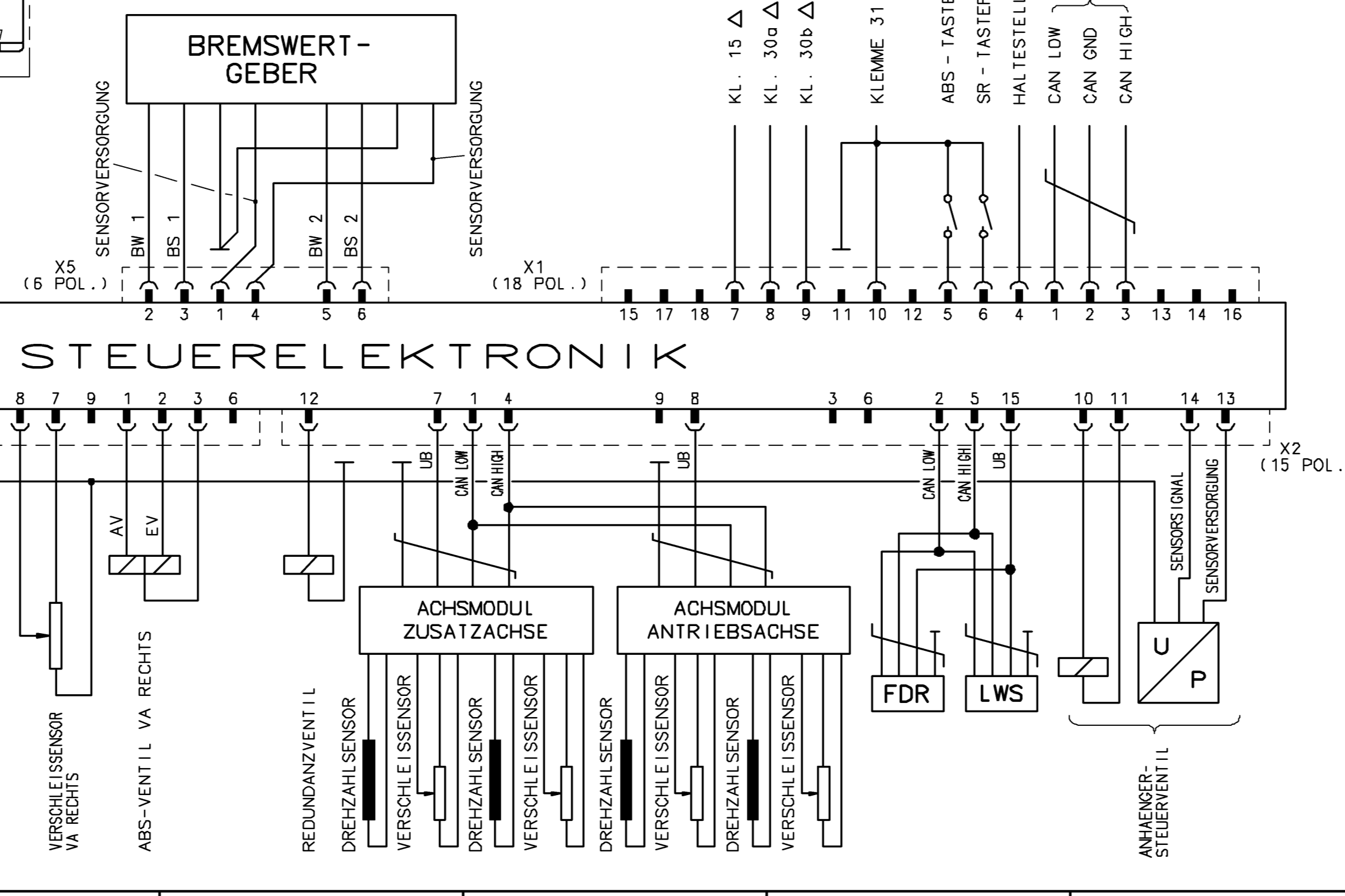
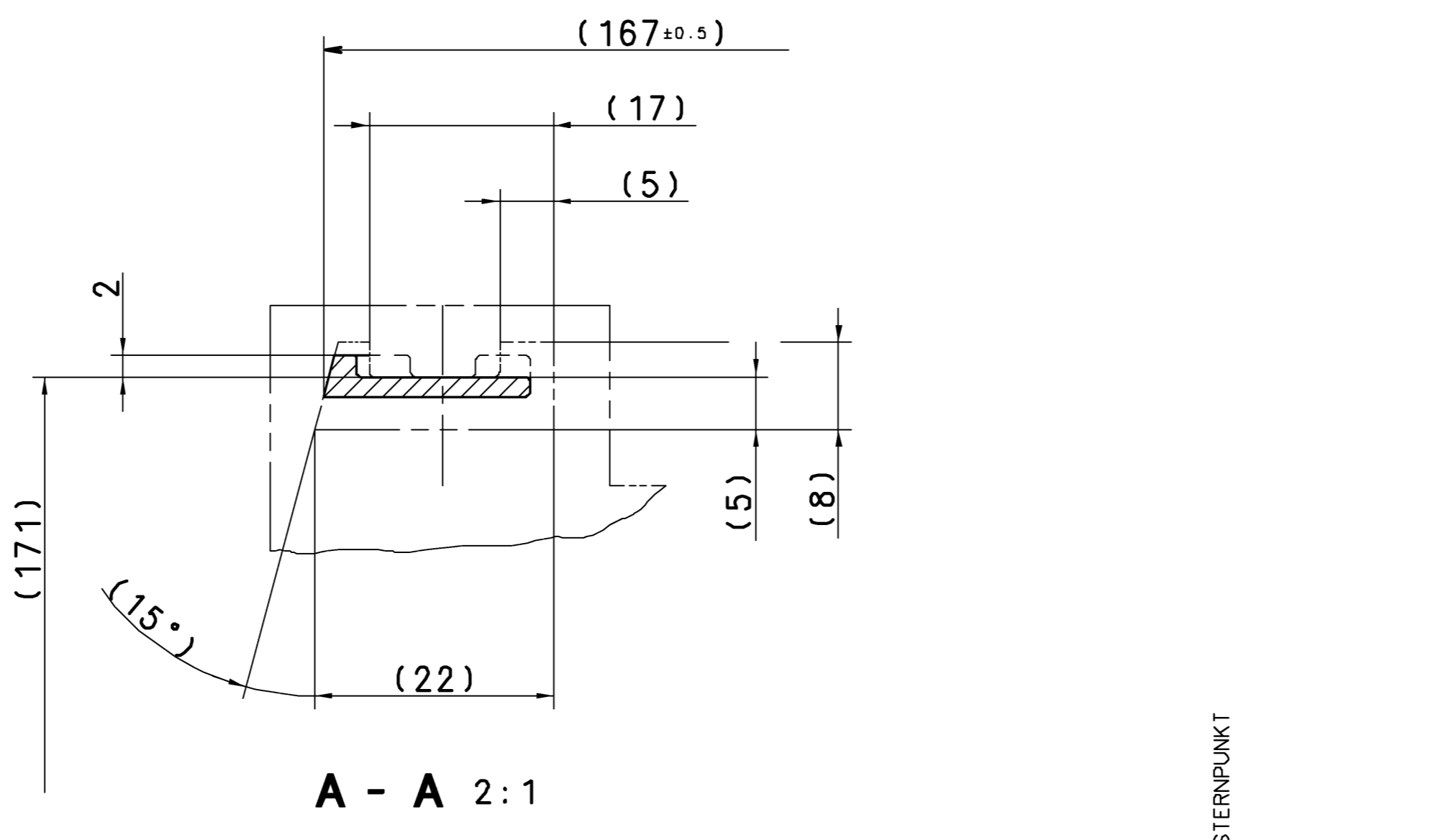
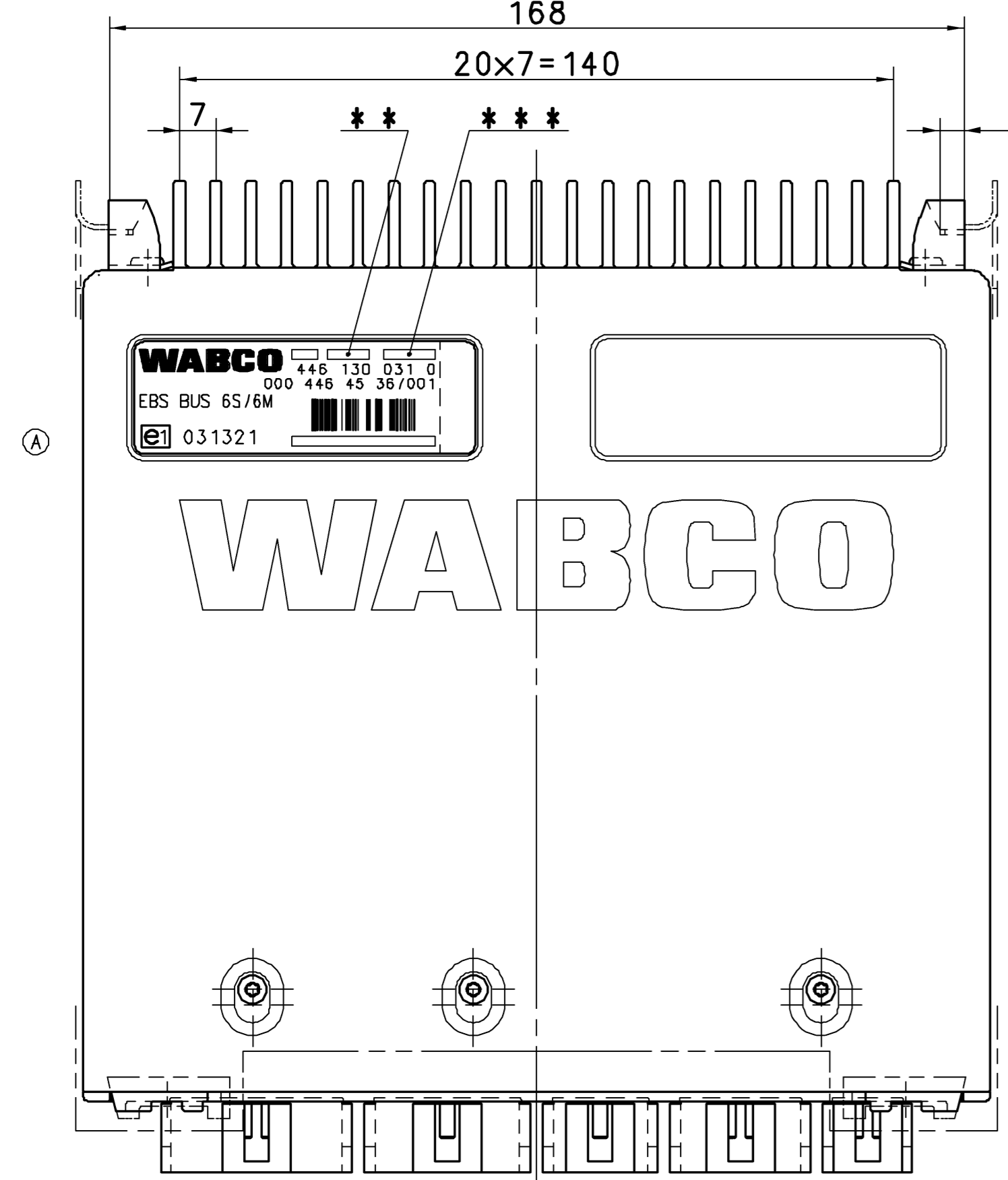
MALE MULTIPOINT CONNECTOR: SURFACE PROTECTION : GAL AG 3
 MESSERLEISTE: OBERFLAECHENSCHUTZ
 CONNECTEUR MALE MULTIBROCHE: PROTECTION DE SURFACE :
 SPINE MULTIPA: PROTEZIONE SUPERFICIALE :

INSTALLATION POSITION : OPTIONAL
 EINBAULAGE : BELIEBIG
 POSITION D' INSTALLATION: QUELCONQUE
 POSIZIONI DI MONTAGGIO : A SCELTA

* FURTHER TECHNICAL DATA SEE PRODUCT SPECIFICATION
 * WEITERE TECHNISCHE DATEN SIEHE PRODUKTSPEZIFIKATION
 * POUR AUTRES DONNEES TECHNIQUES VOIR PRODUCT SPECIFICATION
 * PER ULTERIORI DATI TECNICI VERDERE SPECIFICA DI PRODOTTO

** DATE OF MANUFACTURE :
 HERSTELLDATUM : JED-226
 DATE DE FABRICATION :
 DATA DI FABBRICAZIONE :

*** SERIAL NUMBER GREATER THAN :
 FORTSCHRITZAHN GROESSER ALS : SEE CCT (A)
 NUMERO DE SERIE PLUS GRAND QUE :
 NUMERO DI SERIE PIU GRANDE DI :



Δ DIN 72552 BLATT 2

General Specification: JED-334-0				Copyright WABCO			WABCO		
Further Technical Data:				Date: 08-03-28			Drawing: 08-03-28/EPFENNIG		
Doc. Code: 08-03-28				Sheet: 1			To: STEHR		
General Tolerances JED-261				Range of Nominal Dimensions (± mm)			Error: HEINRICH		
Class 1) ≤ 50				50 > 180			Material No.: 446 130 031 0		
Fine 0.5				1.0 1.5 2.0			Part of first issue: 05-02-28		
Medium X 1.0				2.0 3.0 4.0			Doc. Code: 005 ML 1/1		
Coarse 2.0				3.5 5.0 6.5			Language: A		
Tapped Holes acc. 1)				Size: A 1			Tech. Resp.: 116049		
1) Tolerance Class Applied Crossmarked				CCD			Replacem. For: 6830_E		
				Scale: 1:1 (2:1)			100mm		