

NOTE: PERMISSION TO REPRODUCE OR TRANSMIT THIS DOCUMENT IN ANY FORM OR BY ANY MEANS, WITHOUT PERMISSION IN WRITING FROM WABCO, IS EXPRESSLY FORBIDDEN. WABCO ASSUMES NO LIABILITY FOR INACCURACIES OR OMISSIONS. WABCO ASSUMES NO LIABILITY FOR INACCURACIES OR OMISSIONS. WABCO ASSUMES NO LIABILITY FOR INACCURACIES OR OMISSIONS.

VOLTAGE: 24V +8/-4 DC *
 SPANNUNG:
 VOLTAGE:
 VOLTAGGIO:

STORING TEMPERATURE: -40° ... +90° C *
 LAGERTEMPERATUR:
 TEMPERATURE D'UTILISATION:
 TEMPERATURA DI ESERCIZIO:

THERMAL RANGE OF APPLICATION: -40° ... +75° C
 THERM. ANWENDUNGSBEREICH:
 GAMME D'APPLICATION THERMIQUE:
 CAMPO DI APPLICAZIONE TERMICA:

PROTECT TYPE: IP 30 (IEC 529)
 SCHUTZART:
 MODE DE PROTECTION:
 MODO DI PROTEZIONE:

MALE MULTIPOINT CONNECTOR: SURFACE PROTECTION: GAL AG 3
 MESSERLEISTE: OBERFLÄCHENSCHUTZ:
 CONNECTEUR MALE MULTIBROCHE: PROTECTION DE SURFACE:
 SPINE MULTIPA: PROTEZIONE SUPERFICIALE:

INSTALLATION POSITION: OPTIONAL
 EINBAULAGE: BELIEBIG
 POSITION D'INSTALLATION: QUELCONQUE
 POSIZIONI DI MONTAGGIO: A SCELTA

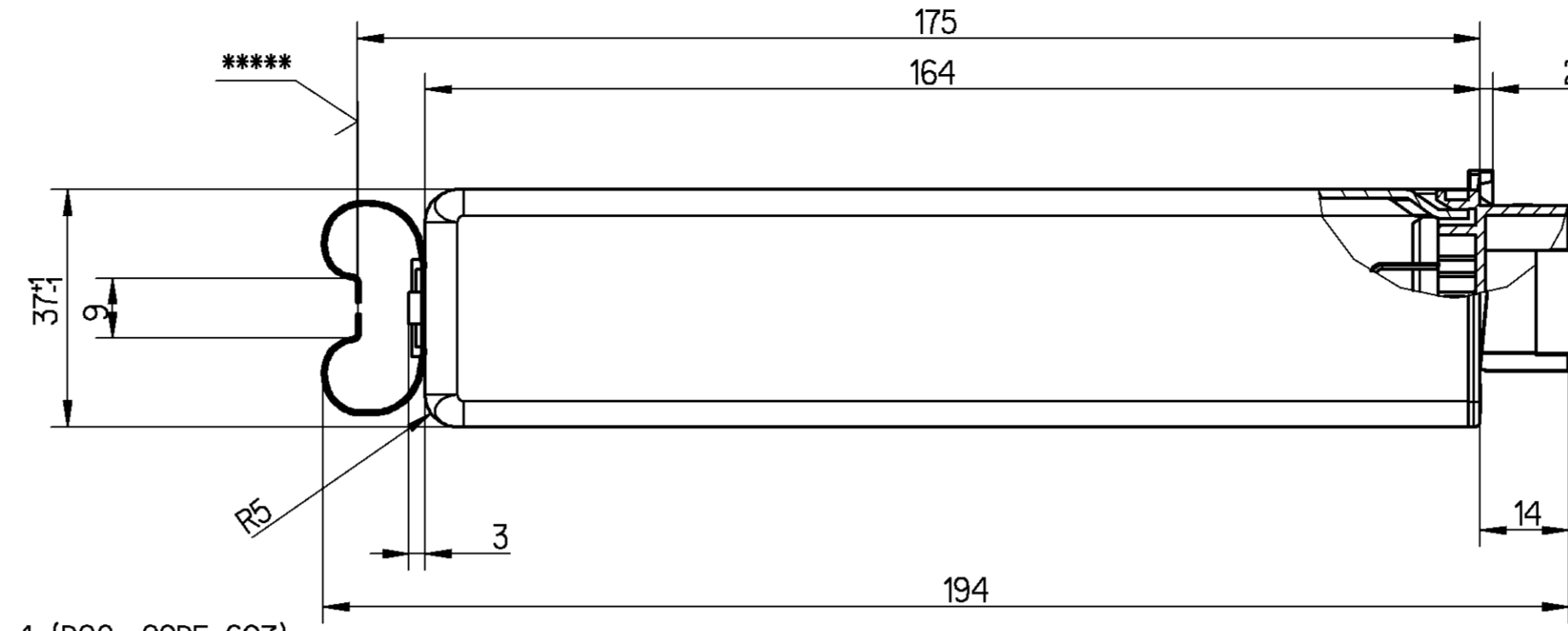
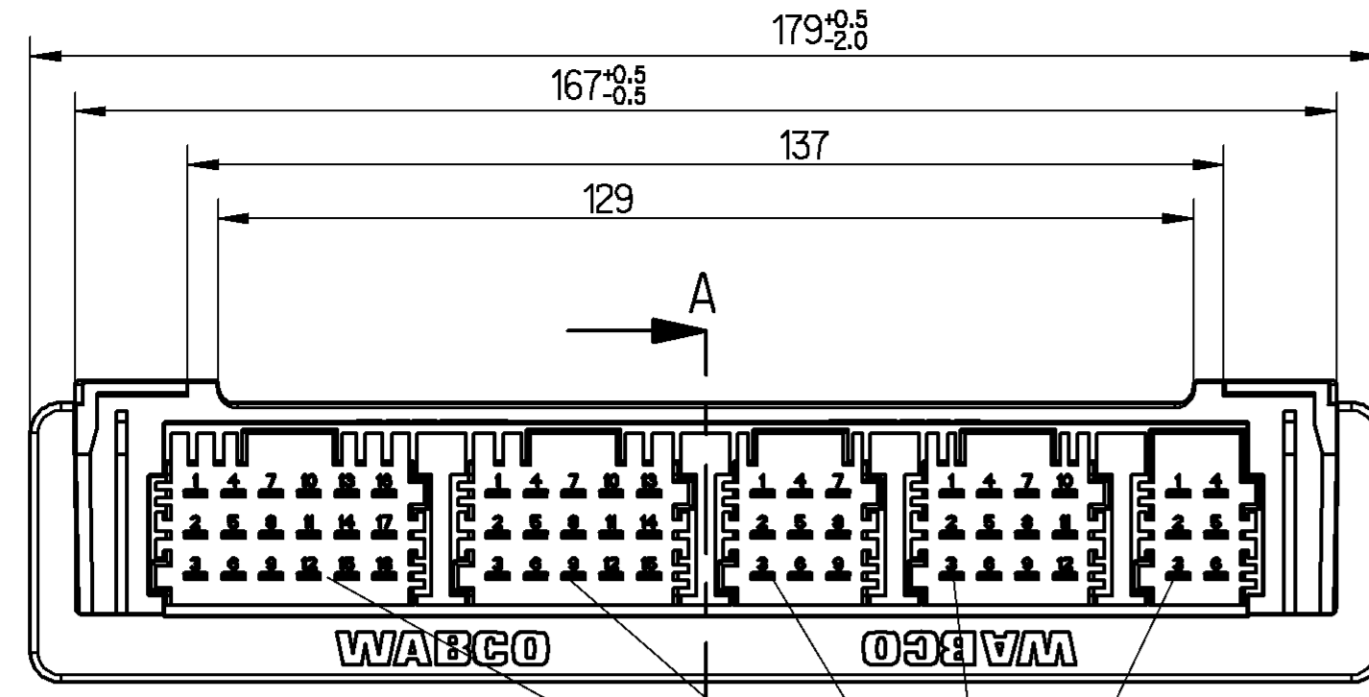
FOR FURTHER DETAILS SEE PRODUCT SPECIFICATION
 * FUER WEITERE DETAILS SIEHE PRODUKTSPEZIFIKATION
 POUR AUTRES DONNEES TECHNIQUES VOIR SPECIFICATION DU PRODUIT
 PER ULTERIORI DATI TECNICI VEDERE SPECIFICA DI PRODOTTO

DATE OF MANUFACTURE: JED-226
 ** HERSTELLDATUM:
 DATE DE FABRICATION:
 DATA DI FABBRICAZIONE:

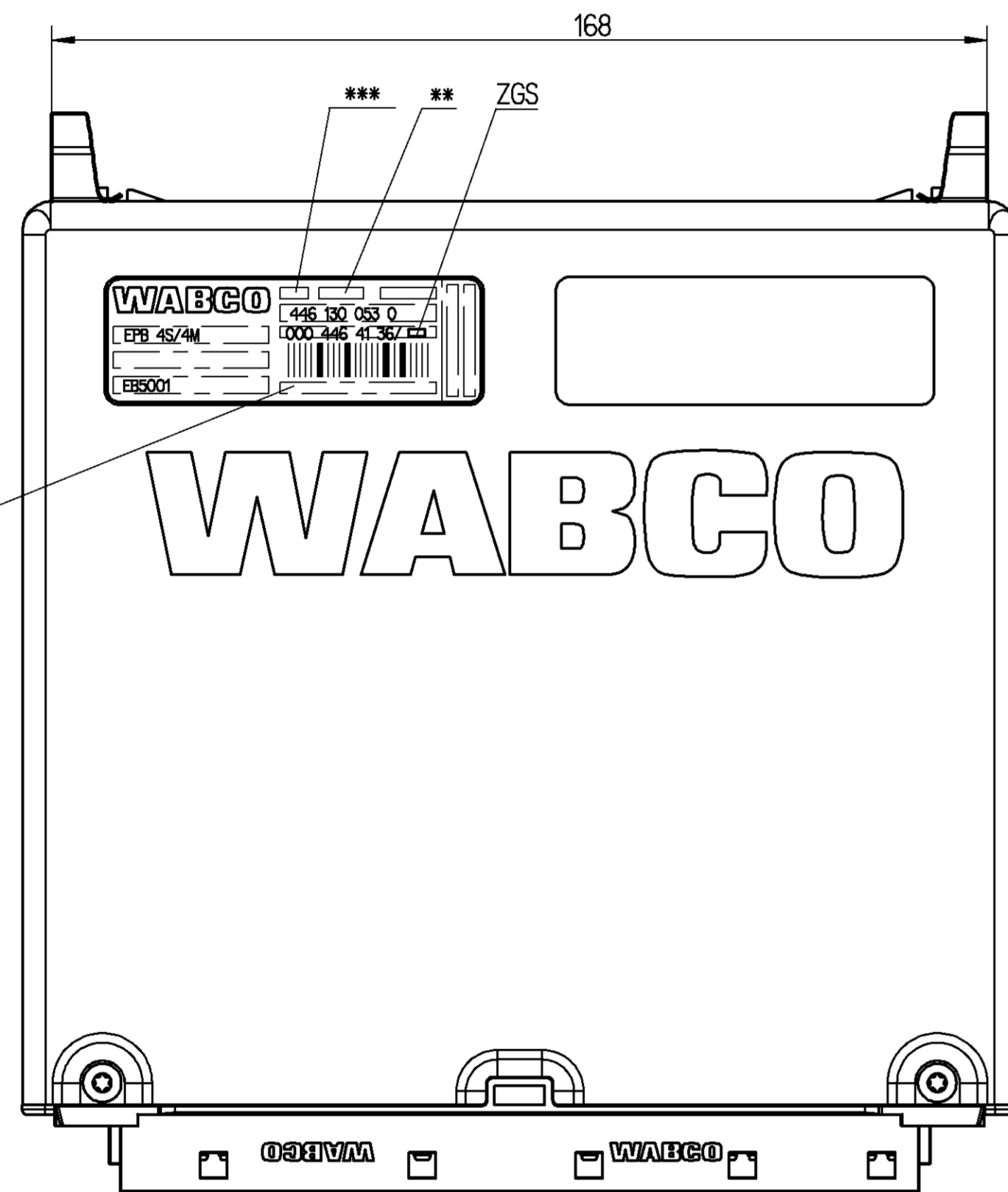
SERIESNUMBER GREATER THAN: SEE CCT
 *** FORTSCHRITTSZAHL GOESSER ALS: SIEHE LEBENSLAUFBLATT
 NUMERO DE SERIE PLUS GRAND QUE:
 NUMERO DI SERIE PIU GRANDE DI:

COUNTRY OF ORIGIN
 **** HERSTELLLAND
 PAYS D'ORIGINE
 PAESE D'ORIGINE

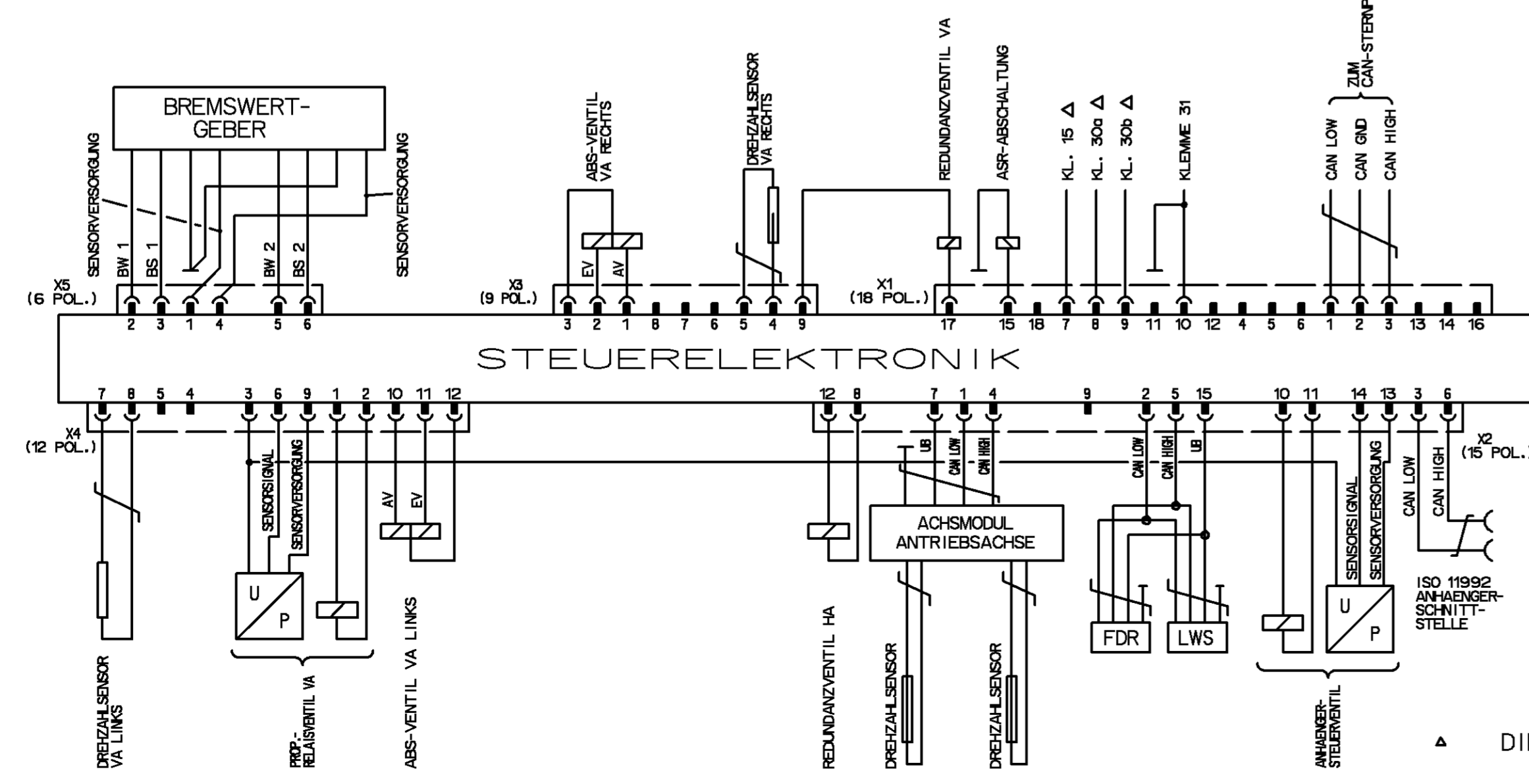
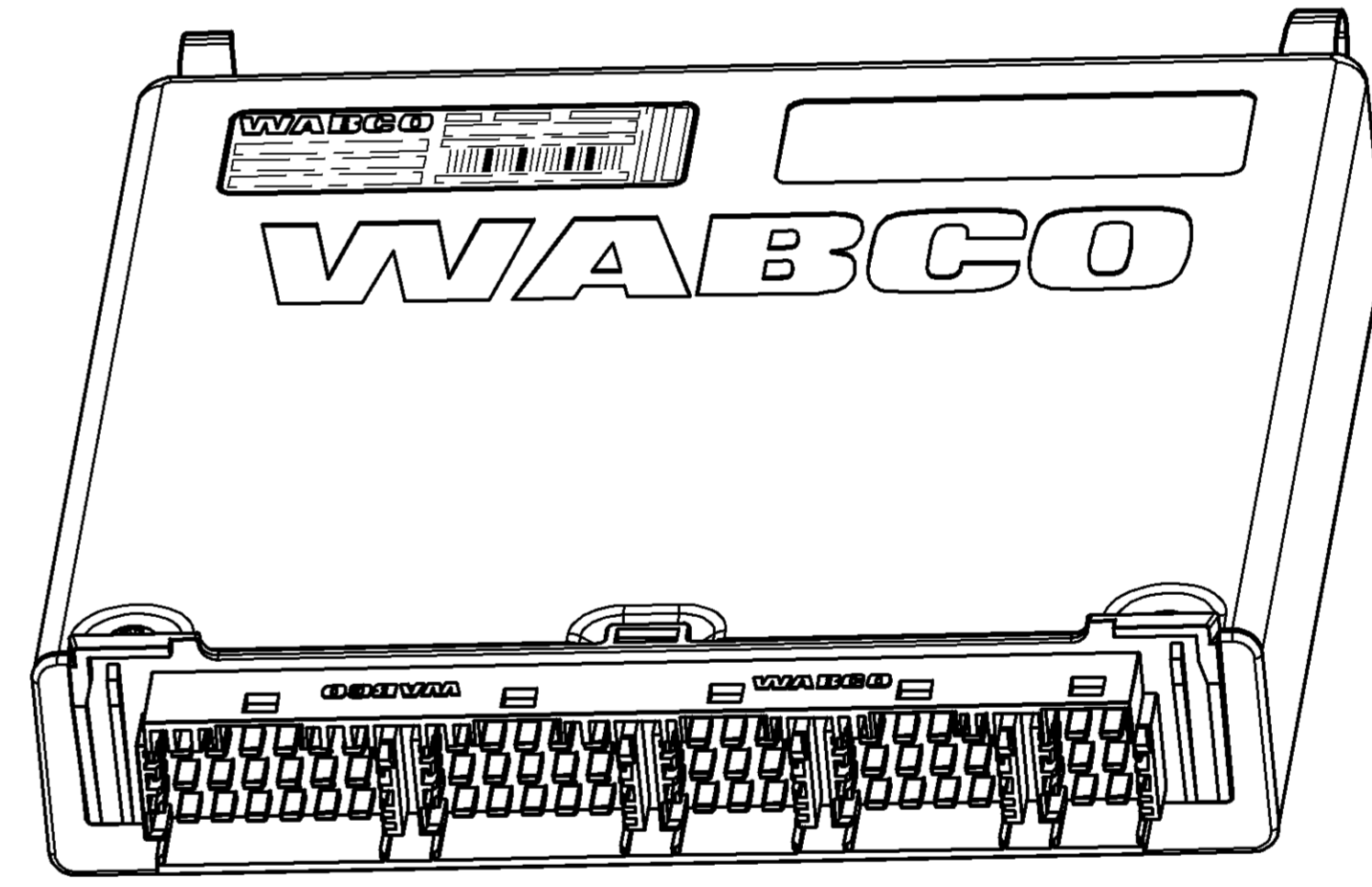
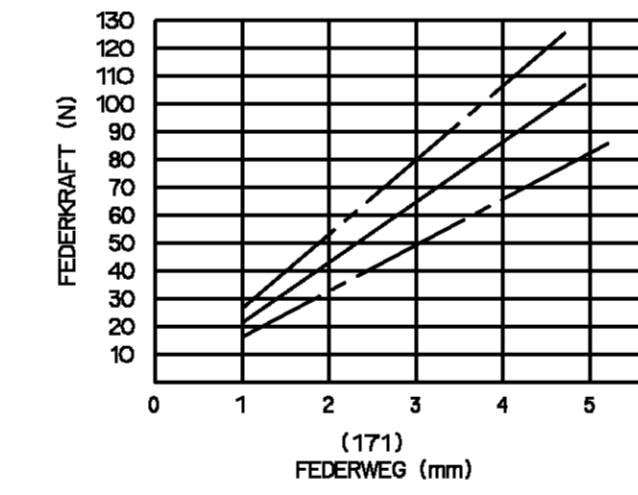
SOFTWARE VERSION: SEE CCT
 SOFTWAREVERSION: SIEHE LEBENSLAUFBLATT
 VERSION DU SOFTWARE:
 VERSIONE DEL SOFTWARE:



SEE DOCUMENT: 858 000 648 4 (DOC. CODE 607)
 SIEHE DOKUMENT:
 VOIR DOCUMENT: 858 000 649 4 (DOC. CODE 607)
 VEDERE DOCUMENTO:



**** SPRING DIAGRAM 2 SPRINGS
 FEDERDIAGRAMM 2 FEDERN
 DIAGRAMME DE RESSORT 2 RESSORTS
 DIAGRAMMA DI MOLLA 2 MOLLE



▲ DIN 72552 BLATT 2

GENERAL SPECIFICATION:		PRO/ENGINEER DRAWING:		COPYRIGHT:	
JED-334-0		DATE:	SIGNATURE:	WABCO	
FURTHER TECHNICAL DATA:		DRAWN: LEHRMANN			
DOC. CODE: SHEET 1 TO		CHECKED: CORNELIUS			
GENERAL TOLERANCES		EXPORT CODE: 752 HEINRICH			
RANGE OF NOMINAL DIMENSIONS (± mm)		PRODUCT IDENTIFICATION NO.:			
CLASS	1) ≤ 50	2) > 50 ≤ 180	3) > 180 ≤ 400	4) > 400	±
FINE	0.5	1.0	1.5	2.0	30 ^a
MEDIUM	X 1.0	2.0	3.0	4.0	
COARSE		2.0	3.5	5.0	6.5
TAPPED HOLES ACC. ISO 4039 / JED-52		DOH-NG.		REV. DATE	
1) TOLERANCE CLASS APPLIED CROSSMARKED		A 1 620			
		SCALE:		FUNCTION CODE: SHVP CODE: PRODUCT TYPE: REPLACEMENT FOR:	
		1:1		446 130 053 0 605 1/1	