

VOLTAGE: 24V +8/-4 DC *
 SPANNUNG: 24V +8/-4 DC *
 VOLTAGE: 24V +8/-4 DC *
 VOLTAGGIO: 24V +8/-4 DC *

STORING TEMPERATURE: -40° ... +90° C *
 LAGERTEMPORATUR: -40° ... +90° C *
 TEMPERATURE D' UTILISATION: -40° ... +90° C *
 TEMPERATURA DI ESERCIZIO: -40° ... +90° C *

THERMAL RANGE OF APPLICATION: -40° ... +75° C
 THERM. ANWENDUNGSBEREICH: -40° ... +75° C
 GAMME D' APPLICATION THERMIQUE: -40° ... +75° C
 CAMPO DI APPLICAZIONE THERMICA: -40° ... +75° C

PROTECT TYPE: IP 30 (IEC 529)
 SCHUTZART: IP 30 (IEC 529)
 MODE DE PROTECTION: IP 30 (IEC 529)
 MODO DI PROTEZIONE: IP 30 (IEC 529)

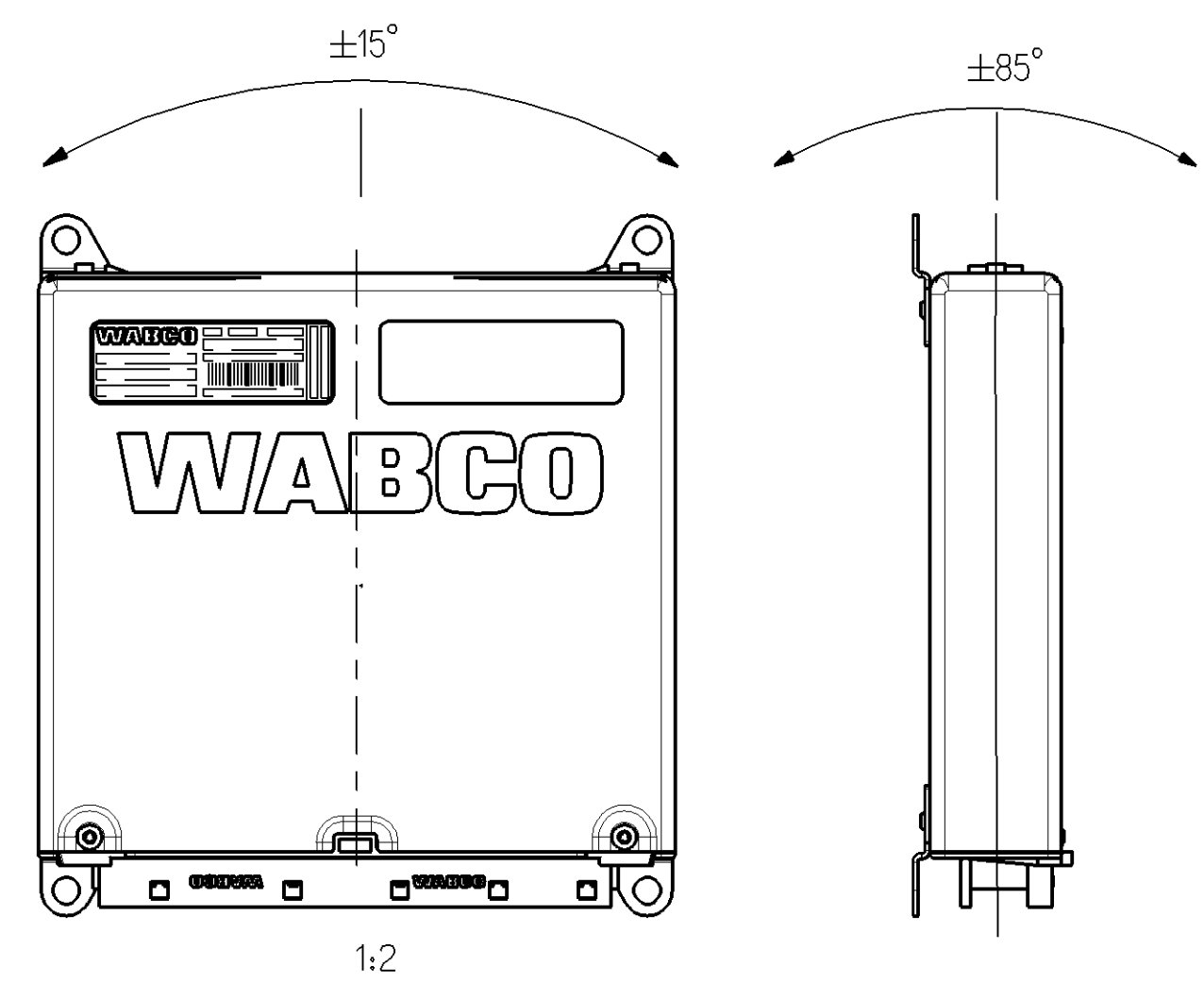
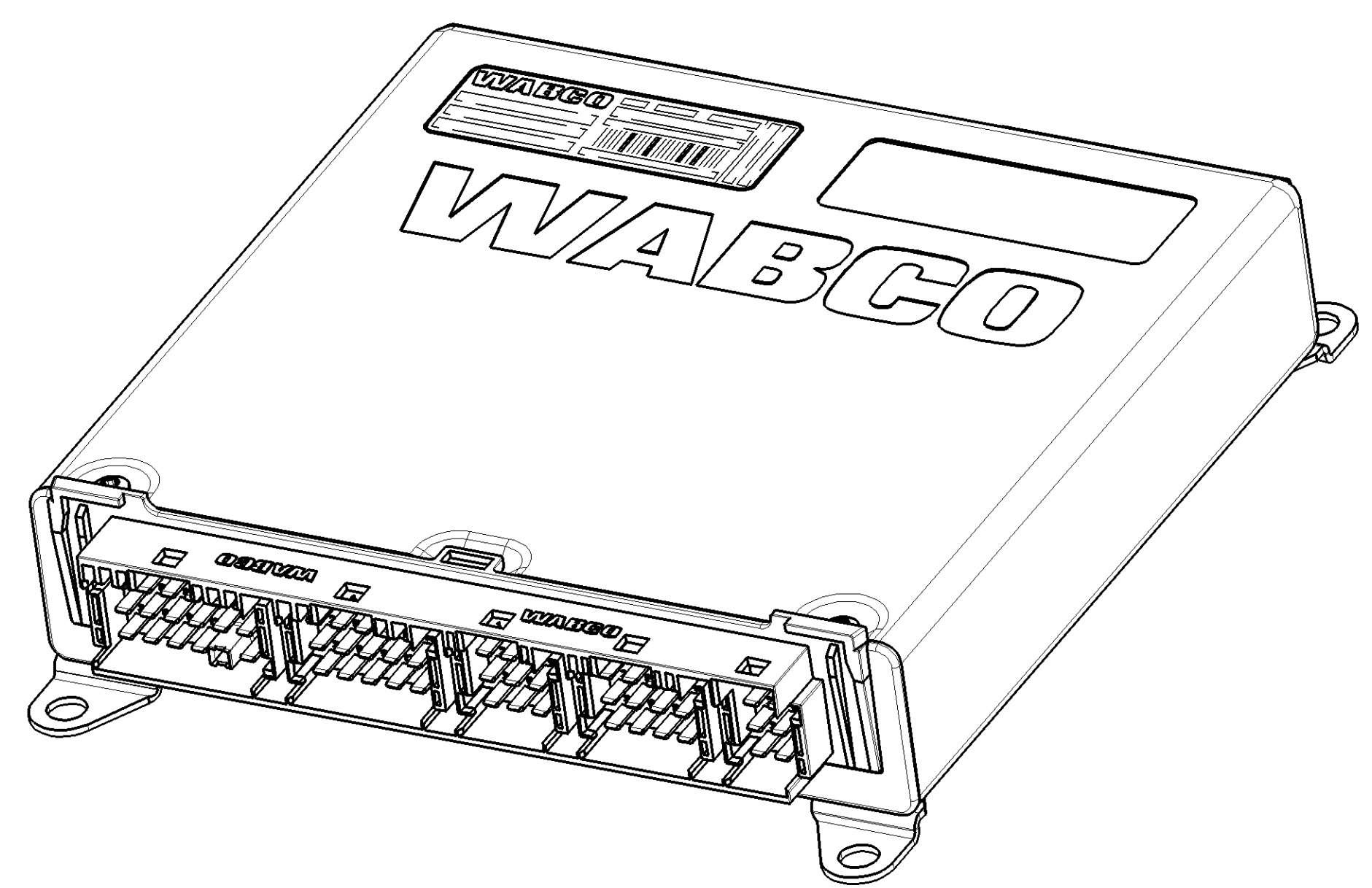
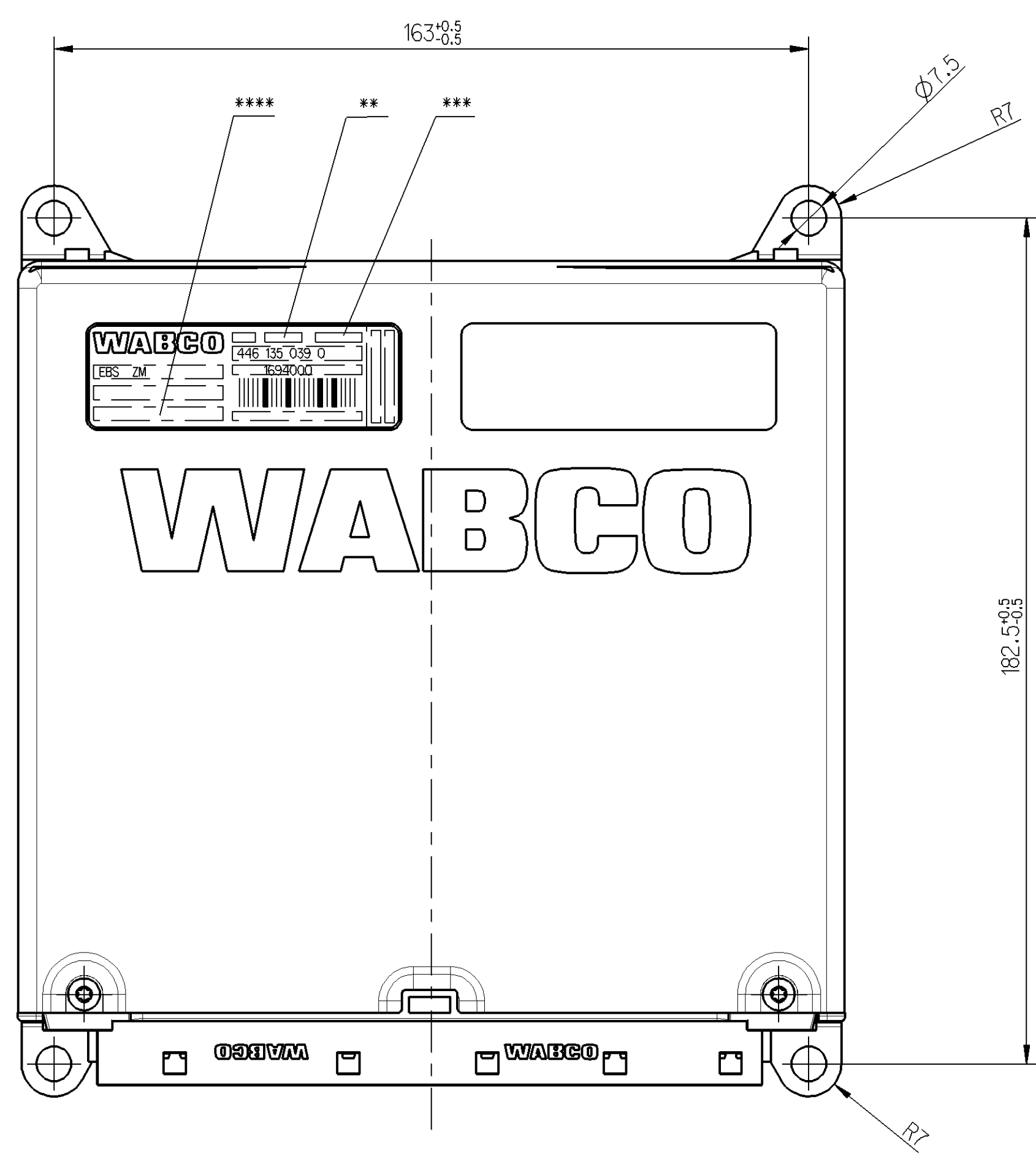
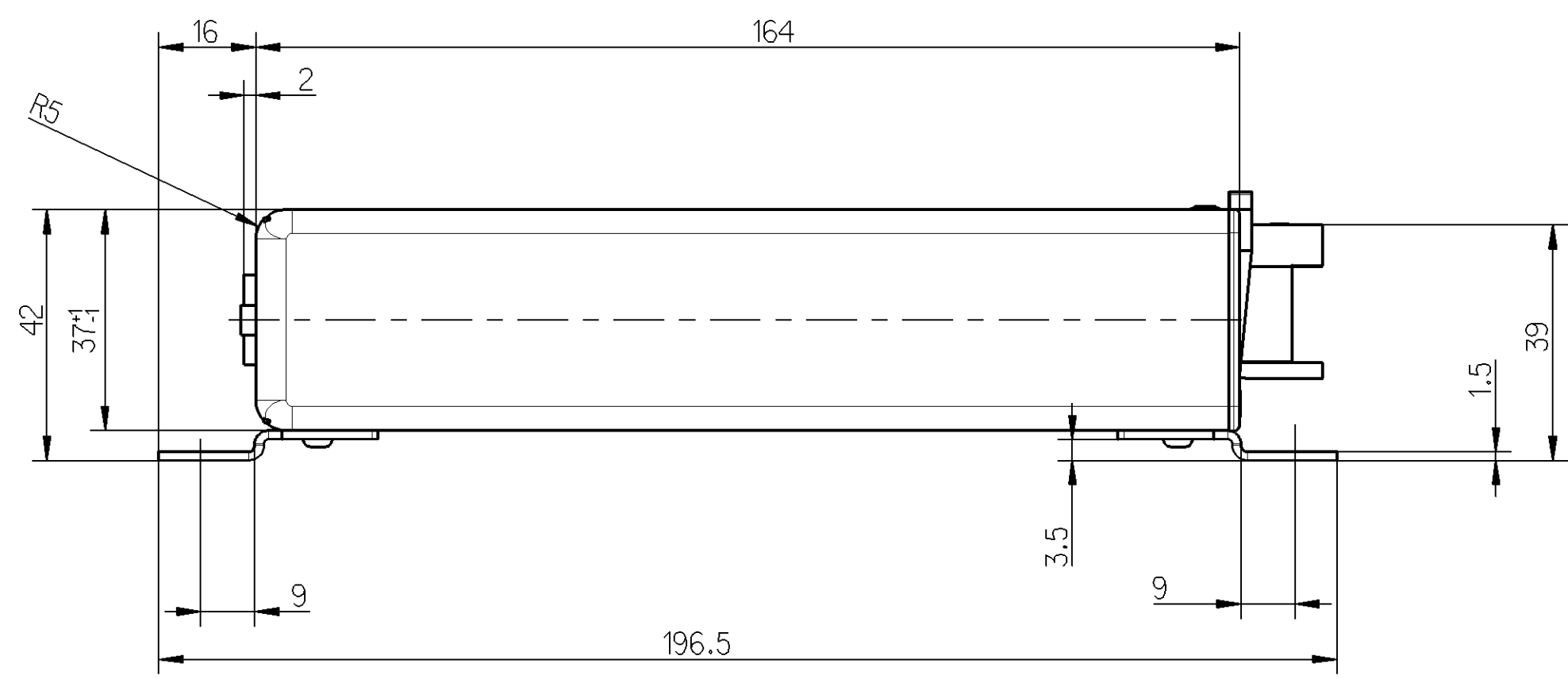
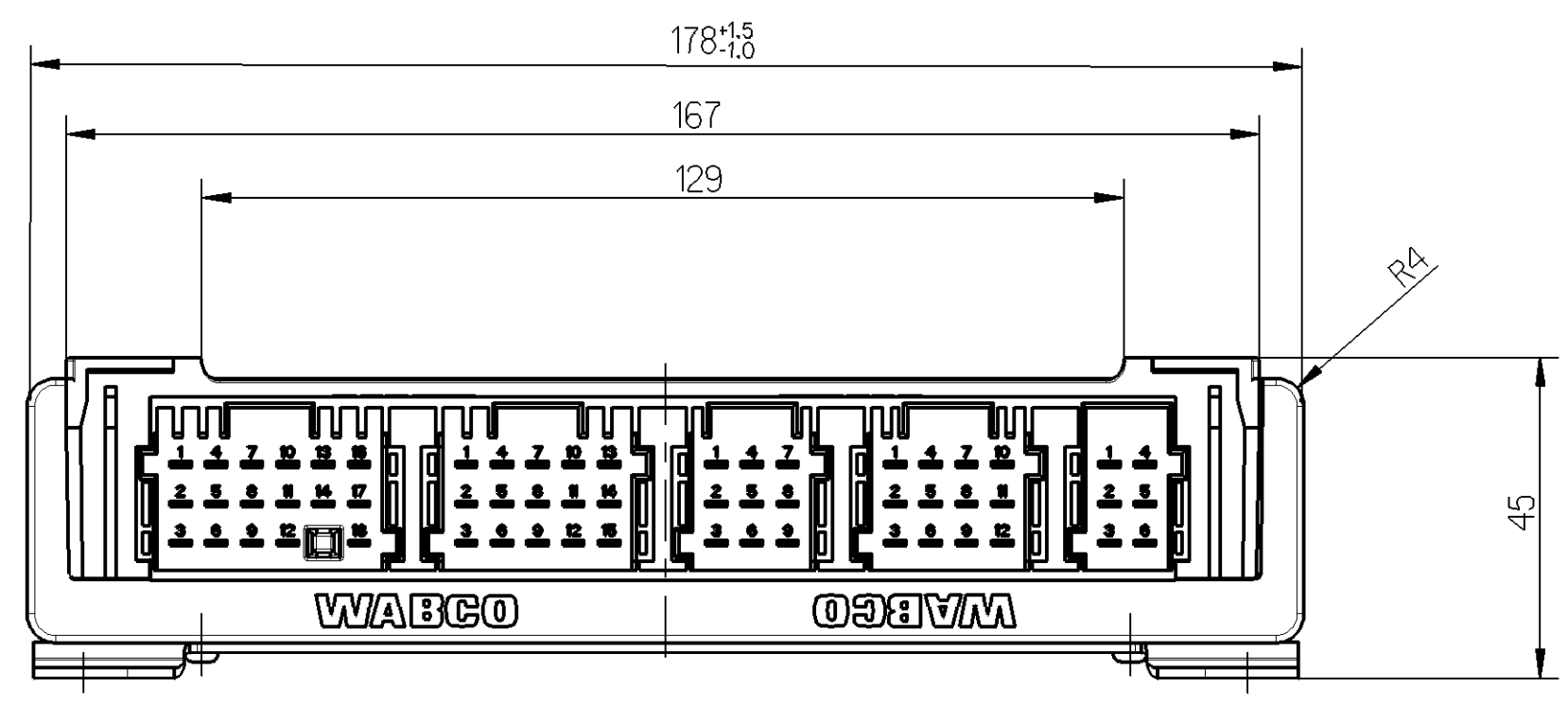
MALE MULTIPOINT CONNECTOR: SURFACE PROTECTION: TINNED
 MESSERLEISTE: OBERFLAECHENSCHUTZ: VERZINNT
 CONNECTEUR MALE MULTIBROCHE: PROTECTION DE SURFACE: ETAME
 SPINE MULTIPA: PROTEZIONE SUPERFICIALE: STAGNATO

FOR FURTHER DETAILS SEE PRODUCT SPECIFICATION
 * FUER WEITERE DETAILS SIEHE PRODUKTSPEZIFIKATION
 POUR AUTRES DONNEES TECHNIQUES VOIR SPECIFICATION DU PRODUIT
 PER ULTERIORI DATI TECNICI VEDERE SPECIFICA DI PRODOTTO

DATE OF MANUFACTURE: JED-226
 ** HERSTELLDATUM: JED-226
 DATE DE FABRICATION: JED-226
 DATA DI FABBRICAZIONE: JED-226

SERIESNUMBER GREATER THAN: see CCT
 *** FORTSCHRITTSZAHL GOESSER ALS: see CCT
 NUMERO DE SERIE PLUS GRAND QUE: see CCT
 NUMERO DI SERIE PIU GRANDE DI: see CCT

INSPECTION MARK: 031376
 **** PRUEFZEICHEN: 031376
 MARQUE DE CONTROLE: 031376
 STAMPA DI COLLAUDO: 031376



INSTALLATION POSITION:
 EINBAULAGE:
 POSITION D' INSTALLATION:
 POSIZIONI DI MONTAGGIO:

General Specification: JED-334-0			Copyright WABCO *		
Further Technical Data:			Date: _____		
Doc. Code: _____			Sheet: _____ To: _____		
General Tolerances: JED-261			Date: 2005-07-12		
Range of Nominal Dimensions (± mm)			Checked: LEHRMANN		
Class 1) ± 50 > 50 > 180 > 180 > 400 > 400			2005-08-04		
Medium X 1.0 2.0 3.0 4.0			Expert: Stefr		
Coarse 2.0 3.5 5.0 6.5			HEINRICH		
Tapped Holes acc.:			Material No.:		
State of Revision:			WABCO Id. No.: 446190390		
1) Tolerance Class Applied Crossmarked			ELECTRONIC EBS-ZENTRALMODUL		
15049 1c 2008-02-13 Fine 0.5 1.0 1.5 2.0 ±3°			ELECTRONIK EBS-005		
12850 1d 2007-03-22 Medium X 1.0 2.0 3.0 4.0			ELECTRONIQUE ELETTRONICA		
100532 1a 2006-01-25 Coarse 2.0 3.5 5.0 6.5			446 135 039 0		
005			005		
1/1			1/1		
A 1			620		
Function Code: _____			CAD System: _____		
Prod. Type: _____			0 2 X		
Replacement for: _____			100mm		

This document is the property of WABCO. It is not to be reproduced, stored in a retrieval system, or transmitted in any form or by any means, electronic, mechanical, photocopying, recording, or by any information storage and retrieval system, without the prior written permission of WABCO.