

VOLTAGE:  
SPANNUNG: 24V +8/-4 DC \*

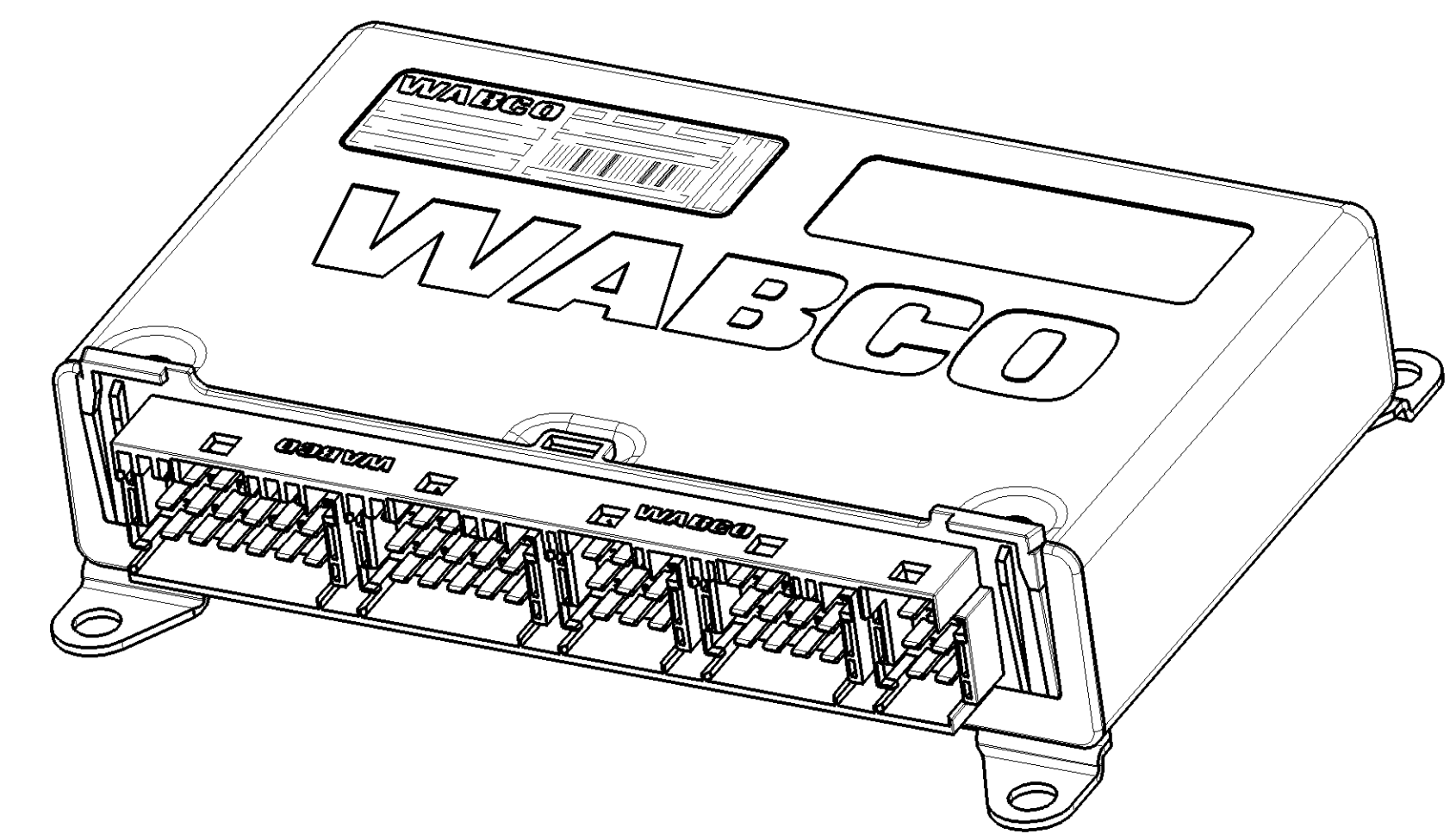
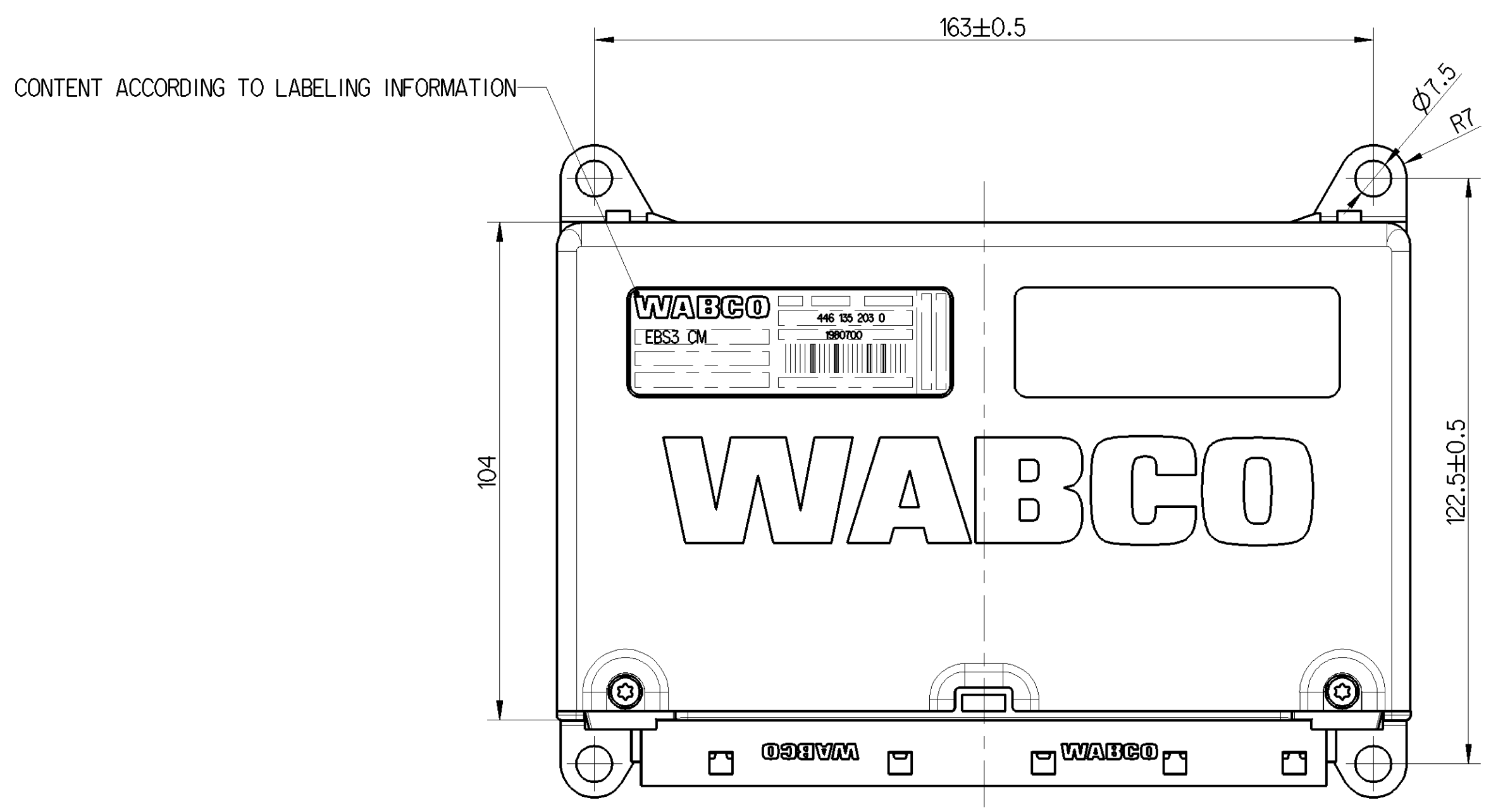
THERMAL RANGE OF APPLICATION:  
THERM. ANWENDUNGSBEREICH: -40° ... +80° C

NON-OPERATING TEMPERATURE:  
TEMPERATUR AUSSER BETRIEB: -40° ... +90° C \*

PROTECT TYPE:  
SCHUTZART: IP 30 (IEC 529)

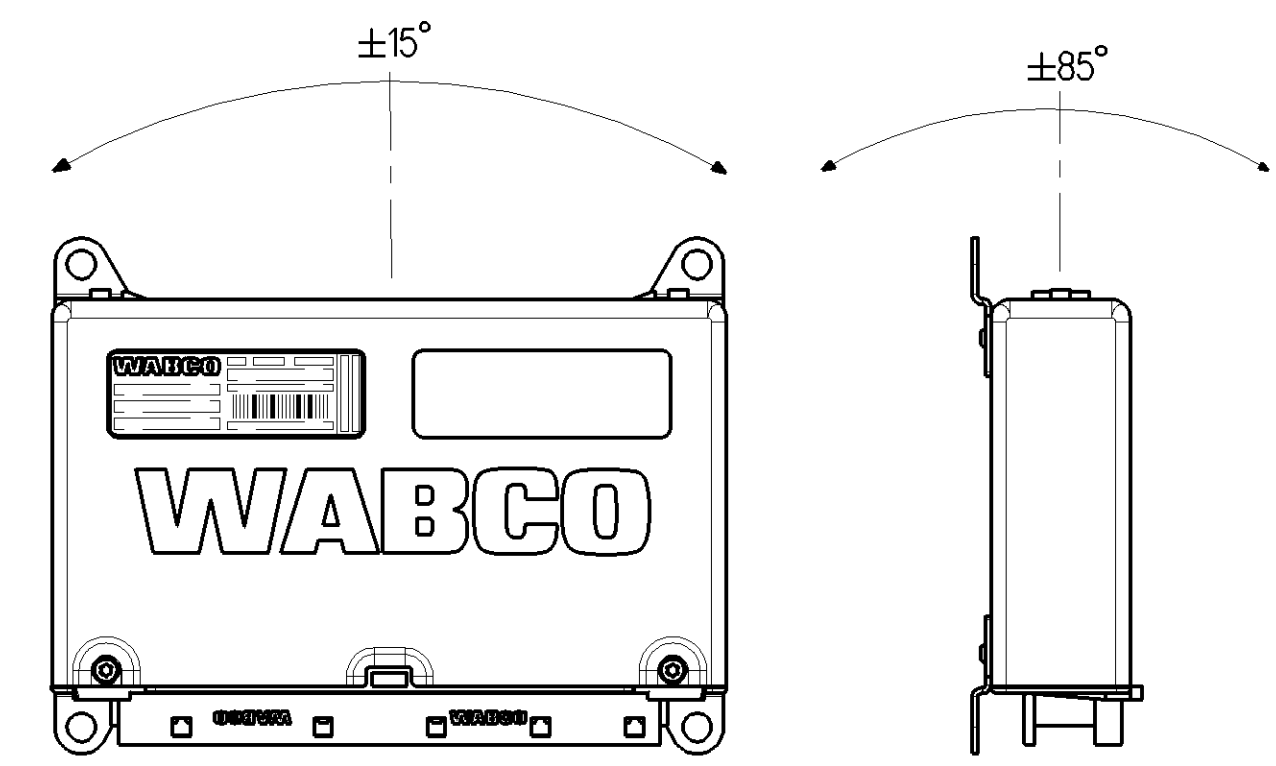
MALE MULTIPOINT CONNECTOR: SURFACE PROTECTION: TINNED  
MESSERLEISTE: OBERFLAECHENSCHUTZ: VERZINNT

FOR FURTHER DETAILS SEE PRODUCT SPECIFICATION  
FUER WEITERE DETAILS SIEHE PRODUKTSPEZIFIKATION



INSTALLATION POSITION:  
EINBAULAGE:

DEVIATING MOUNTING POSITIONS TO BE APPROVED BY WABCO  
ABWEICHENDE EINBAULAGEN SIND MIT WABCO ABZUSTIMMEN



General Specifications: JED-334-1, Size ISO 14405 LP		Copyright WABCO®		<b>WABCO</b>	
Further Technical Data:		Date	Signature	ECU	
Doc. Code:	Sheet: To	2014-07-29	Pfennig	ECU --EBS3 CM DAF	
General Tolerances JED-261		Checked	Hueffermann	Material No. 446 135 203 0	
Range of Nominal Dimensions ( ± mm)		Expert		Date of first issues	2014-11-04
Class 1)	≤ 50 > 50 > 180 > 400	HECHT		Doc.Code	005
Fine	0.5 1.0 1.5 2.0	Misc	Scale	Language	DE
Medium	1.0 2.0 3.0 4.0	0.5	1:1	Sheet	1/1
Coarse	2.0 3.5 5.0 6.5	1:2	2	Replacement for	
Tapped Holes acc.		Size	CAD System	ECN-No.	6830
1) Tolerance Class Applied Crossmarked		A 1	CREO	Revision	-
		Tech. Resp.		6830	

Toute communication ou reproduction de ce document, toute exploitation ou communication de son contenu sont interdites, sauf autorisation écrite de WABCO. Toute utilisation non autorisée sera considérée comme une violation de la propriété intellectuelle de WABCO. WABCO and its subsidiaries are not responsible for any damage or loss of data resulting from the use of this document. WABCO and its subsidiaries are not responsible for any damage or loss of data resulting from the use of this document. WABCO and its subsidiaries are not responsible for any damage or loss of data resulting from the use of this document. WABCO and its subsidiaries are not responsible for any damage or loss of data resulting from the use of this document.