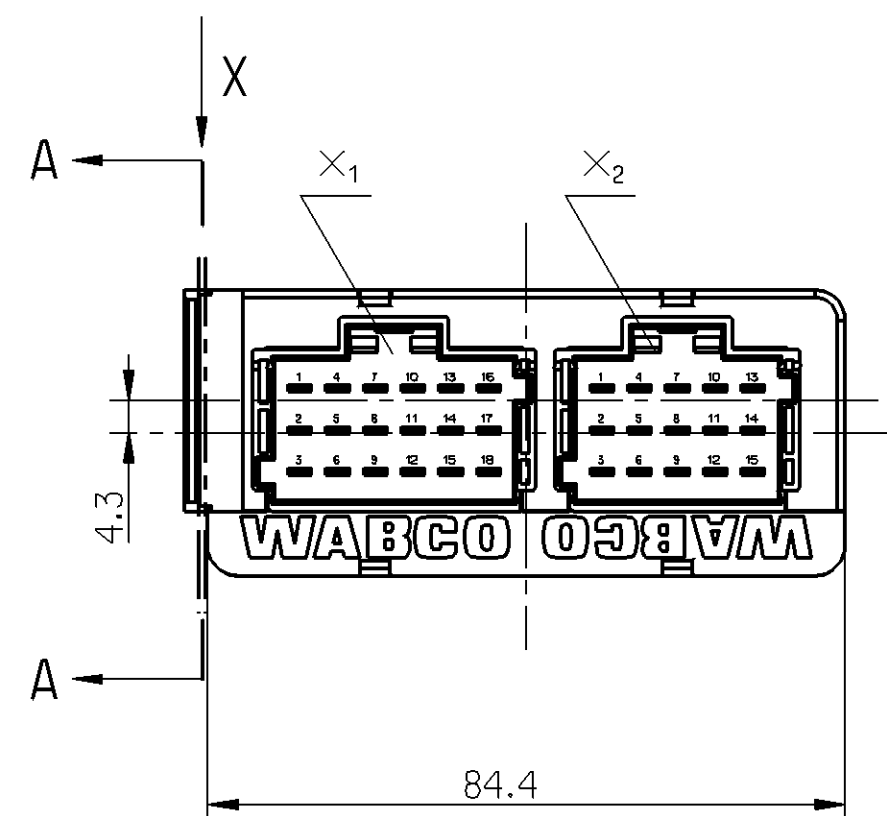


1:1



(...) AUXILIARY DIMENSION
HILFSSMASS
DIMENSION AUXILIAIRE
DIMENSIONE AUSILIARIA

VOLTAGE:
SPANNUNG: 22 V ... 30 V DC
TENSION:
TENSIONE:

THERMAL RANGE OF APPLICATION:
THERMISCHER ANWENDUNGSBEREICH: -40°C ... +75°C
GAMME D'APPLICATION THERMIQUE:
CAMPO TERMICO D'APPLICAZIONE:

STORAGE TEMPERATURE:
LAGERTEMPORATUR: -40°C ... +90°C
TEMPERATURE DE STOCKAGE:
TEMPERATURA DI IMMAGAZZINAMENTO:

DEGREE OF PROTECTION:
SCHUTZART: IP 30 (IEC 529)
DEGRE DE PROTECTION:
GRADO DI PROTEZIONE:

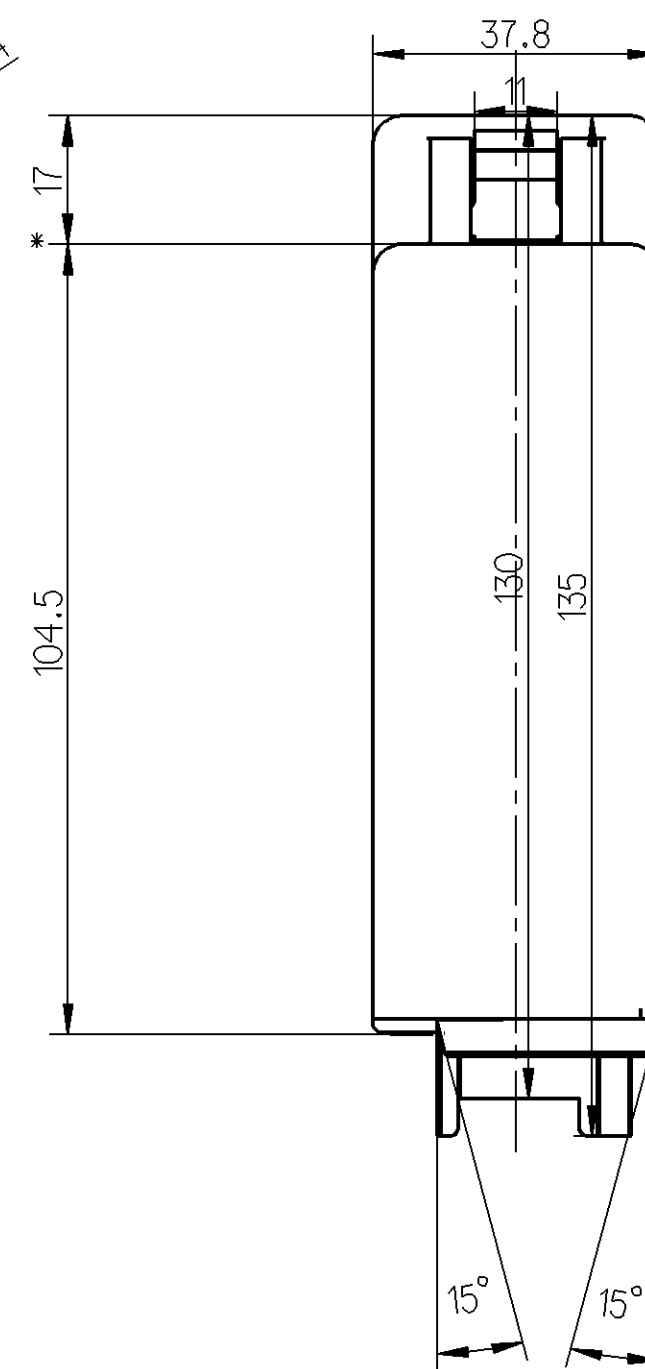
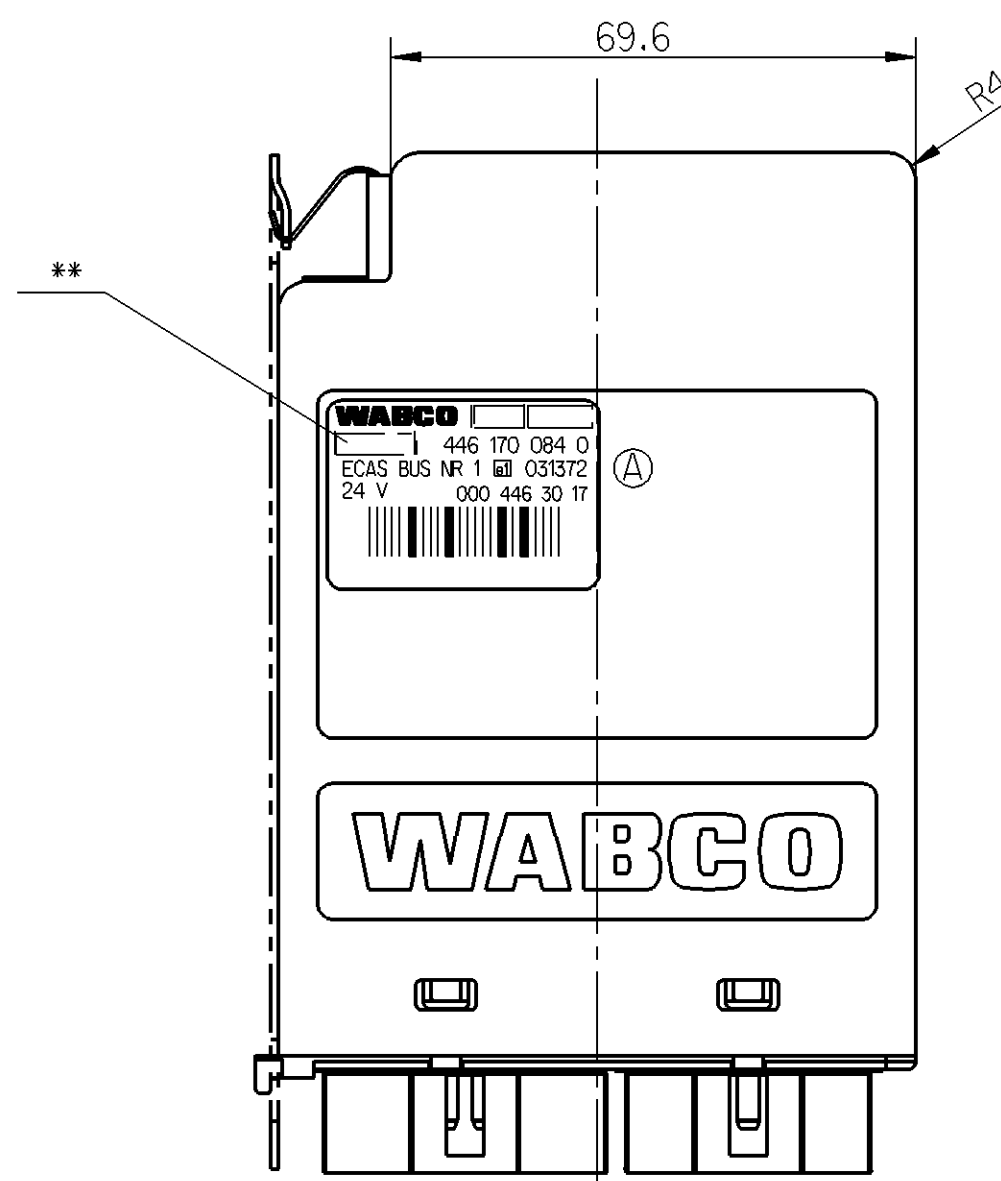
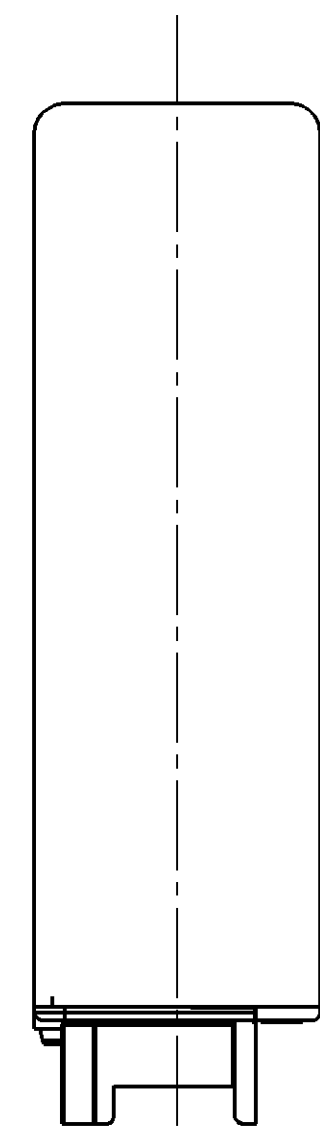
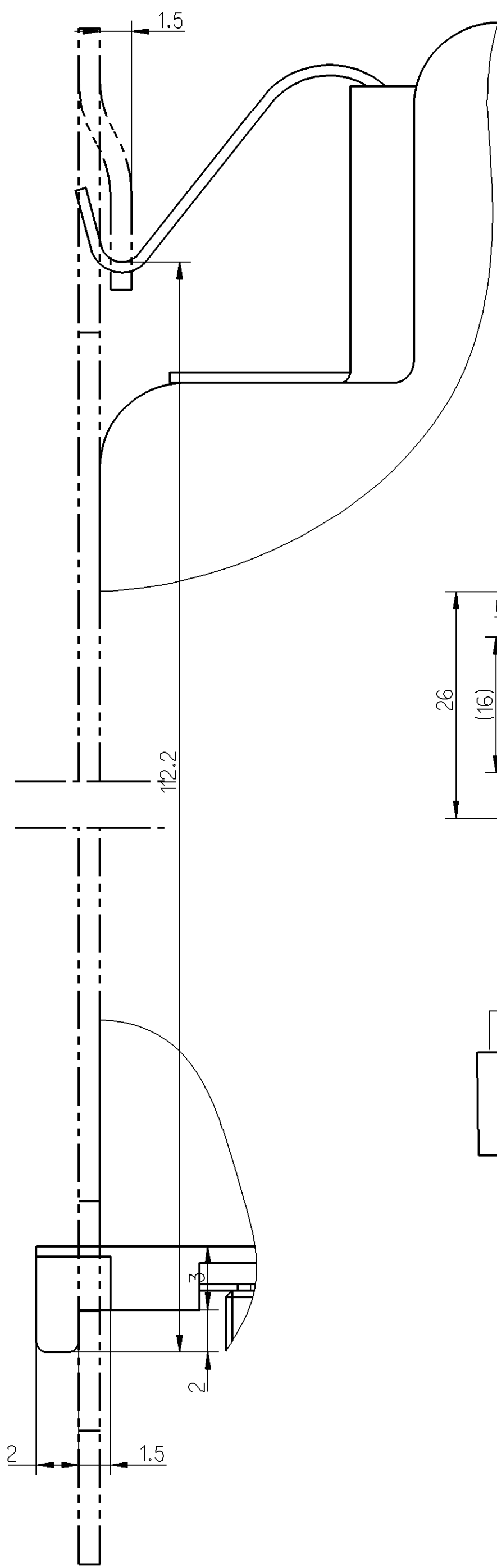
MALE CONNECTOR: SURFACE PROTECTION:
MESSERLEISTE: OBERFLAECHENSCHUTZ: GAL. AG 3
CONNECTEUR MALE: PROTECTION DE SURFACE:
CONNETTORE MASCHIO: PROTEZIONE SUPERFICIA:

DATE OF MANUFACTURE:
* HERSTELLDATUM: JED-226
DATE DE FABRICATION:
* DATA DI FABBRICAZIONE:

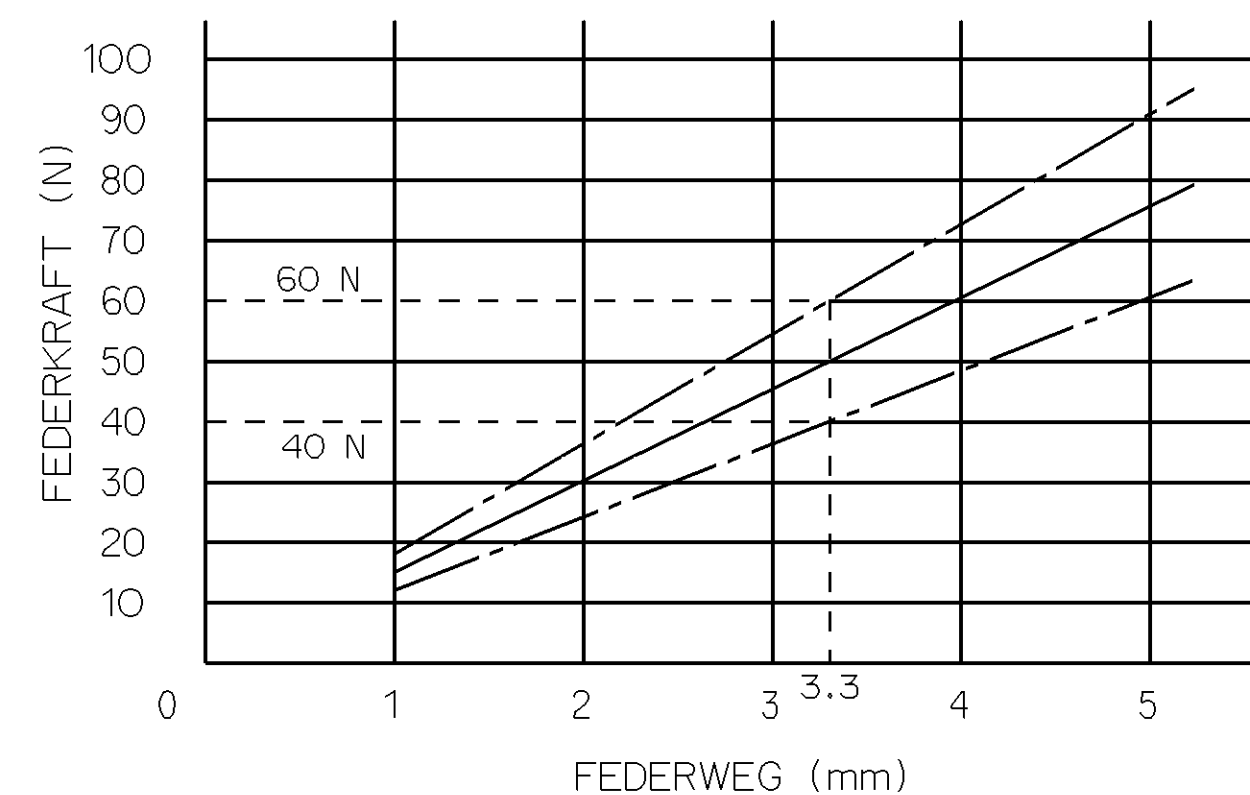
SERIAL NUMBER GREATER THAN:
** FORTSCHRITZAHN GROESSER ALS: 0
NUMERO DE SERIE PLUS GRAND QUE:
NUMERO DI SERIE PIU GRANDE DI:

FURTHER TECHNICAL DATA SEE PRODUCTSPECIFICATION:
WEITERE TECHNISCHE DATEN SIEHE PRODUKT-SPEZIFIKATION: 446 170 084 0 (DOC.-CODE 535)
POUR INFORMATION COMPLEMENTAIRES VOIR LES SPECIFICATIONS DU PRODUIT:
PER INFORMAZIONI VEDI LA SPECIFICAZIONE DEL PRODOTTO:

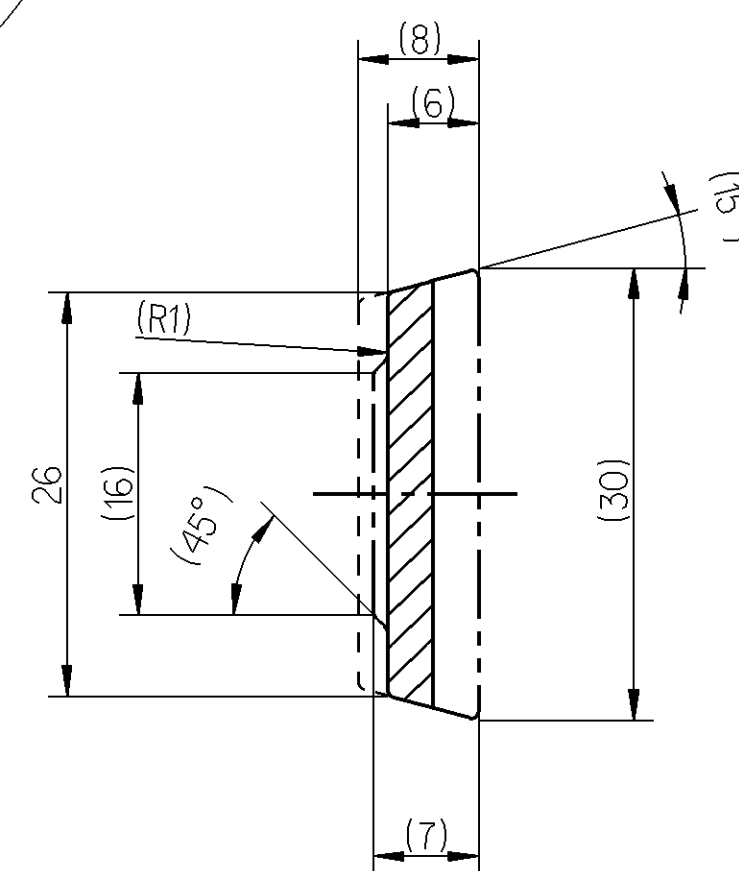
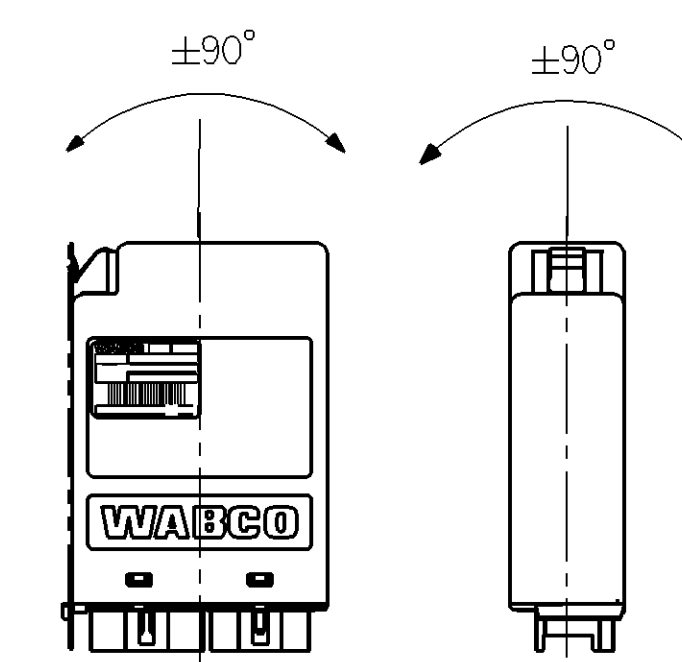
X
5:1



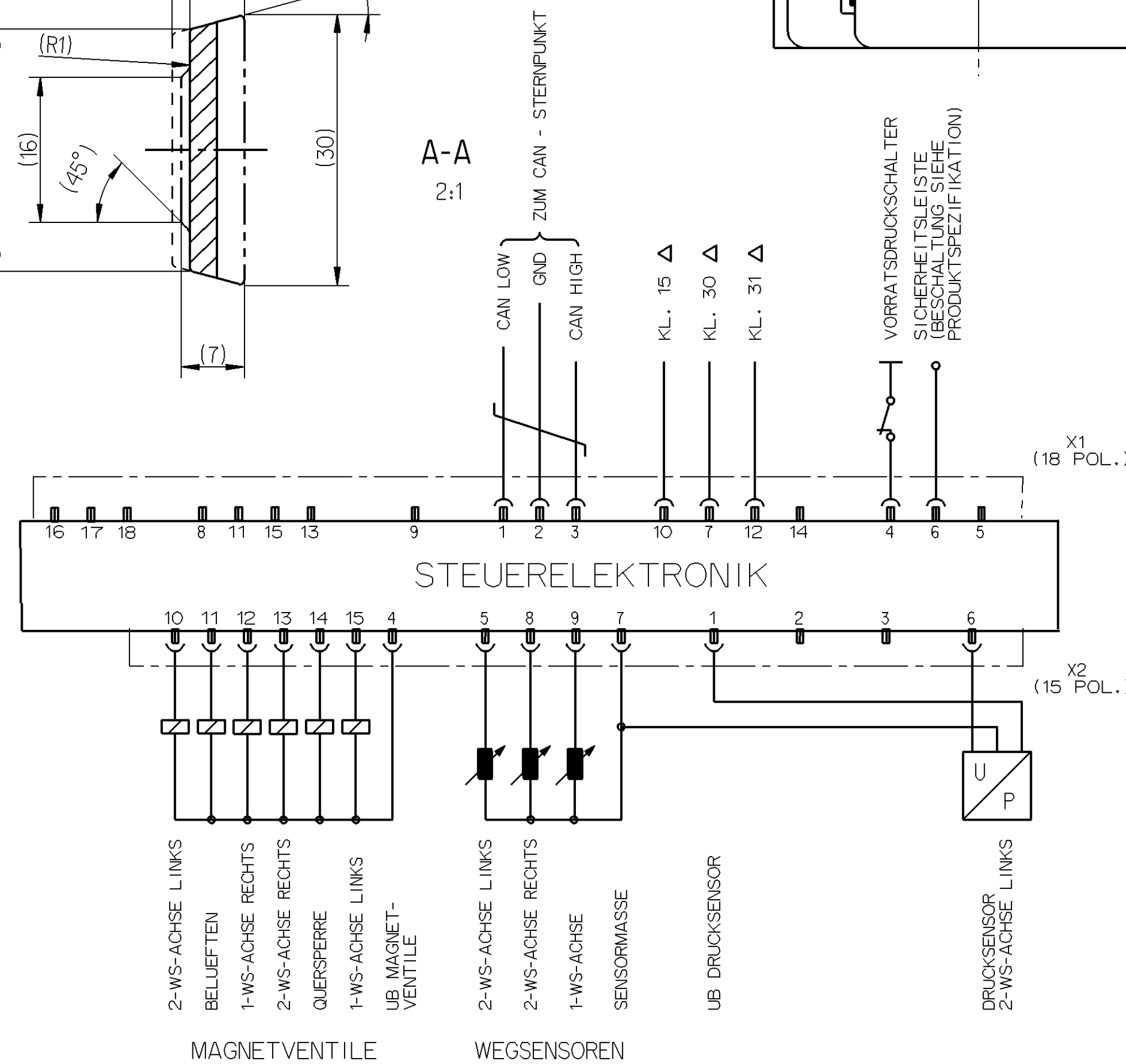
SPRING DIAGRAM
FEDERDIAGRAMM
DIAGRAMME DE RESSORT
DIAGRAMMA DI MOLLA



INSTALLATION POSITION:
EINBAULAGE:
POSITION D'INSTALLATION:
POSIZIONE DI MONTAGGIO:



A-A
2:1



Δ DIN 72552 BLATT 2

General Specification: JED-334-0		Copyright WABCO®		WABCO	
Further Technical Data:		Date: 2001-02-19		ELECTRONIC ELEKTRONIK ECAS BUS CAN	
Doc. Code:	Sheet: 1 To: 1	2001-02-19 LEHRMANN		ELECTRONIK ELEKTRONIK	
General Tolerances: JED-261		2001-02-19 SCHWARZER		ELEKTRONIK ELETRONICA	
Range of Nominal Dimensions (± mm)		Expert		Material No.:	
Class 1)	≤ 50 > 50 > 180 > 400 > 400	SCHWARZER		446 170 084 0	
Fine	0.5 1.0 1.5 2.0	Scale:		WABCO Id. No.: 4461700840	
Medium	1.0 2.0 3.0 4.0	0.15 1:1		Doc. Code Language Sheet	
Coarse	2.0 3.5 5.0 6.5	Size TR1		005 ML 1/1	
Tapped Holes acc. JED-152		A 1 620		Function Code CAD System Prod. Type Replacement for	
State of Revision		1) Tolerance Class Applied Crossmarked		Pro/E 0 1 X	

Doc. Code Language Sheet