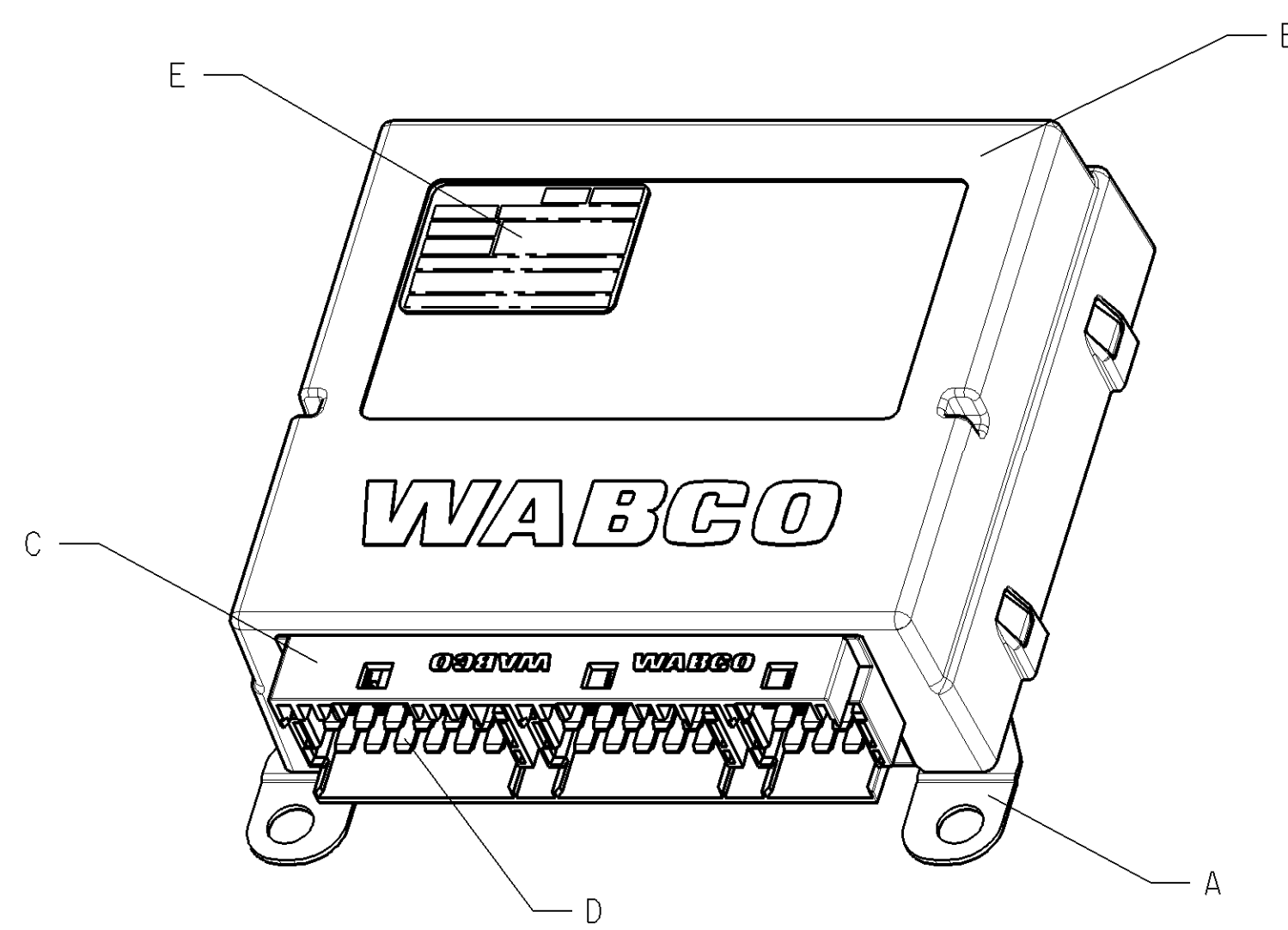
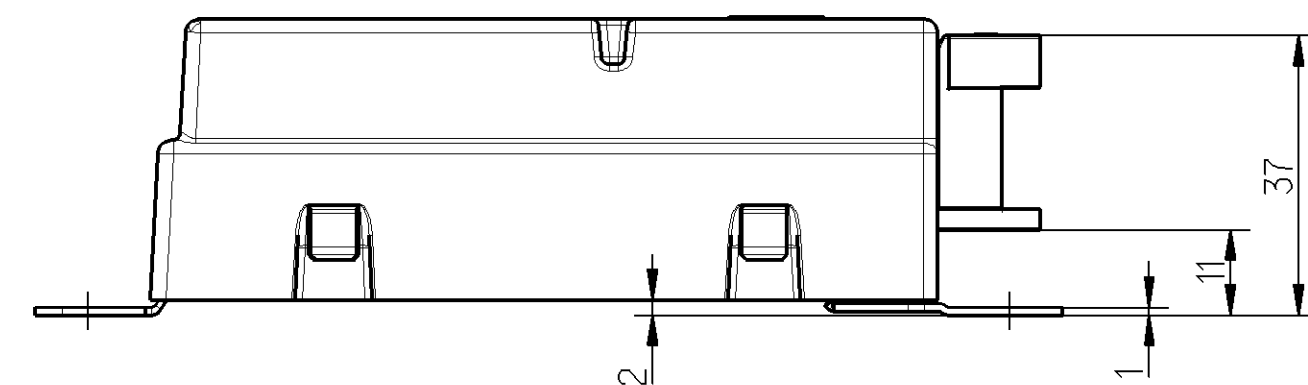
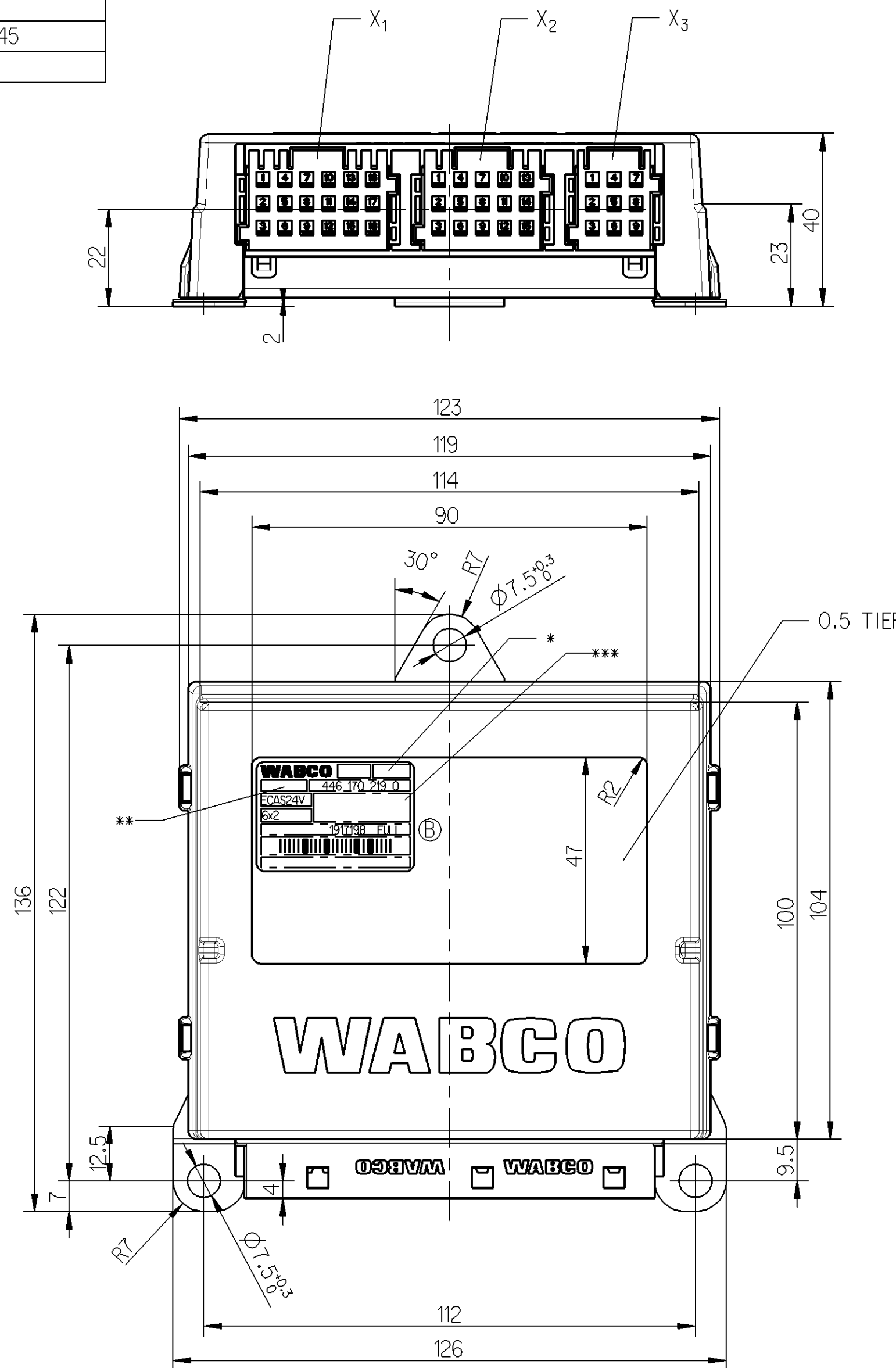


A	ZINC COATED STEEL	JED-585-2
B	ABS	JED-465-5
C	PBT GF20	JED-375-1
D	TIN-PLATED COPPER	JED-570-545
E	POLYESTER	



DATE OF MANUFACTURE:  
 \* HERSTELLDATUM: JED-226  
 DATE DE FABRICATION:  
 DATA DI FABBRICAZIONE:

SERIAL NUMBER GREATER THAN:  
 \*\* FORTSCHRITZAHL. GRÖßER ALS: 300000 Ⓟ  
 NUMERO DE SERIE PLUS GRAND QUE:  
 NUMERO DI SERIE PIU GRANDE DI:

INSPECTION MARK:  
 \*\*\* PRUEFZEICHEN: Ⓛ1 10R-032063 Ⓛ2  
 MARQUE DE CONTROLE:  
 STAMPA DI COLLAUDO:

VOLTAGE:  
 SPANNUNG: 22 V ... 32 V DC  
 TENSION:  
 TENSIONE:

THERMAL RANGE OF APPLICATION:  
 THERMISCHER ANWENDUNGSBEREICH: -40 °C ... +75 °C  
 GAMME D'APPLICATION THERMIQUE:  
 CAMPO TERMICO D'APPLICAZIONE:

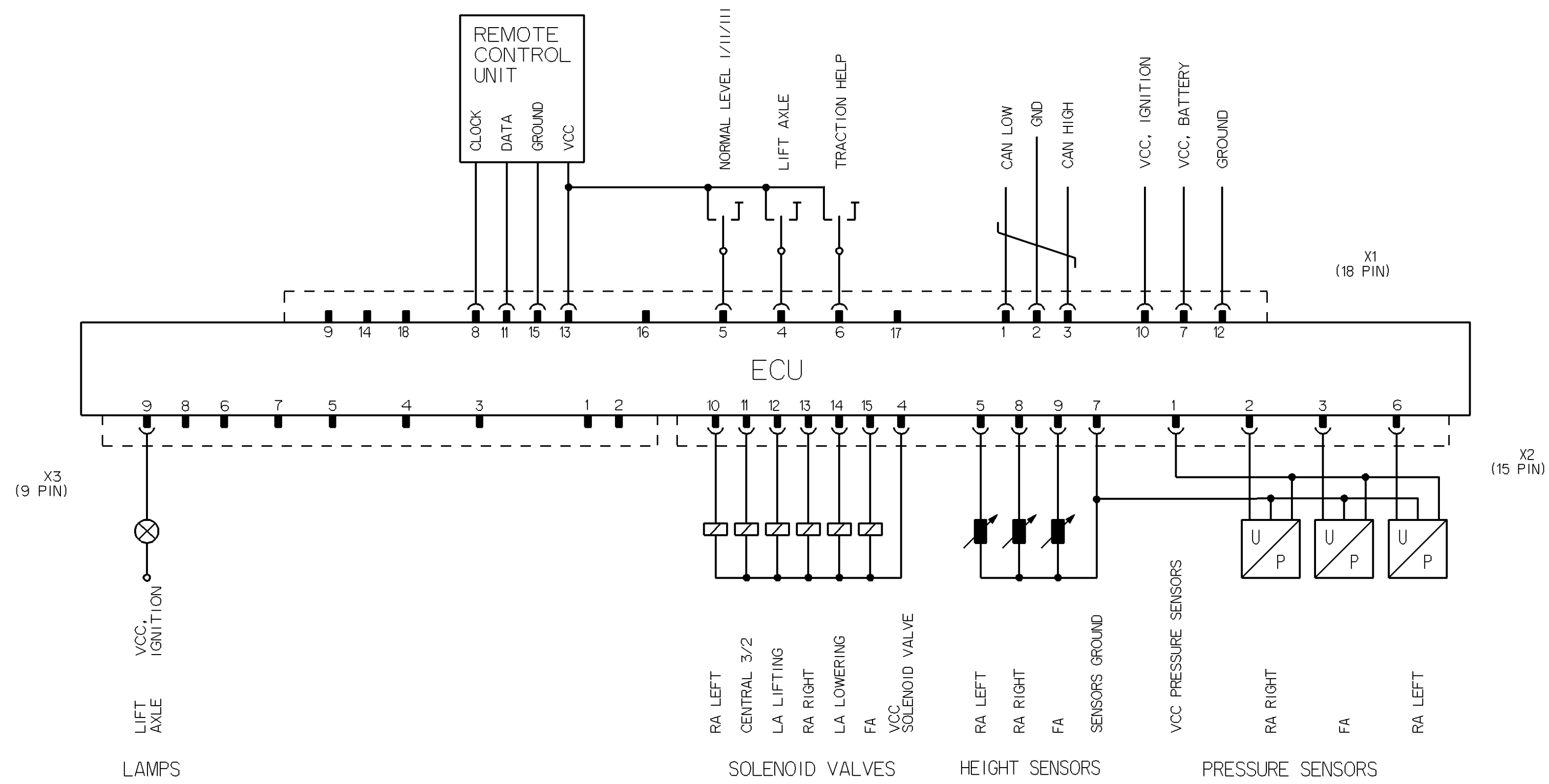
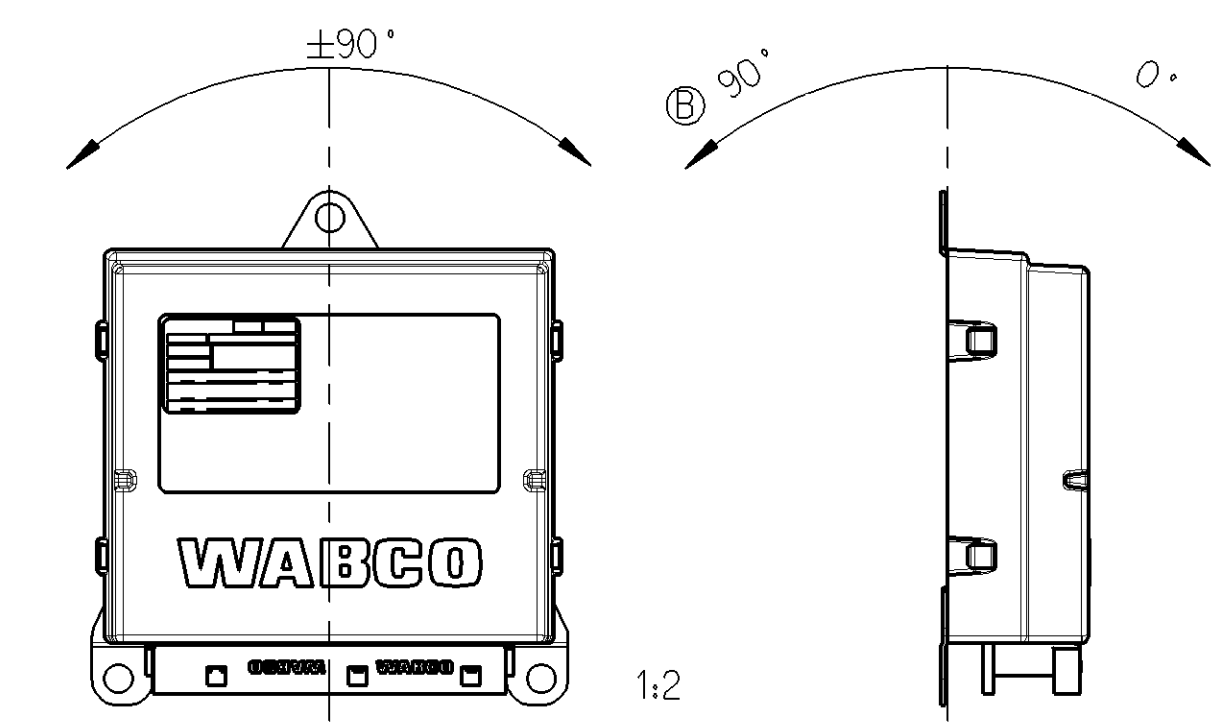
STORAGE TEMPERATURE:  
 LAGERTEMPORATUR: -40 °C ... +90 °C  
 TEMPERATURE DE STOCKAGE:  
 TEMPERATURA DI IMMAGAZZINAMENTO:

DEGREE OF PROTECTION:  
 SCHUTZART: IP 30 (IEC 529)  
 DEGRE DE PROTECTION:  
 GRADO DI PROTEZIONE:

FURTHER TECHNICAL DATA SEE PRODUCT SPECIFICATION:  
 WEITERE TECHNISCHE DATEN SIEHE PRODUKTSPEZIFIKATION 446 170 219 0 (DOC. CODE 035)  
 (INDEX BEACHTEN):  
 POUR AUTRES DONNEES TECHNIQUES VOIR SPECIFICATION DU PRODUIT:  
 PER ULTERIORI DATI TECNICI VEDERE SPECIFICA DI PRODOTTO:

FINISHING VARNISH ON THE PRINTED BOARD:  
 UEBERZUGSLACK AUF DER LEITERPLATTE: JED-543  
 VERNIS ENDUIT SUR CARTE IMPRIMEE:  
 VERNICE DI RIVESTIMENTO SULLA PIASTRA STAMPTA:

INSTALLATION POSITION:  
 EINBAULAGE:  
 POSITION D'INSTALLATION:  
 POSIZIONE DI MONTAGGIO:



General Specifications: JED-334-0		Copyright WABCO®		<b>WABCO</b>	
Further Technical Data:		Date	Drawn	Signature	
Doc. Code:	Sheet:	2012-07-23	2012-07-23	Słowinski	
General Tolerances JED-261		Checked	Lentz		
Range of Nominal Dimensions ( ± mm)		Expert JOVERS			
Class	1)	≤ 50	> 50 ≤ 180	> 180 ≤ 400	> 400
Fine		0.5	1.0	1.5	2.0
Medium	X	1.0	2.0	3.0	4.0
Coarse		2.0	3.5	5.0	6.5
Tapped Holes acc.:		1:1 (1:2)			
1) Tolerance Class Applied Crossmarked		Material No.:		Date of first issue: 2007-02-23	
A 1		446 170 219 0		005 ML 1/1	
Pro/E		ECh.No.:		Tech. Resp.:	
		158085		4 B 6650	
		Replacement for:		894 908 615 0	

Toute communication de reproduction de ce document, toute exploitation ou communication de son contenu sont interdites, sauf autorisation écrite de WABCO. Toute réimpression, traduction, copie, reproduction, diffusion, utilisation ou communication de ce document sans autorisation écrite de WABCO est formellement interdite. Any further use or reproduction of this document without the written permission of WABCO is strictly prohibited.