

←1→ SAFETY CHARACTERISTICS 0
←2→ SIGNIFICANT CHARACTERISTICS 0

WORKING TEMPERATURE
BETRIEBSTEMPERATUR -40° ... +80°C
TEMPERATURE D'UTILISATION
TEMPERATURA DI ESERCIZIO

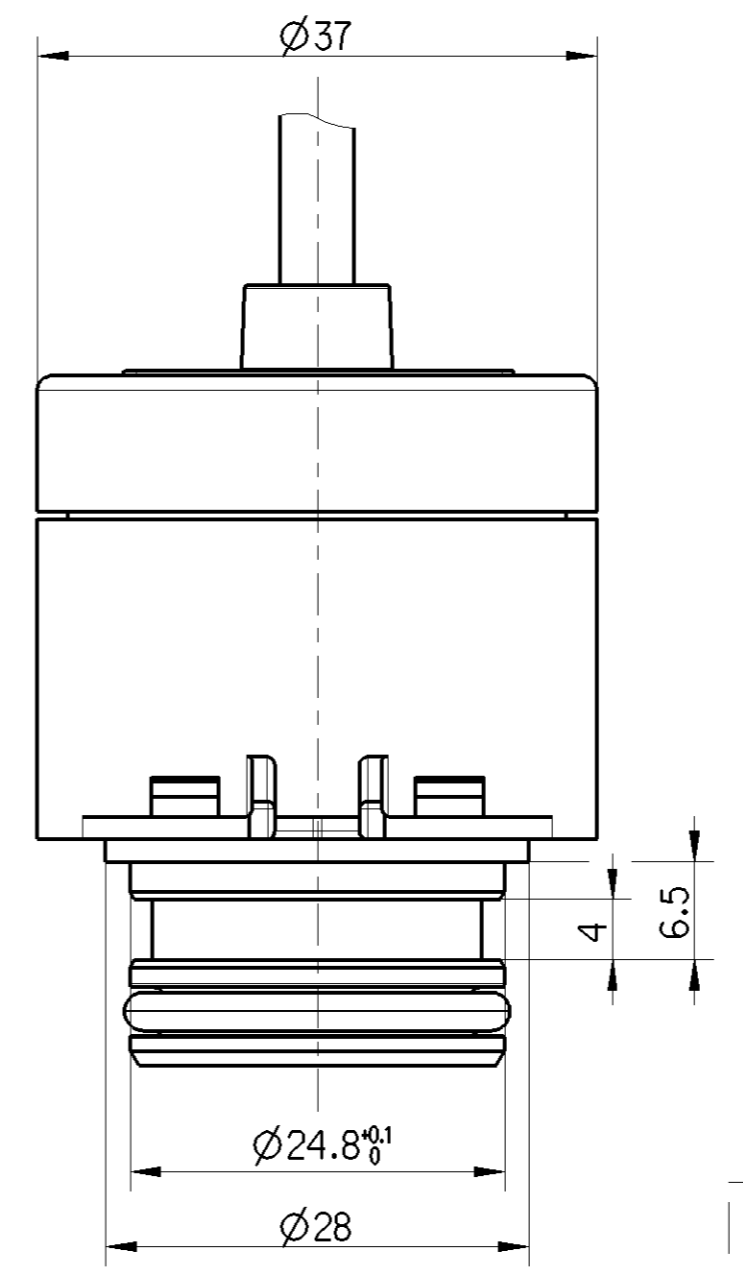
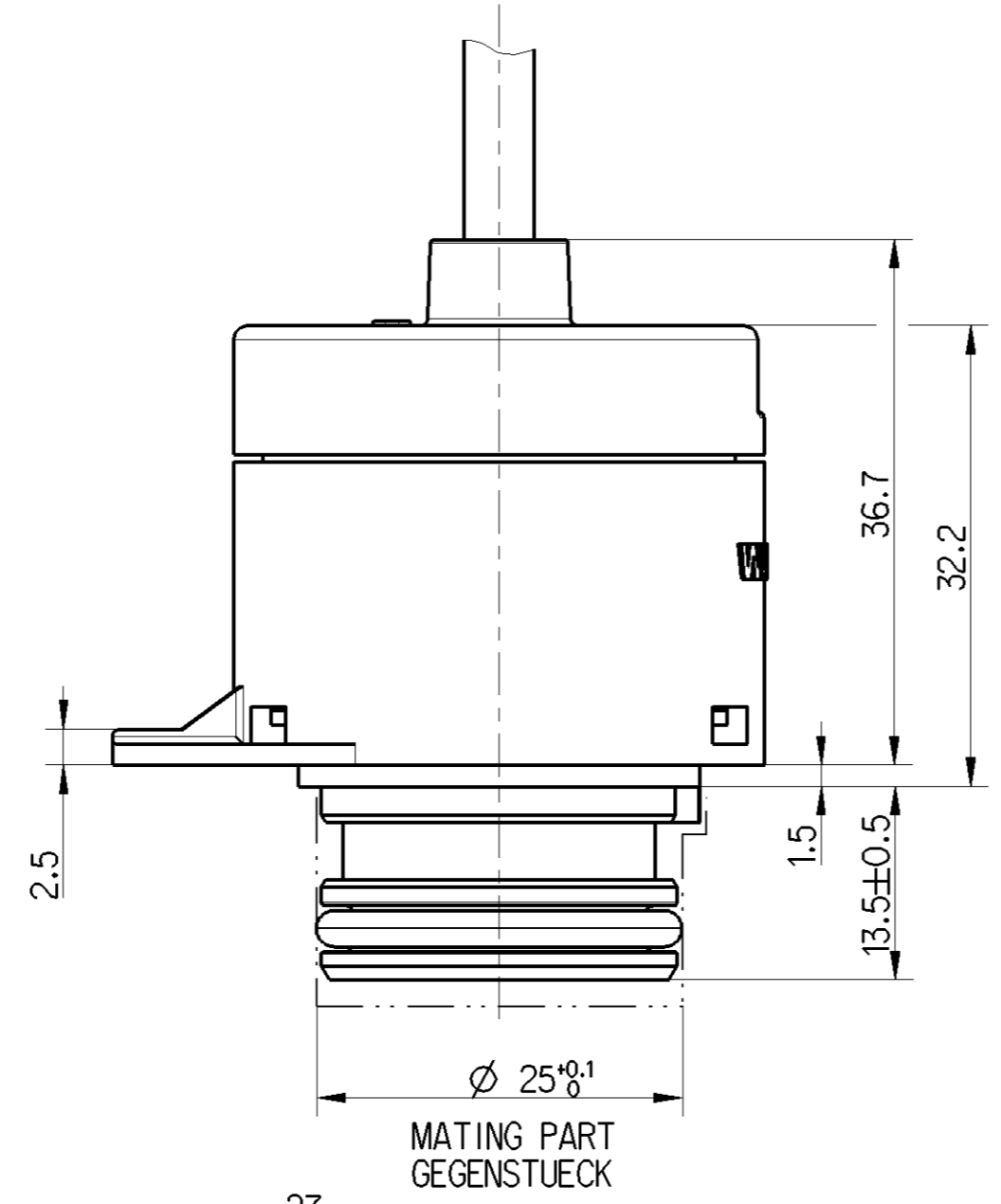
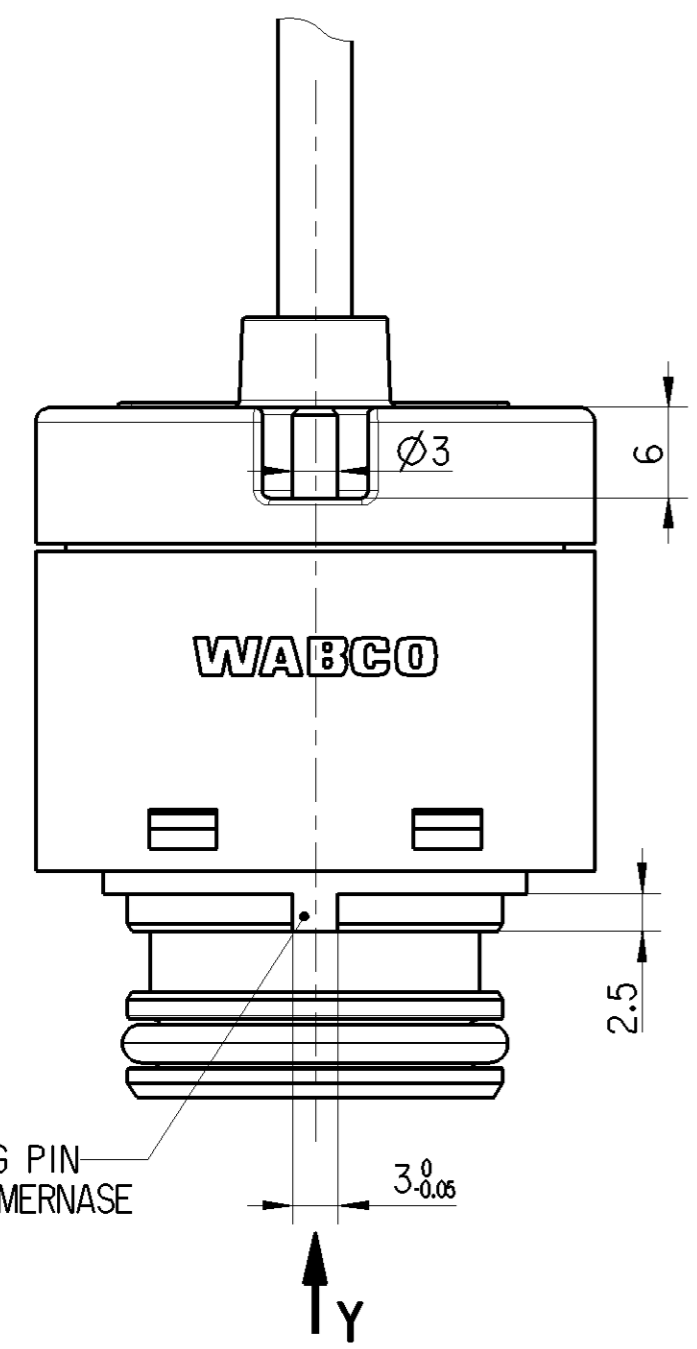
STORAGE TEMPERATURE
LAGERTEMPERATUR -40° ... +80°C, 110°C/max.1h
TEMPERATURE DE STOCKAGE
TEMPERATURA DI IMMAGAZZINAMENTO

RESISTANCE VALUE
WIDERSTANDSWERT R1= 1kΩ±20%
VALEUR DE RESISTANCE R2= 2k7Ω±20%
VALORE DI RESISTENZA

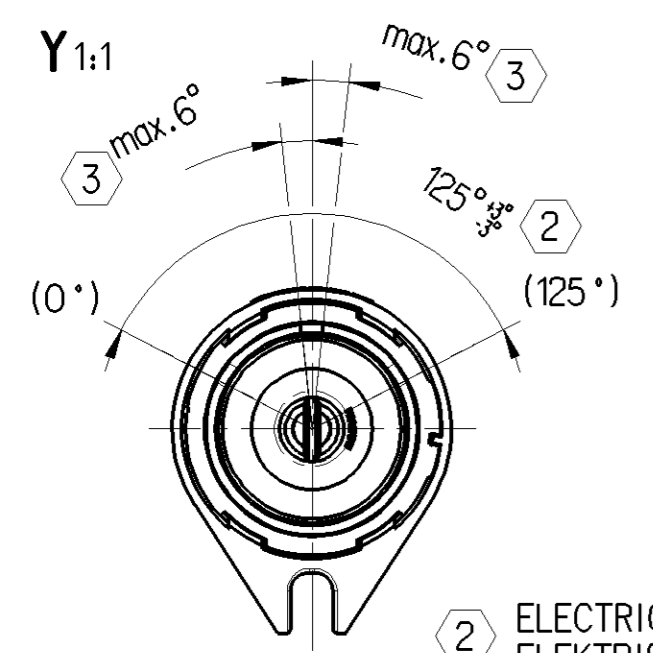
NOMINAL SUPPLY VOLTAGE
NENNVERSORGUNGSSPANNUNG U_{1-3} = 15 VDC
TENSION NOMINALE D' ALIMENTATION
TENSIONE NOMINALE DI ALIMENTAZIONE

MAX. LOAD CURRENT
MAX. LASTSTROM I_2 = 1 mA
COURANT MAXIMAL DE CHARGE
MAX. CORRENTE DI CARICO

LINEARITY
LINEARITAET (U₁₋₂) ±2.5% FS (FS=U₁₋₃ ; 125°)
LINEARITE
LINEARITA



① THREE CORE CABLE (FULFILLED UN/ECE R118) [ⓐ]
LEITUNG DREIADIG (ERFUELLT UN/ECE R118)
CABLE A TROIS CONDUCTEURS (ACCOMPLI UN/ECE R118)
CAVO A TRE CONDUTTORI (ESAUDIRE UN/ECE R118) } PVC 3x0.5mm²



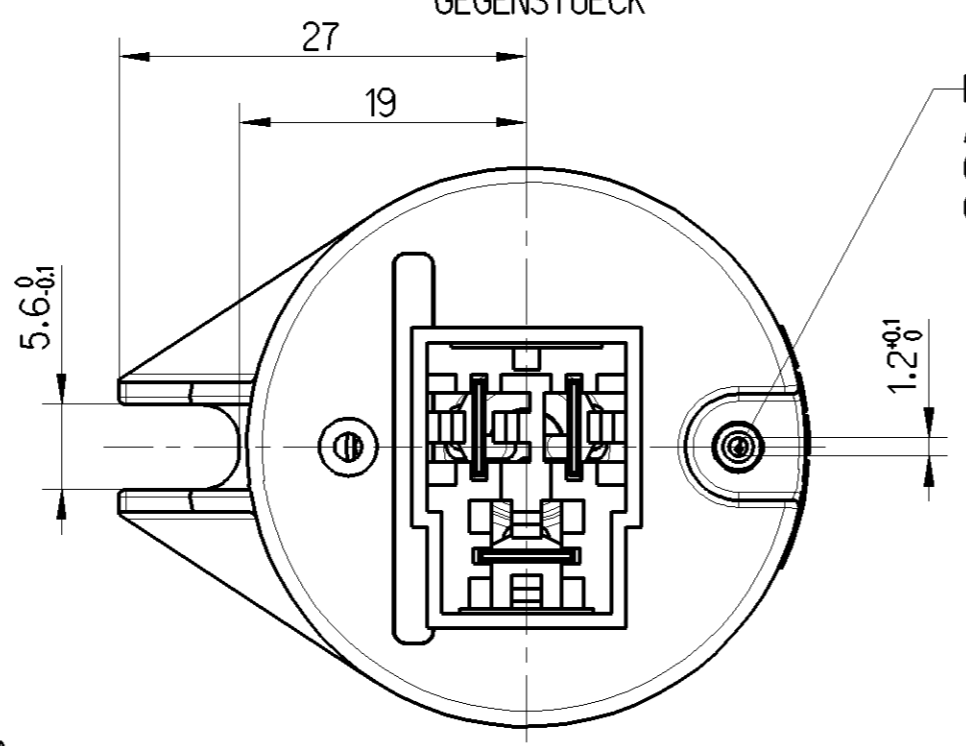
OPERATING ANGLE
BETAETIGUNGSWINKEL
ANGLE DE COMMANDE
ANGOLA DI COMANDO

② ELECTRICAL
ELEKTRISCH
ELECTRIQUE
ELETTRICO

MECHANICAL
MECHANISCH
MECANIQUE
MECCANICO

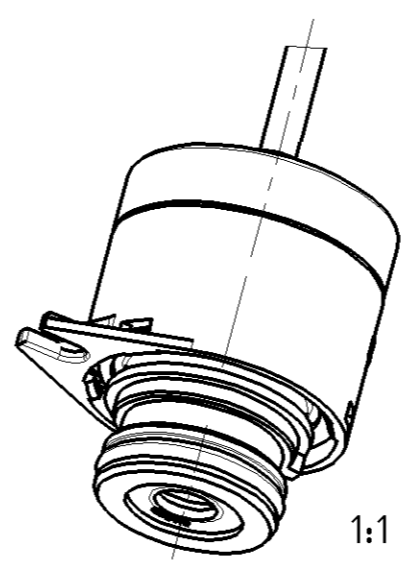
125°±3°

>360°



③ TOLERANCE OF POSITION AT
LAGETOLERANZ BEI
TOLERANCE DE POSITION A
TOLLERANZA DI POSIZIONE A

$U_{1-2}=U_{1-3}/2$



General Specification: JED-334-1, Size ISO 14405 LP		Copyright WABCO®		WABCO	
Further Technical Data: 446 190 150 0		Date	Signature	MTS-DOOR SENSOR	
Doc. Code: 035	Sheet: 1 To 7	2016-06-10	Hornischmacher	MTS-TUERSENSOR	
General Tolerances JED-261		Checked		MTS-CAPTEUR DE PORTE	
Range of Nominal Dimensions (± mm)		2016-06-13	Grueudker	MTS-SENSORE PORTA	
Class 1)	< 50	50 - 180	180 - 400	400 - 630	> 630
Fine	0.5	1.0	1.5	2.0	3.0
Medium	1.0	2.0	3.0	4.0	6.0
Coarse	2.0	3.5	5.0	6.5	10.0
Tapped Holes acc.		Mass	Scale	Material No.	Date of first issue: 1997-04-29
1) Tolerance Class Applied Crossmarked		0.070	2:1	446 190 150 0	Doc.Code Language Sheet
		kg	1:1	005 ML 1/1	
		Size	CAD System	ECN-No.	Revision Techn. Resp.
		A 2	CREO	170808	1x G 6540_EM
				Replacement for 884 904 637 0	

Non e permesso copiare, o terzi o riprodurre questo documento, ne utilizzare il contenuto o renderlo comunque noto o terzi senza autorizzazione esplicita. Ogni infrazione costituisce un evidente abuso e comportera il risarcimento dei danni subiti. E' fatta riserva di tutti i diritti derivanti da brevetti o modelli.
 Coping of this document and giving it to others and the use or communication of the contents thereof, are forbidden without express authority. Contravention of this restriction will constitute an evident abuse and result in a liability to the payment of damages. All rights are reserved in the event of the grant of patent or registration of a utility model or design. This document is the subject of copyright.
 Toute communication ou reproduction de ce document, toute exploitation ou communication de son contenu sont interdites, sauf autorisation expresse. Tout manquement a cette regle constitue un abus evident et expose son auteur au versement de dommages et interets. Tous droits de proprieete industrielle reserves, notamment en matiere de brevets et de modesles.
 Weitergabe sowie Vervielfaetigung dieser Unterlagen, Verwertung und Mitteilung ihres Inhalts nicht gestattet, soweit nicht ausdruecklich angedeutet. Zuwiderhandlungen stellen einen offensichtlichen Missbrauch dar und verpflichten zu Schadenersatz. Alle Rechte fuer den Fall der Patenterteilung oder Gebrauchsmuster-Ertragung vorbehalten.