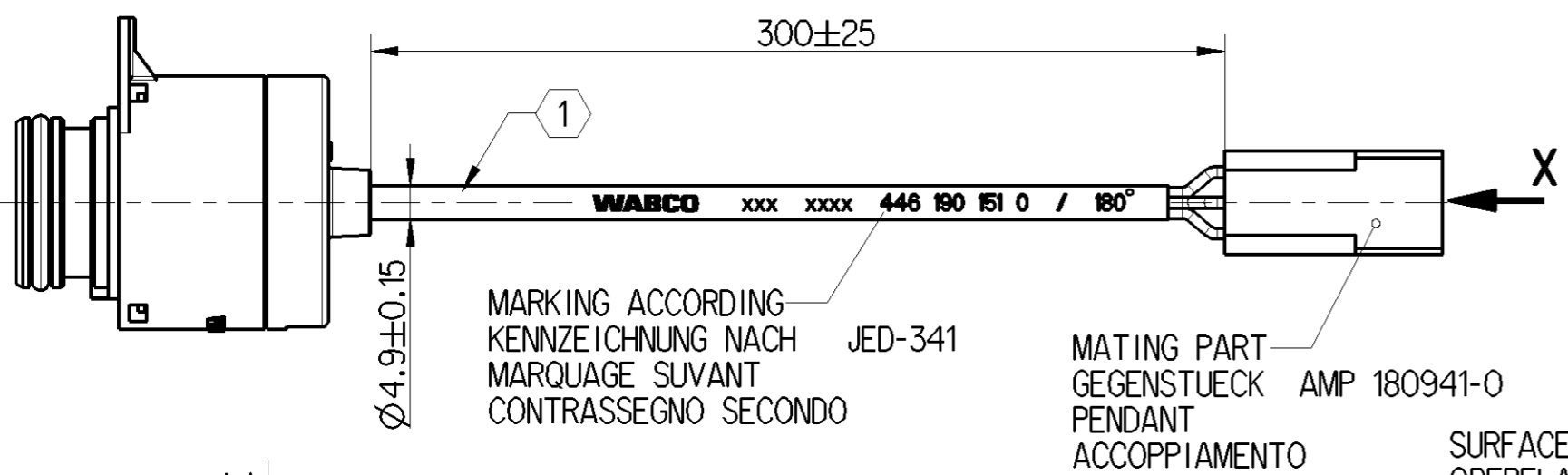


<1> SAFETY CHARACTERISTICS	0
<2> SIGNIFICANT CHARACTERISTICS	0



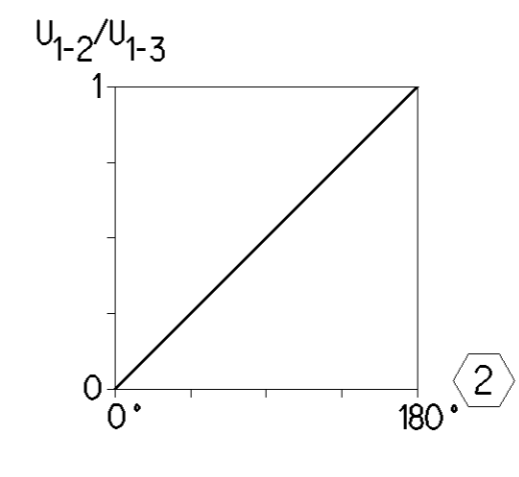
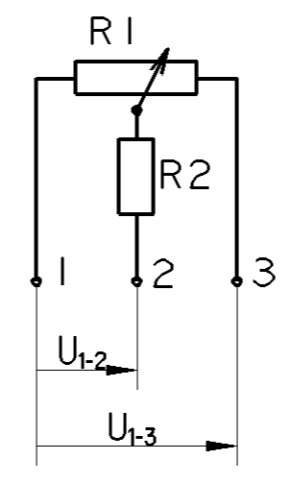
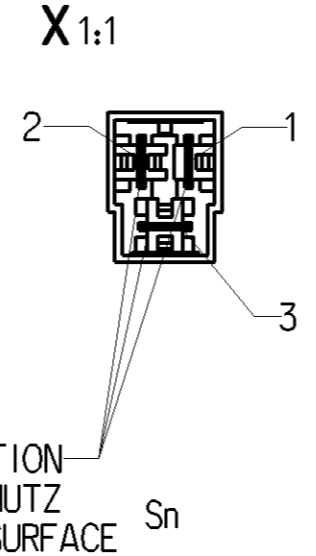
MARKING ACCORDING
KENNZEICHNUNG NACH
MARQUAGE SUVANT
CONTRASSEGNO SECONDO

JED-341

MATING PART
GEGENSTUECK AMP 180941-0
PENDANT
ACCOPIAMENTO

SURFACE PROTECTION
OBERFLAECHENSCHUTZ
PROTECTION DE SURFACE
PROTEZIONE SUPERFICICI

Sn



WORKING TEMPERATURE
BETRIEBSTEMPERATUR
TEMPERATURE D'UTILISATION
TEMPERATURA DI ESERCIZIO

-40° ... +80°C

STORAGE TEMPERATURE
LAGERTEMPERATUR
TEMPERATURE DE STOCKAGE
TEMPERATURA DI IMMAGAZZINAMENTO

-40° ... +80°C, 110°C/max.1h

RESISTANCE VALUE
WIDERSTANDSWERT
VALEUR DE RESISTANCE
VALORE DI RESISTENZA

R1= 1kΩ±20%
R2= 2k7Ω±20%

NOMINAL SUPPLY VOLTAGE
NENNVERSORGUNGSSPANNUNG
TENSION NOMINALE D' ALIMENTATION
TENSIONE NOMINALE DI ALIMENTAZIONE

U₁₋₃ = 15 VDC

MAX. LOAD CURRENT
MAX. LASTSTROM
COURANT MAXIMAL DE CHARGE
MAX. CORRENTE DI CARICO

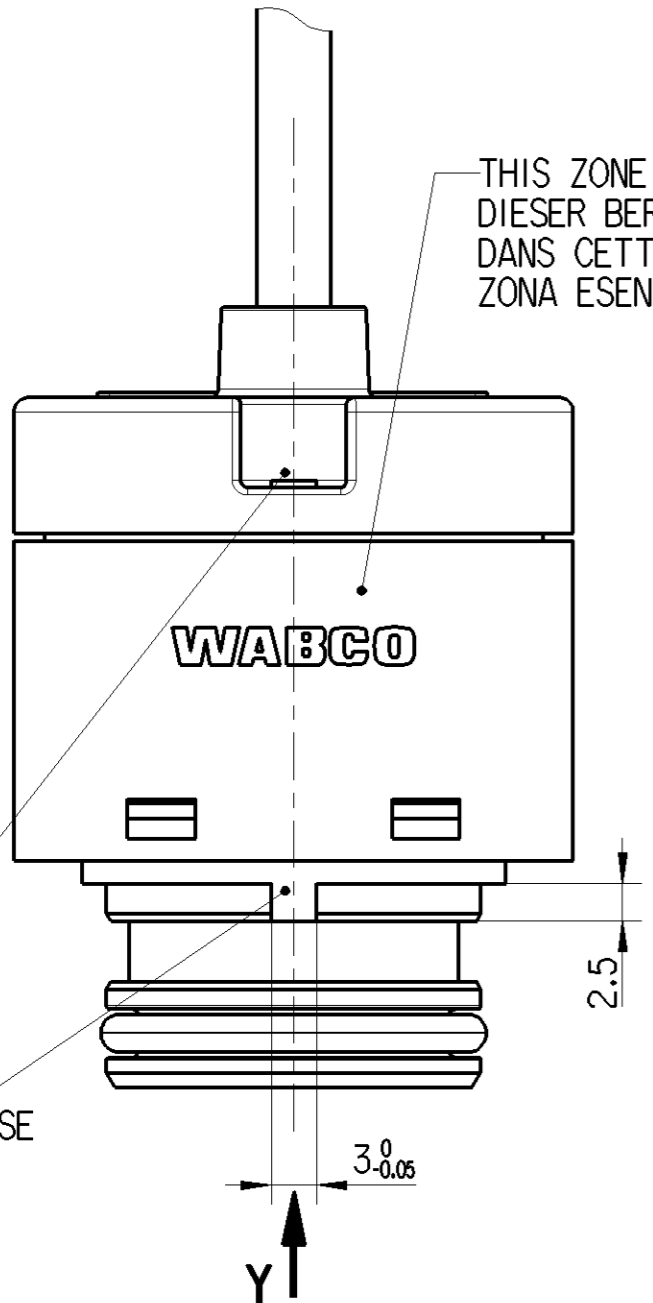
I₂ = 1 mA

LINEARITY
LINEARITAET (U₁₋₂)
LINEARITE
LINEARITA

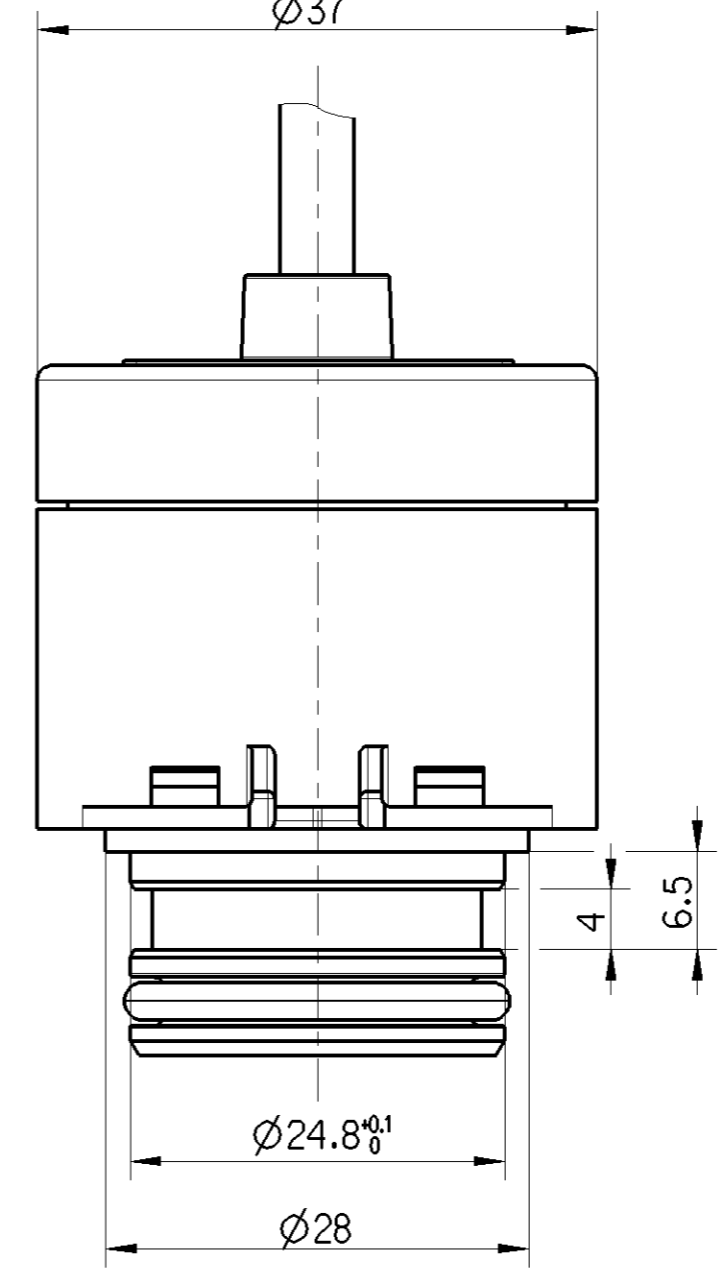
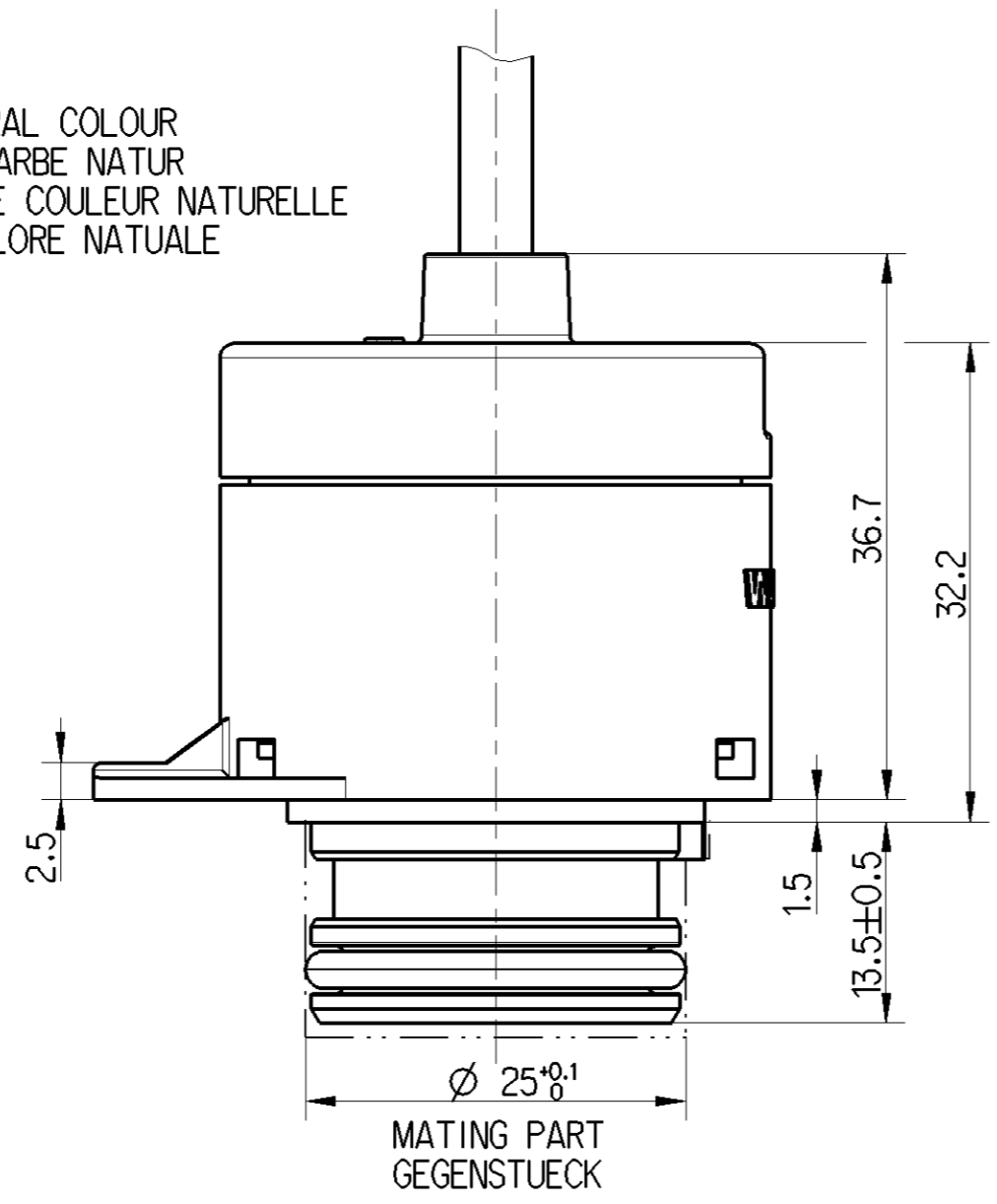
±2,5% FS (FS=U₁₋₃ ; 180°)

Non e permesso copiare, o terzi o riprodurre questo documento, ne utilizzare il contenuto o renderlo comunque noto o terzi senza autorizzazione esplicita. Ogni infrazione costituira un evidente abuso e comportera il risarcimento dei danni subiti. E' fatta riserva di tutti i diritti derivanti da brevetti o modelli.
 Coping of this document and giving it to others and the use or communication of the contents thereof, are forbidden, without express authority. Contravention of this restriction will constitute an evident abuse and result in a liability to the payment of damages. All rights are reserved in the event of the grant of patent or registration of a utility model or design. This document is the subject of copyright.
 Toute communication ou reproduction de ce document, toute exploitation ou communication de son contenu sont interdites, sauf autorisation expresse. Tout manquement a cette regle constitue un abus evident et expose son auteur au versement de dommages et interets. Tous droits de proprieete industrielle reserves, notamment en matiere de brevets et de modesles.
 Weitergabe sowie Vervielfaeltigung dieser Unterlagen, Verleihen und Mitteilen ihres Inhalts nicht gestattet, soweit nicht ausdru cklich ansonstern. Zuwiderhandlungen stellen einen offensichtlichen Missbrauch dar und verpflichten zu Schadenersatz. Alle Rechte fuer den Fall der Patentierung oder Gebrauchsmuster-Ertragung vorbehalten.

NO PORT FOR PRESSURE SWITCH
KEIN ANSCHLUSS FUER DRUCKSCHALTER
NON ORIFICE POUR CONTACTEUR ELECTROPNEUMATIQUE
NON OROFIZIO PER INTERRUTTORE PNEUMATICO DI CORRENTE

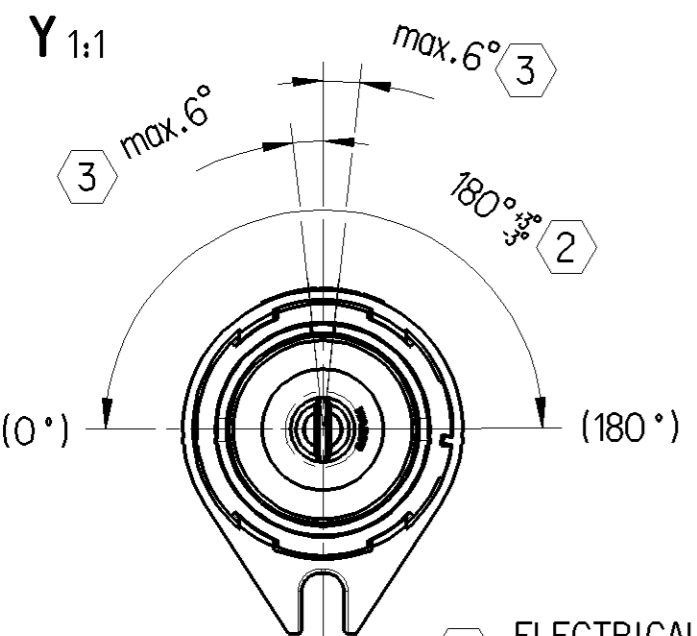


THIS ZONE NATURAL COLOUR
DIESER BERECH FARBE NATUR
DANS CETTE ZONE COULEUR NATURELLE
ZONA ESENTE COLORE NATUALE



① THREE CORE CABLE (FULFILLED UN/ECE R118) ^E
LEITUNG DREIADRIG (ERFUELLT UN/ECE R118)
CABLE A TROIS CONDUCTEURS (ACCOMPLI UN/ECE R118)
CAVO A TRE CONDUTTORI (ESAUDIRE UN/ECE R118)

PVC
3x0.5mm²



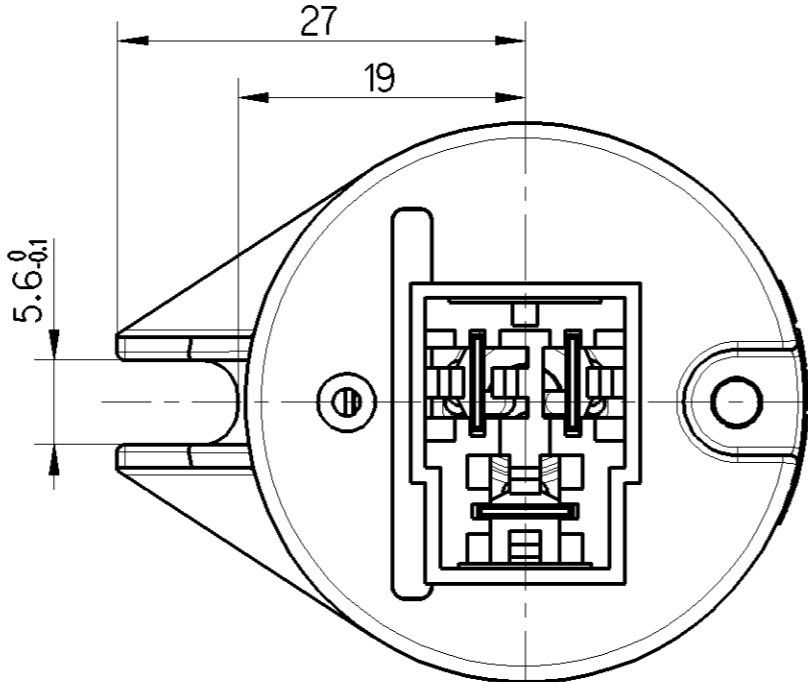
OPERATING ANGLE
BETAETIGUNGSWINKEL
ANGLE DE COMMANDE
ANGOLA DI COMANDO

② ELECTRICAL
ELEKTRISCH
ELECTRIQUE
ELETTRICO

MECHANICAL
MECHANISCH
MECANIQUE
MECCANICO

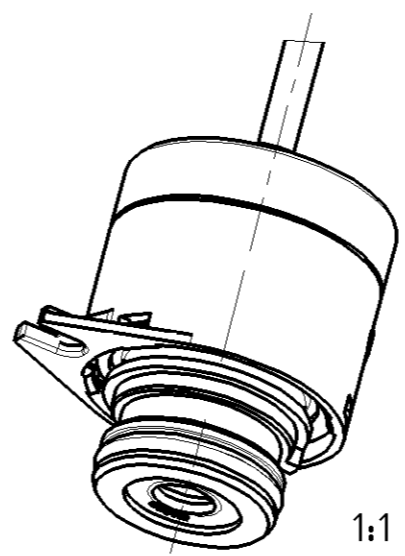
180°±3°

>360°



③ TOLERANCE OF POSITION AT
LAGETOLERANZ BEI
TOLERANCE DE POSITION A
TOLLERANZA DI POSIZIONE A

U₁₋₂=U₁₋₃/2



General Specification: JED-334-1, Size ISO 14405 LP		Copyright WABCO®		WABCO	
Further Technical Data: 446 190 150 0		Date	Signature	MTS-DOOR SENSOR	
Doc. Code: 035	Sheet: 1 To 7	2016-06-10	Hornischmacher	MTS-TUERSENSOR	
General Tolerances JED-261		Checked		MTS-SENSORE DE PORTE	
Range of Nominal Dimensions (± mm)		2016-06-13	Grueudker	MTS-SENSORE PORTA	
Class 1)	≤ 50 $> 50 \le 180$ $> 180 \le 400$ > 400	Expert		Material No.	
Fine	0.5 1.0 1.5 2.0	Laoges		Date of first issue: 1998-01-12	
Medium	1.0 2.0 3.0 4.0	Mass	Scale	Doc.Code Language Sheet	
Coarse	2.0 3.5 5.0 6.5	0.070 kg	2:1 1:1	446 190 151 0	
Tapped Holes acc.		Size	CAD System	005 ML 1/1	
1) Tolerance Class Applied Crossmarked		A 2	CREO	ECN-No. Revision Techn. Resp. Replacement for	
		170808	1x E	6540_EM 884 904 970 0	

100mm