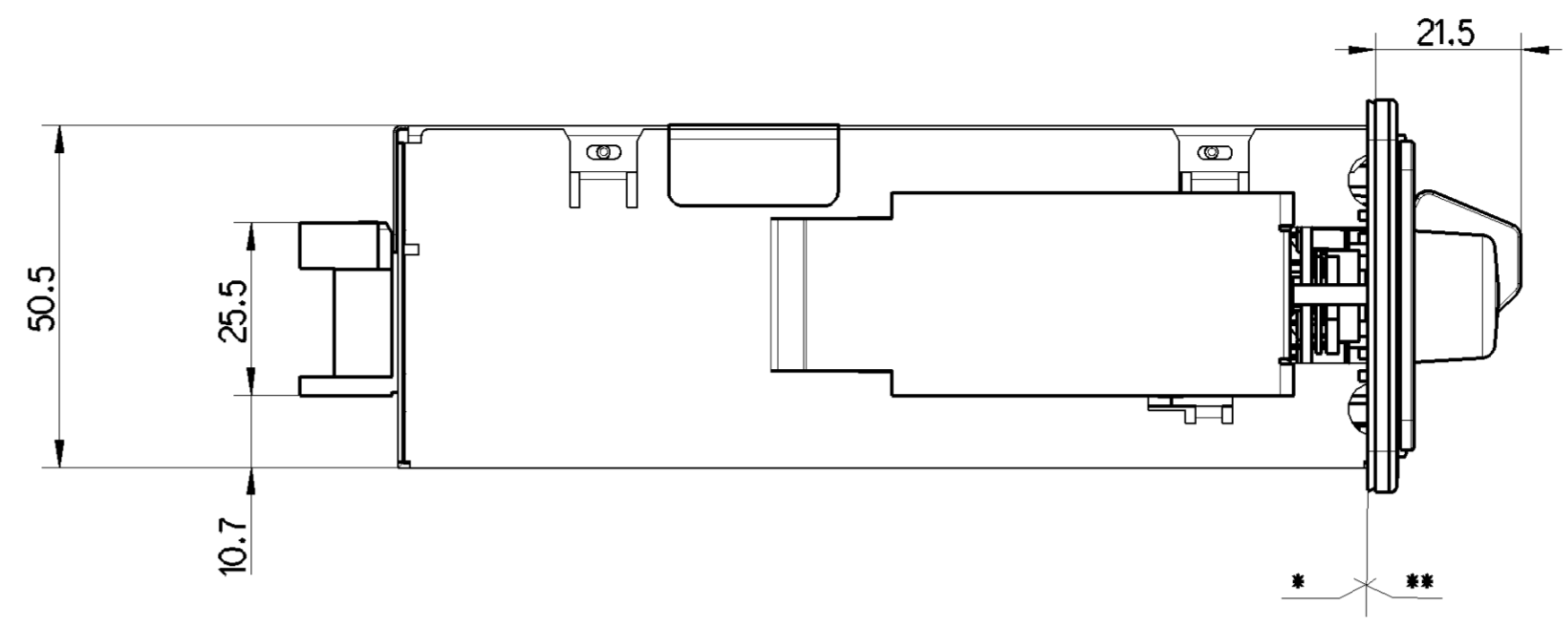
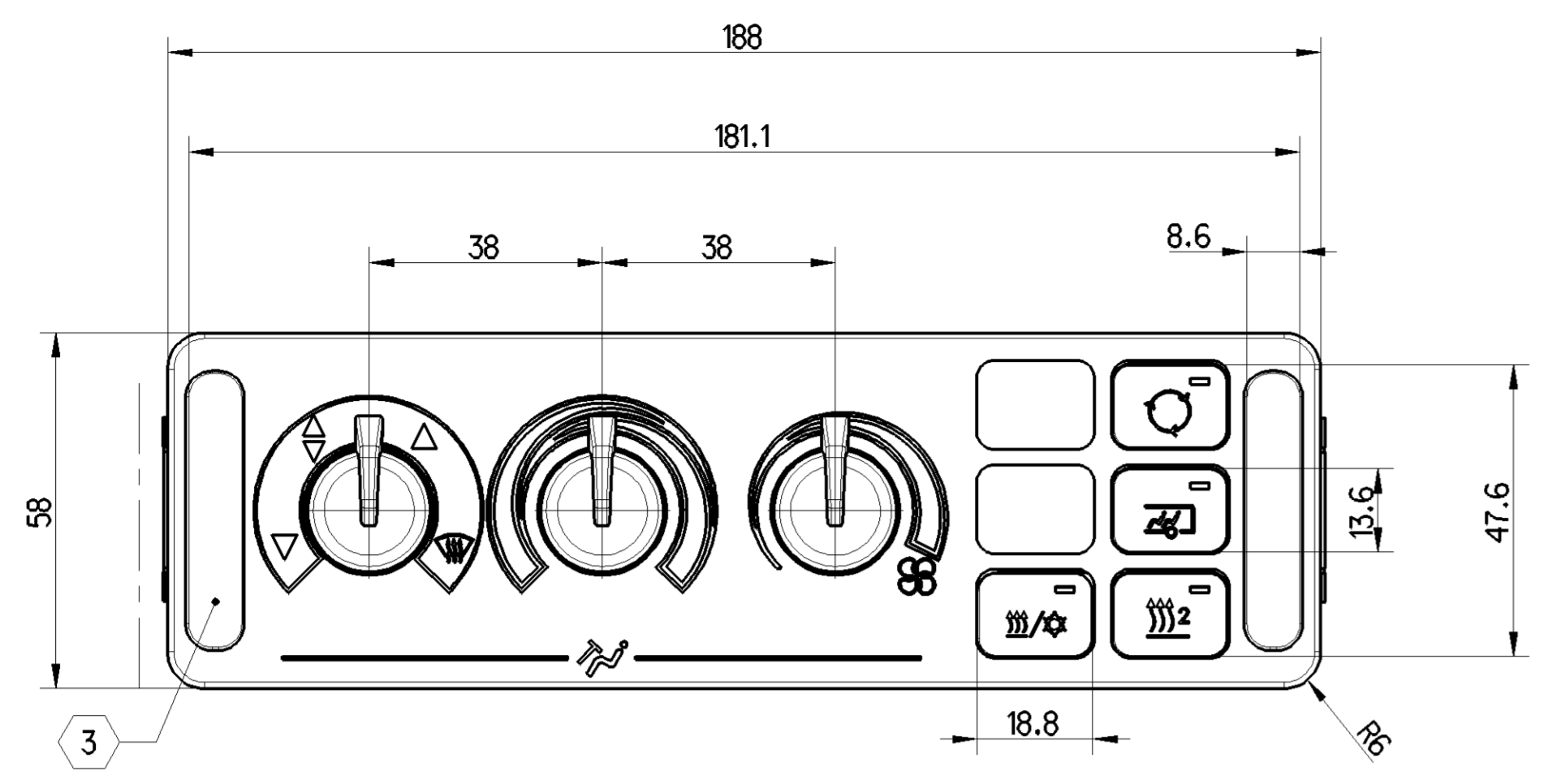


SAFETY CHARACTERISTICS	0
SIGNIFICANT CHARACTERISTICS	0



VOLTAGE :  
 SPANNUNG : 24V±25%  
 VOLTAGE :  
 VOLTAGGIO :

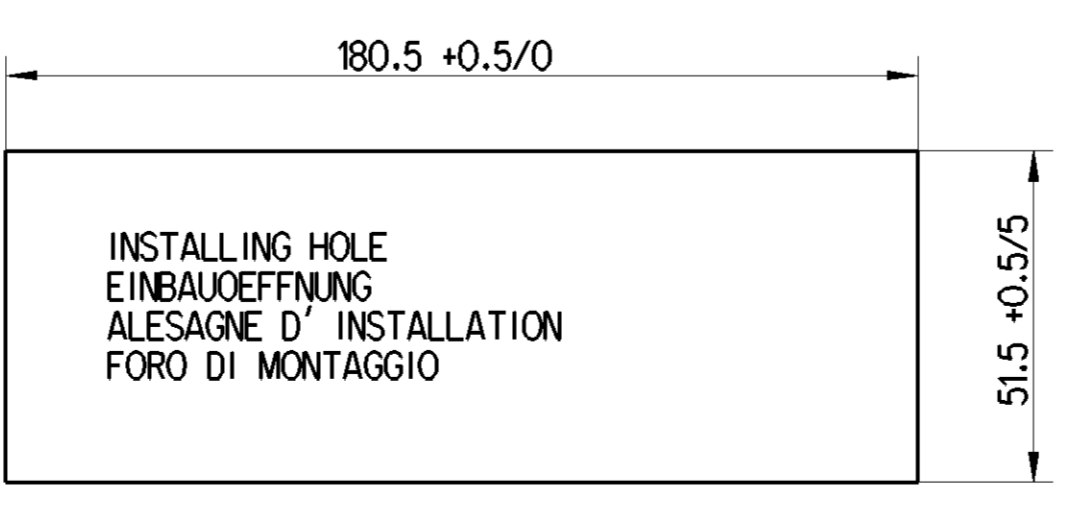
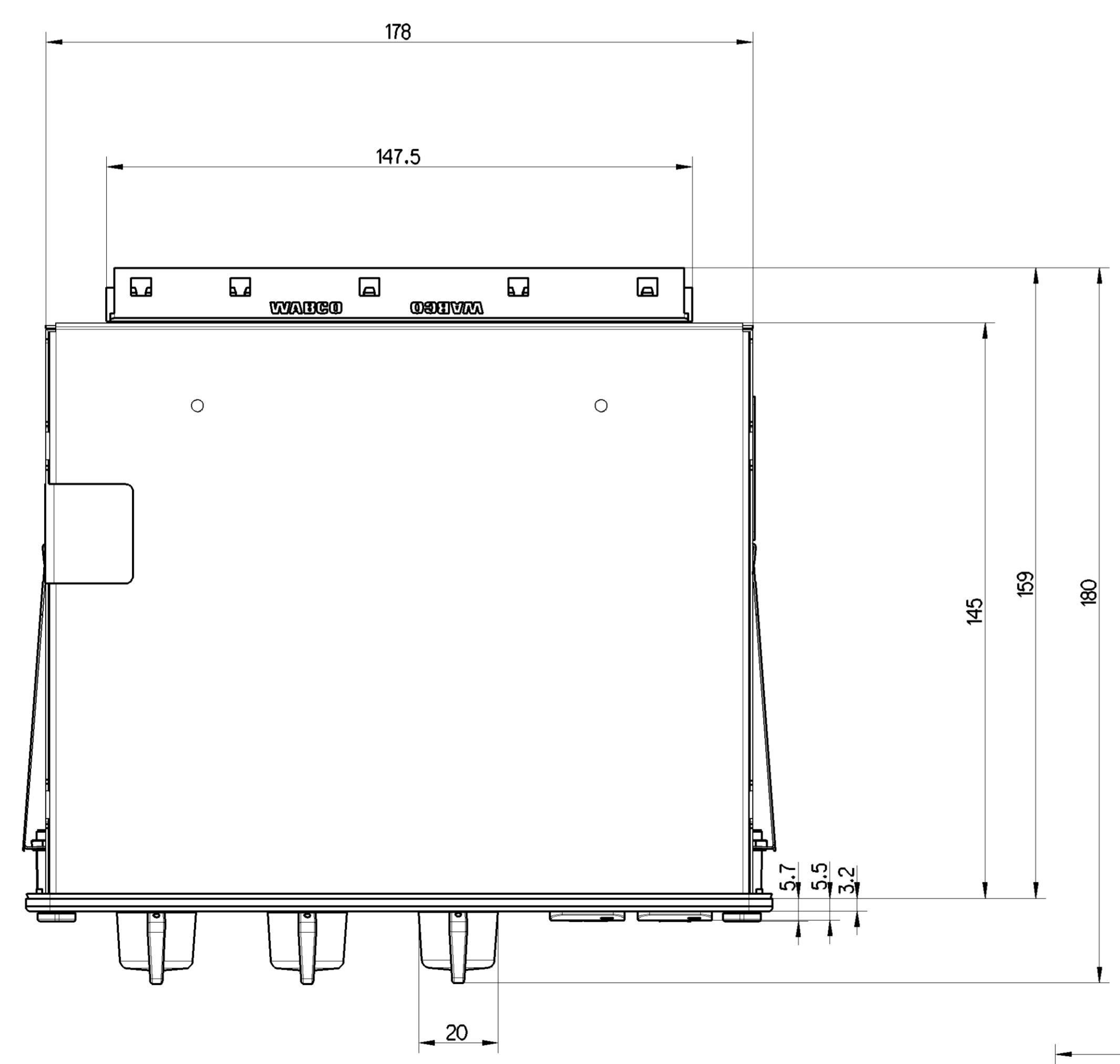
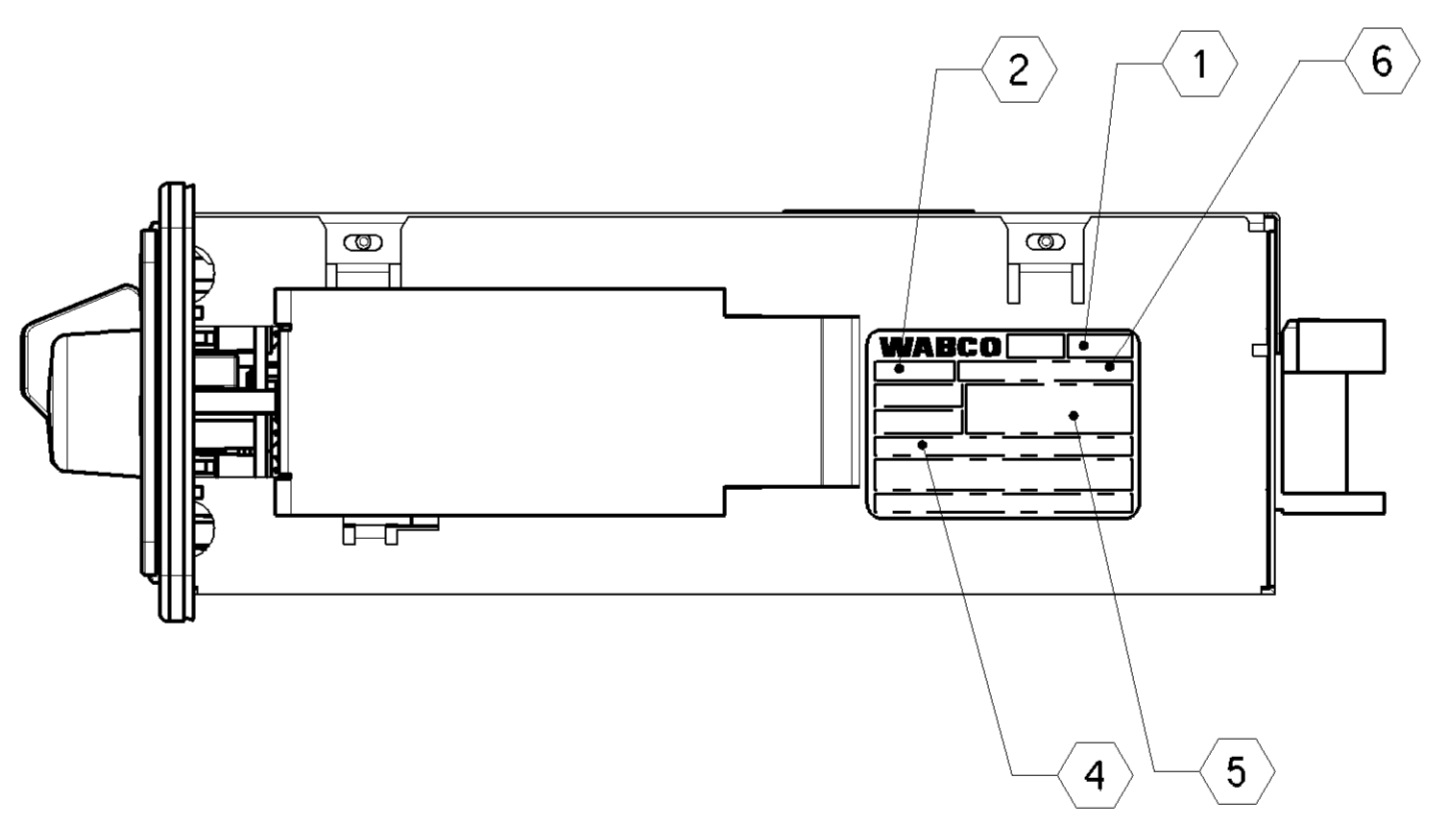
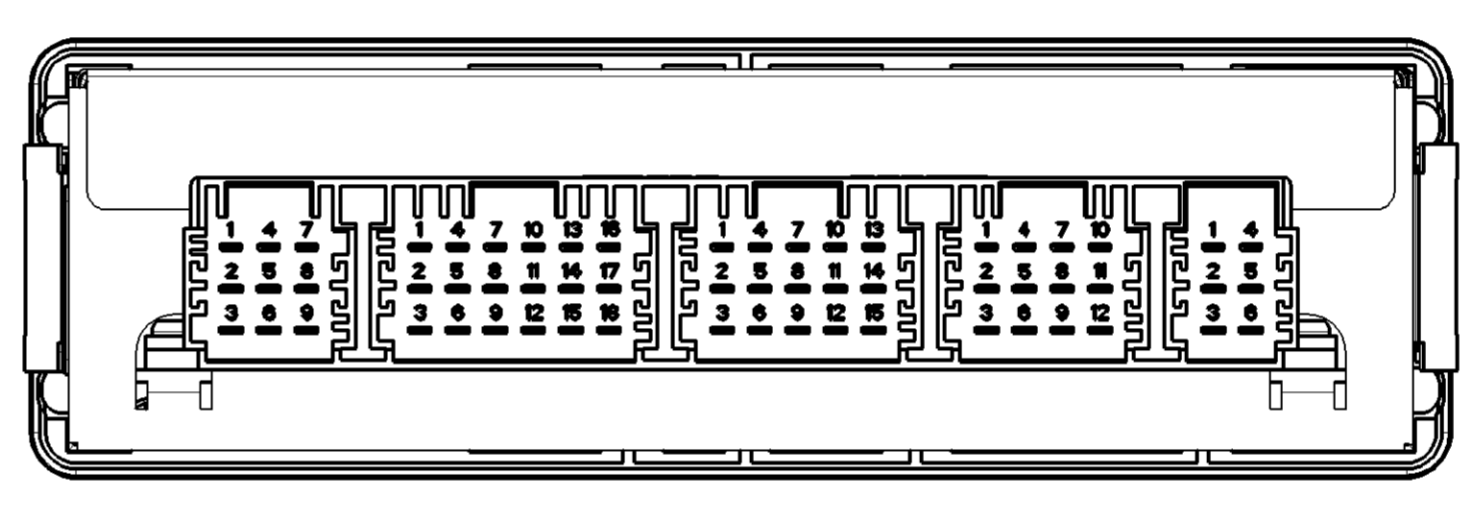
THERMAL RANGE OF APPLICATION :  
 THERM. ANWENDUNGSBEREICH : -20°C...+65°C  
 GAMME D'APPLICATION THERMIQUE :  
 CAMPO DI APPLICAZIONE TERMICA :

STORAGE TEMPERATURE FROM :  
 LAGERTEMPERATUR VON : -40°C...85°C  
 TEMPERATURE DE MAGASINAGE DE :  
 TEMPERATURA DELL'IMMAGAZZAMENTO DA :

PROTECTION TYPE (INSTALLED) :  
 SCHUTZART (EINGEBAUT) : \* IP 54 / \*\* IP 20 (IEC 529)  
 MODE DE PROTECTION (MONTE) :  
 MODO DI PROTEZIONE (MONTATO) :

MALE MULTIPOINT CONNECTOR-SURFACE PROTECTION : TINNED  
 MESSERLEISTE - OBERFLAECHENSCHUTZ : VERZINNT  
 CONNECTEUR MALE MULTIBROCHE-PROTECTION DE SURFACE: ETAME  
 SPINE MULTIPA - PROTEZIONE SUPERFICIALE : STAGNIATO

- 1 DATE OF MANUFACTURE: HERSTELLDATUM: JED-226  
 DATE OF FABRICATION: DATA DI FABRICAZIONE:
- 2 SERIAL NUMBER GREATER THAN: FORTSCHRITZZAHL GROESSER ALS: 0  
 NUMERO DE SERIE PLUS GRAND QUE: NUMERO DI SERIE PIU GRANDE DI:
- 3 M = TORQUE FOR MOUNTING SCREW; M = ANZUGSMOMENT FUER BEFESTIGUNGSSCHRAUBE: 0.25 Nm ±15%  
 M = COUPLE DE SERRAGE DE FIXATION (VIS); M = COPPIA DI SERRAGGIO PER FISSAGGIO (VITE):
- 4 CUSTOMER PART NUMBER KUNDENTEILENUMMER  
 NO. DE PIECE DU CLIENT NO. DELLA PARTE DEL CLIENT
- 5 INSPECTION MARK: PRUEFZEICHEN: E1 10 R - 056301  
 MARQUE DE CONTROLE: STAMPA DI COLLAUDO:
- 6 NAMING / WABCO-No. BENENNING / WABCO-Nr.



Non è permesso copiare o ristampare questo documento, né utilizzare il contenuto o i relativi contenuti nella o per altri scopi. È vietata espressamente la ristampa o l'uso non autorizzato. Toute réimpression ou utilisation non autorisée sans la permission écrite de la WABCO est formellement interdite. Toute réimpression ou utilisation non autorisée sans la permission écrite de la WABCO est formellement interdite. All rights reserved. No part of this document may be reproduced or transmitted in any form or by any means electronic or mechanical, including photocopying and recording, or by any information storage or retrieval system, without the prior written permission of WABCO.

General Specifications: JED-334-1, Size ISO 14405 LP		Copyright WABCO®		<b>WABCO</b>	
Further Technical Data:		Date		Signature	
Doc. Code: Sheet: To:		2017-11-22		Golembiewski	
General Tolerances JED-261		2017-11-22		Geyer	
Range of Nominal Dimensions (± mm)		Export		Expert	
Class	1) ≤ 50	> 50 ≤ 180	> 180 ≤ 400	> 400	±3°
Fine	0,5	1,0	1,5	2,0	
Medium	1,0	2,0	3,0	4,0	
Coarse	2,0	3,5	5,0	6,5	
Tapped Holes acc.:		A 1		CREO	
T1 Tolerance Class Applied Crossmarked		EOL-No.		Revision	
		Tech. Resp.		Replacement for	
		6550		100mm	

doc. 462529 / rev. 005 / WABCO / 14405 LP / 180