

VOLTAGE :
 SPANNUNG : 24V±25%DC
 VOLTAGE :
 VOLTAGGIO :

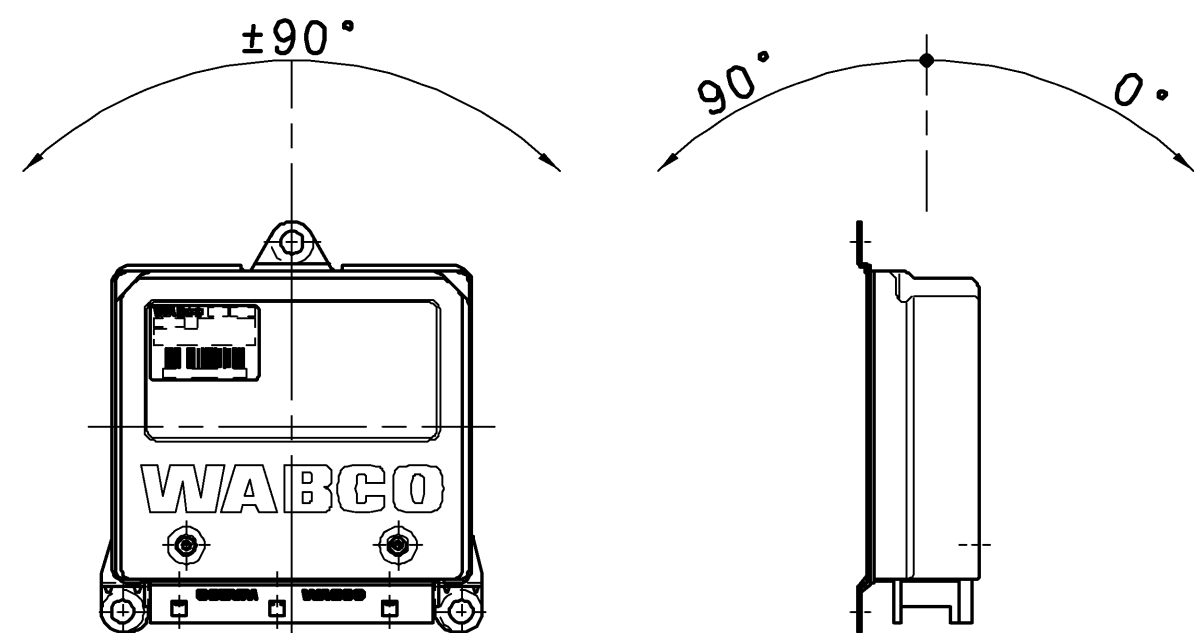
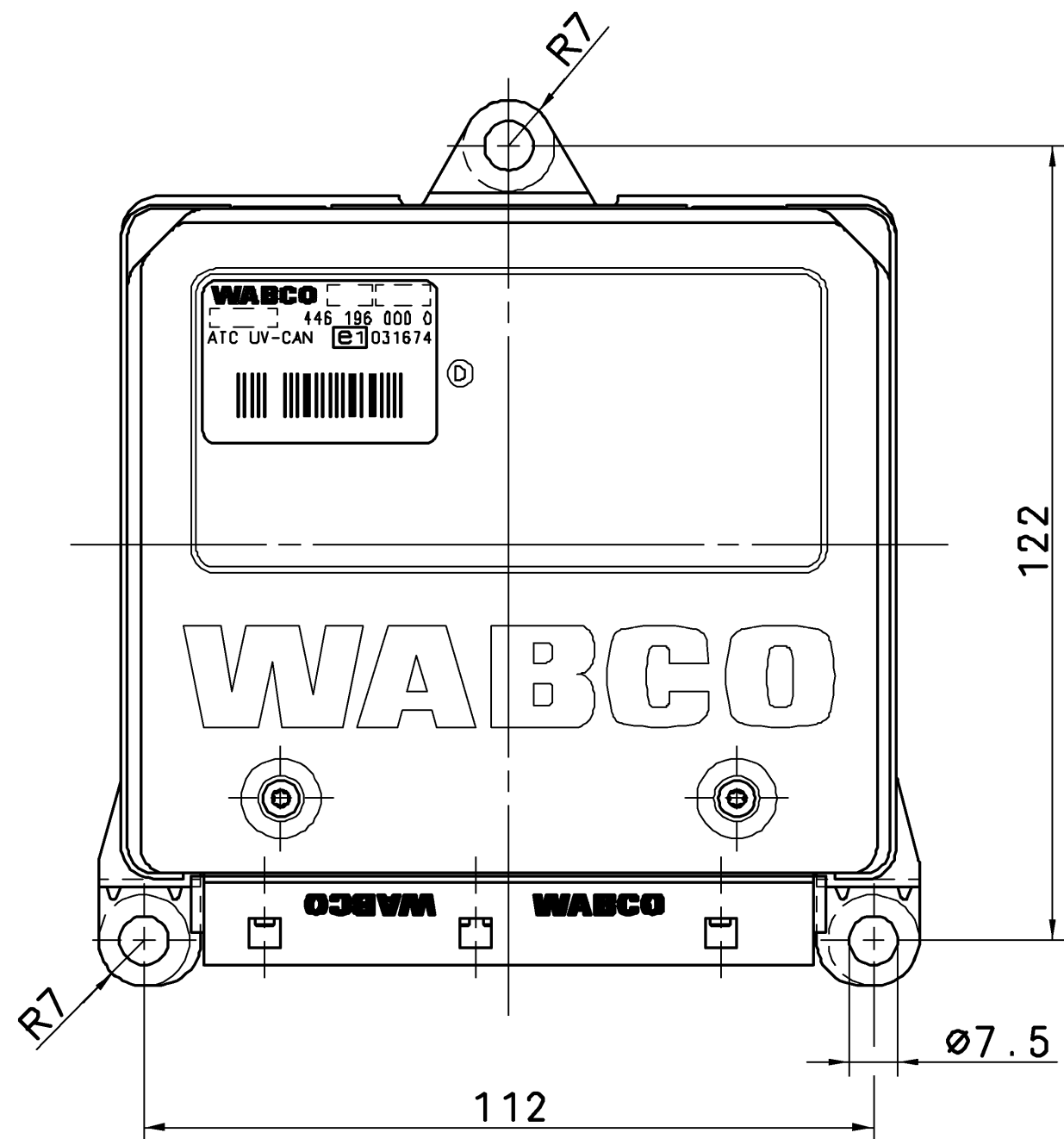
PROTECT TYPE :
 SCHUTZART : IP 30 (IEC 529)
 MODE DE PROTECTION:
 MODO DI PROTEZIONE:

THE ELECTRONIC IS NOT SUBMERSIBLE
 ELEKTRONIK IST NICHT TAUCHFAEHIG
 L' ELECTRONIQUE EST INADAPTE A L'IMMERSION
 LA CENTRALINA ELETTRONICA E INADATTO PER IMMERSIONE

THERMAL RANGE OF APPLICATION :
 THERM. ANWENDUNGSBEREICH : -40°...+85°C ©
 GAMME D' APPLICATION THERMIQUE:
 CAMPO DI APPLICAZIONE THERMICA:

NON-OPERATING TEMPERATURE :
 TEMPERATUR AUSSER BETRIEB : -40°C...+90°C
 TEMPERATURE HORS FONCTIONNEMENT:
 TEMPERATURA FUORI ESERCIZIO :

MALE MULTIPPOINT CONNECTOR: SURFACE PROTECTION : TINNED
 MESSERLEISTE: OBERFLAECHENSCHUTZ : VERZINNT
 CONNECTEUR MALE MULTIBROCHE: PROTECTION DE SURFACE: ETAME
 SPINE MULTIPA: PROTEZIONE SUPERFICIALE : STAGNATO



INSTALLATION POSITION :
 EINBAULAGE :
 POSITION D' INSTALLATION:
 POSIZIONI DI MONTAGGIO :

General Specification: JED-334-0		Copyright WABCO®		WABCO	
Further Technical Data:		Date	Signature	ELECTRONIC ATC UV-CAN	
Doc. Code: Sheet: To		97-11-10	PFENNIG	ELEKTRONIK	
General Tolerances JED-261		Checked		ELECTRONIQUE	
Range of Nominal Dimensions (± mm)		97-11-10		ELETRONNICA	
Class 1)	< 50	> 50 < 180	> 180 < 400	> 400	Material No.
Fine	0.5	1.0	1.5	2.0	446 196 000 0
Medium	1.0	2.0	3.0	4.0	Doc. Code
Coarse	2.0	3.5	5.0	6.5	005
Tapped Holes acc. ISO 4039, JED-152		Size	CAD System	Language	Sheet
1) Tolerance Class Applied Crossmarked		A 2	CCD	ML	1 / 1
		ECN-No.	Revision	Techn. Resp.	Replacement for
		117254	D	6550	

Non è permesso copiare o tradurre questo documento, né utilizzarlo per scopi diversi da quelli per i quali è stato preparato, senza permesso scritto dalla WABCO. Tutti i diritti sono riservati.

Toute réimpression ou reproduction de ce document, toute utilisation ou communication de son contenu pour d'autres fins que celles pour lesquelles il a été préparé, sans la permission écrite de la WABCO, est formellement interdite. Tous droits réservés.

Copying of this document and giving it to others, and the use of communications of the contents thereof, for purposes other than those for which it was prepared, without the express written permission of WABCO is hereby prohibited. All rights are reserved in the event of the grant of patent or registration of a utility model or design. This document is the subject of copyright.

Nachdruck, Vervielfältigung und Verbreitung, auch auszugsweise, ist ohne schriftliche Genehmigung der WABCO AG. Alle Rechte vorbehalten.