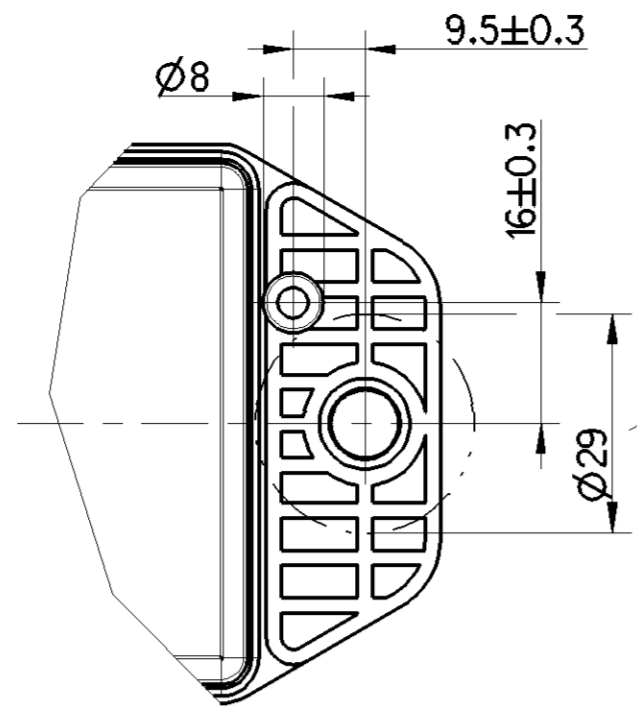


MATERIAL MATERIAL	MATERIAU MATERIALE
I PA66 GF5 GB35	70%JED-753-1 30%JED-688-1
SEALING JOINT DICHTUNG GUARNIZIONE PU	JED-637-2
II CuZn38 Pb1.5	JED-570-84
III AlCu4PbMg	JED-623
IV PA66 GF35	JED-359-1

SAFETY CHARACTERISTICS	0
SIGNIFICANT CHARACTERISTICS	0



FREE SPACE FOR SCREW
FREIRAUM FUER VERSCHRAUBUNG
ESPACE LIBRE POUR RACCORD FILETE
SPAZIO LIBERO PER RACCORDO FILETTATO

TORQUE:
ANZUGSMOMENT: 15 Nm ± 10%
COUPLE DE SERRAGE:
COPPIA DI SERRAGGIO:

THERMAL RANGE OF APPLICATION:
THERMISCHER ANWENDUNGSBEREICH: -40°C...+80°C
GAMME D'APPLICATION THERMIQUE:
CAMPO TERMICO D'APPLICAZIONE:

NON-OPERATING TEMPERATURE:
TEMPERATUR AUSSER BETRIEB: -40°C...+85°C *
TEMPERATURE HORS FONCTIONNEMENT: MAX. 100°C FOR 2h
TEMPERATURA FUORI ESERCIZIO:

DEVICE SHALL BE OPENED BY MANUFACTURER ONLY
GERAET DARF NUR VOM HERSTELLER GEOEFFNET WERDEN
L'APPAREIL NE DOIT ETRE OUVERT QUE PAR LE FABRICANT
IL APPARECCHIO DEVE ESSERE APERTO PER IL PRODUTTORE SOLAMENTE

VOLTAGE:
SPANNUNG: 8V ... 32V (TYP. 24V) DC
VOLTAGE:
VOLTAGGIO:

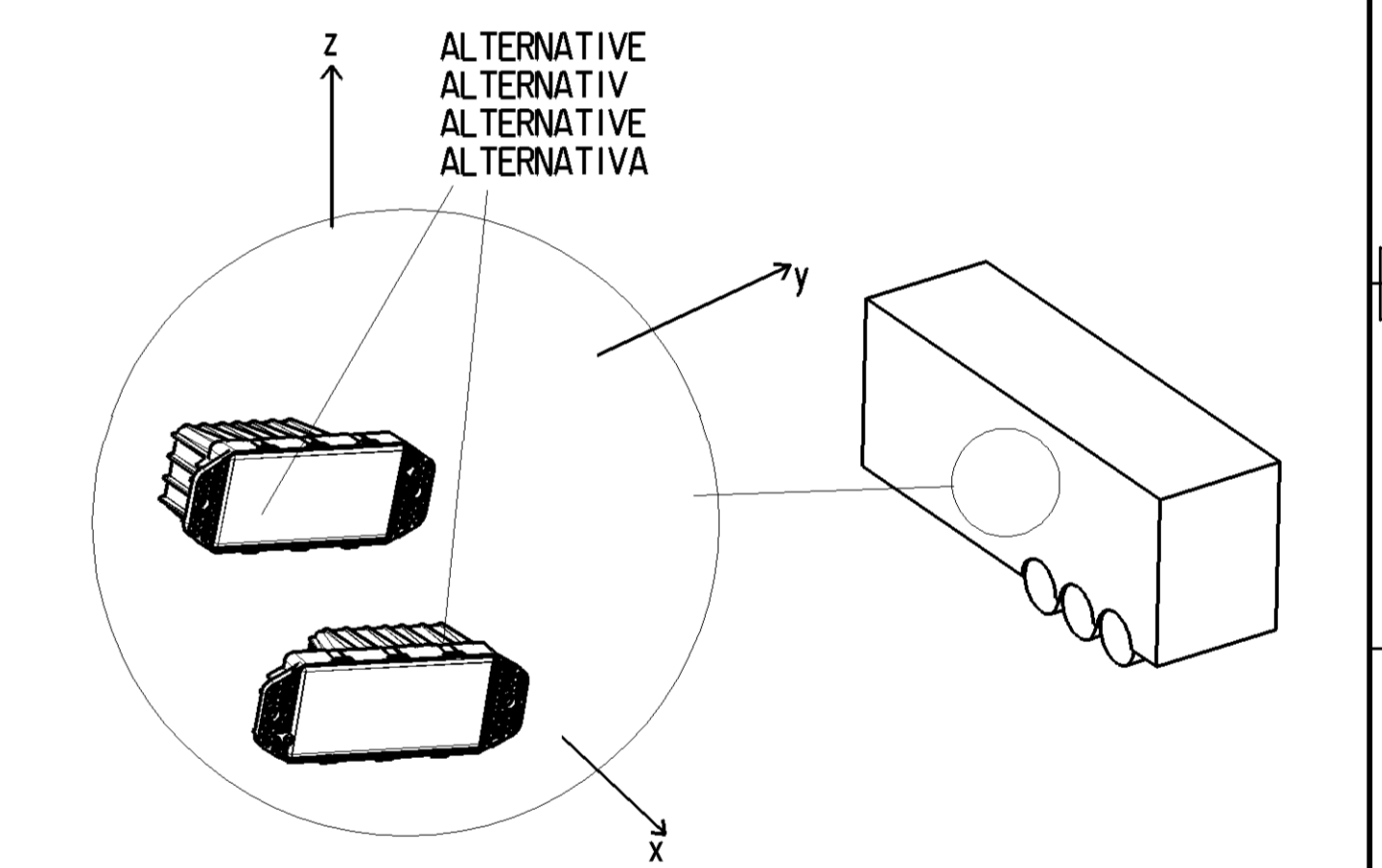
DEGREE OF PROTECTION PROVIDED BY ENCLOSURE:
COMPLETE DEVICE WITH MOUNTED CONNECTOR SOCKET:
SCHUTZART: IP6K6, IP6K7, IP6K9K
KOMPLETTES GERAET MIT MONTIERTER STECKVERBINDUNG: ISO20653 *

MODE DE PROTECTION:
APPAREIL COMPLET AVEC L'ACCOUPLLEMENT:
MODO DI PROTEZIONE:
APPARECCHIO COMPLETO CON ACCOPIAMENTO MONTATO:

- ① PRODUCTION PLACE: JED-225
PRODUKTIONSSTAETTE:
LIEU DE FABRICATION:
LUOGO DI FABBRICAZIONE:
- ② DATE OF MANUFACTURE: JED-226 WEEK WEEK / YEAR YEAR
HERSTELLDATUM: WOCHEN WOCHEN / JAHR JAHR
DATE DE FABRICATION: DATA DI FABBRICAZIONE:
- ③ SERIAL NUMBER: R10 - 047517
FORTSCHRITZAHL:
NUMERO DE SERIE:
NUMERO DI SERIE:
- ④ INSPECTION MARK: (E) R10 - 047517
PRUEFZEICHEN:
MARQUE DE CONTROLE:
STAMPA DI COLLAUDO:

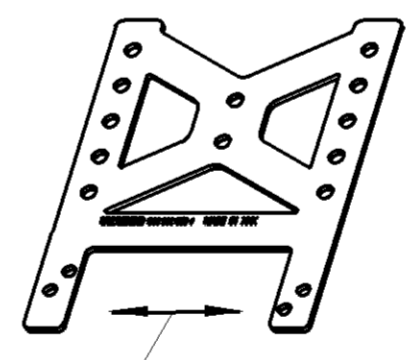
- ⑤ COUNTRY OF ORIGIN: JED-225
URSPRUNGSLAND:
PAYS D'ORIGINE:
PAESE D'ORIGINE:
- ⑥ INSPECTION MARK: FCC-ID: SA4-ECU220
PRUEFZEICHEN: MARQUE DE CONTROLE: IC: 6970A-ECU220
STAMPA DI COLLAUDO:
- ⑦ FCC NOTICE: THIS DEVICE COMPLIES WITH PART 15 OF THE FCC RULES. OPERATION IS SUBJECT TO THE FOLLOWING TWO CONDITIONS:
(1) THIS DEVICE MAY NOT CAUSE HARMFUL INTERFERENCE, AND
(2) THIS DEVICE MUST ACCEPT ANY INTERFERENCE RECEIVED, INCLUDING INTERFERENCE THAT MAY CAUSE UNDESIRE OPERATION.
- ⑧ CE-SIGN, according EC REGULATION 765/2008
CE-Logo, GEMAESS EC REGULATION 765/2008
CE-SIGNE, selon EC REGULATION 765/2008
CE-SEGNO, secondo EC REGULATION 765/2008
- ⑨ UKCA MARKING
HEIGHT OF MARKING AT LEAST 5MM

INSTALLATION POSITION:
EINBAUORT:
POSITION D'INSTALLATION:
POSIZIONE DI MONTAGGIO:



THIS DEVICE CONTAINS A 434 MHz RADIO TRANSMITTER AND RECEIVER AND MATCHING INTEGRATED PCB ANTENNA:
IT MUST NOT BE MOUNTED DIRECTLY ON A METAL SURFACE:
A CUT-OUT AREA (MIN.65mmx145mm,CENTERED ON ECU)
IN THE MOUNTING BRACKET IS RECOMMENDED

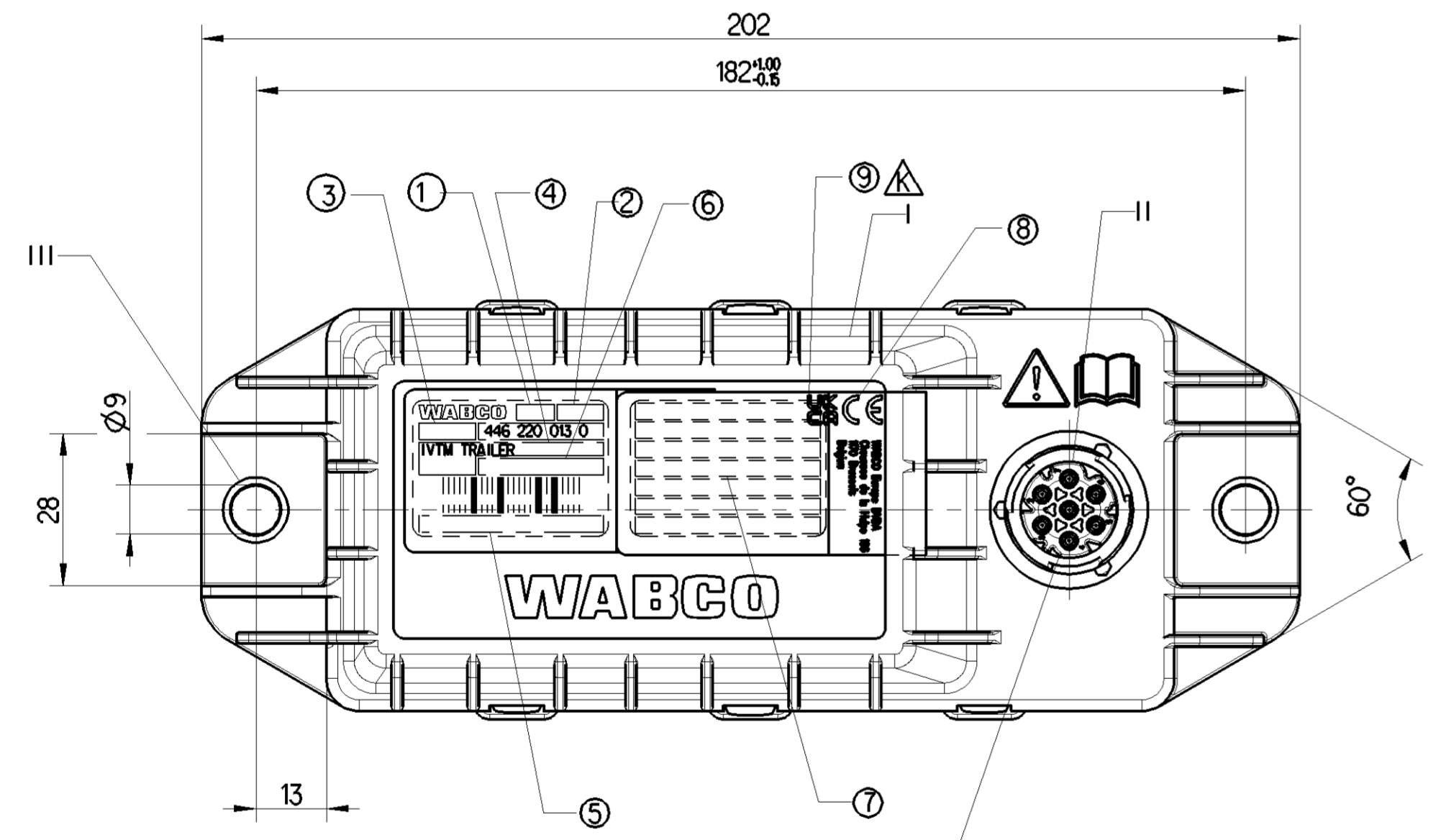
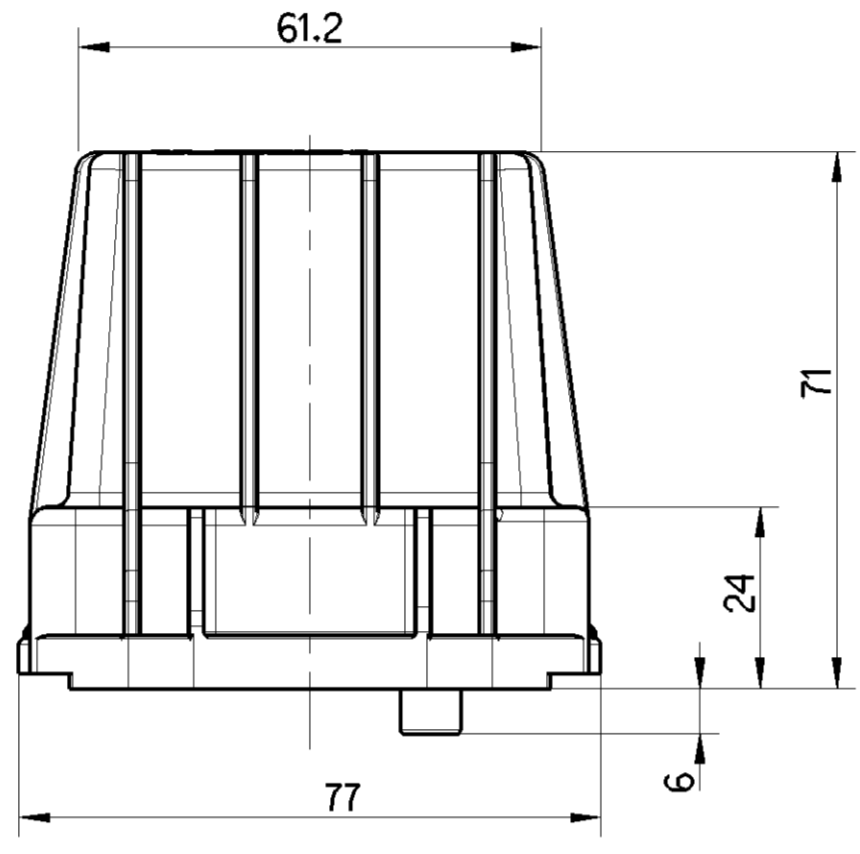
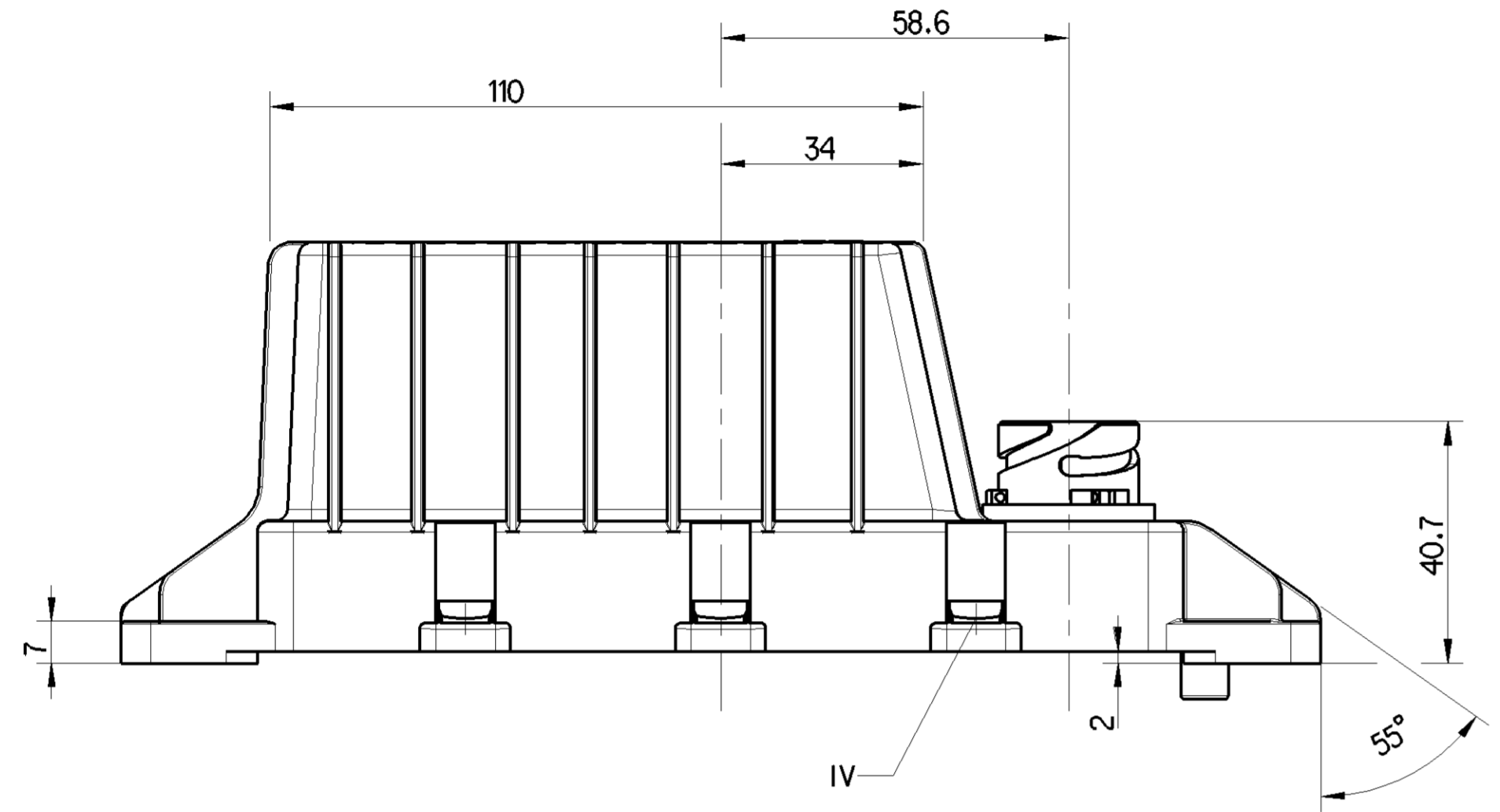
PROPOSED MOUNTING BRACKET
WABCO PARTNO. 960 901 050 4 OR SIMILAR



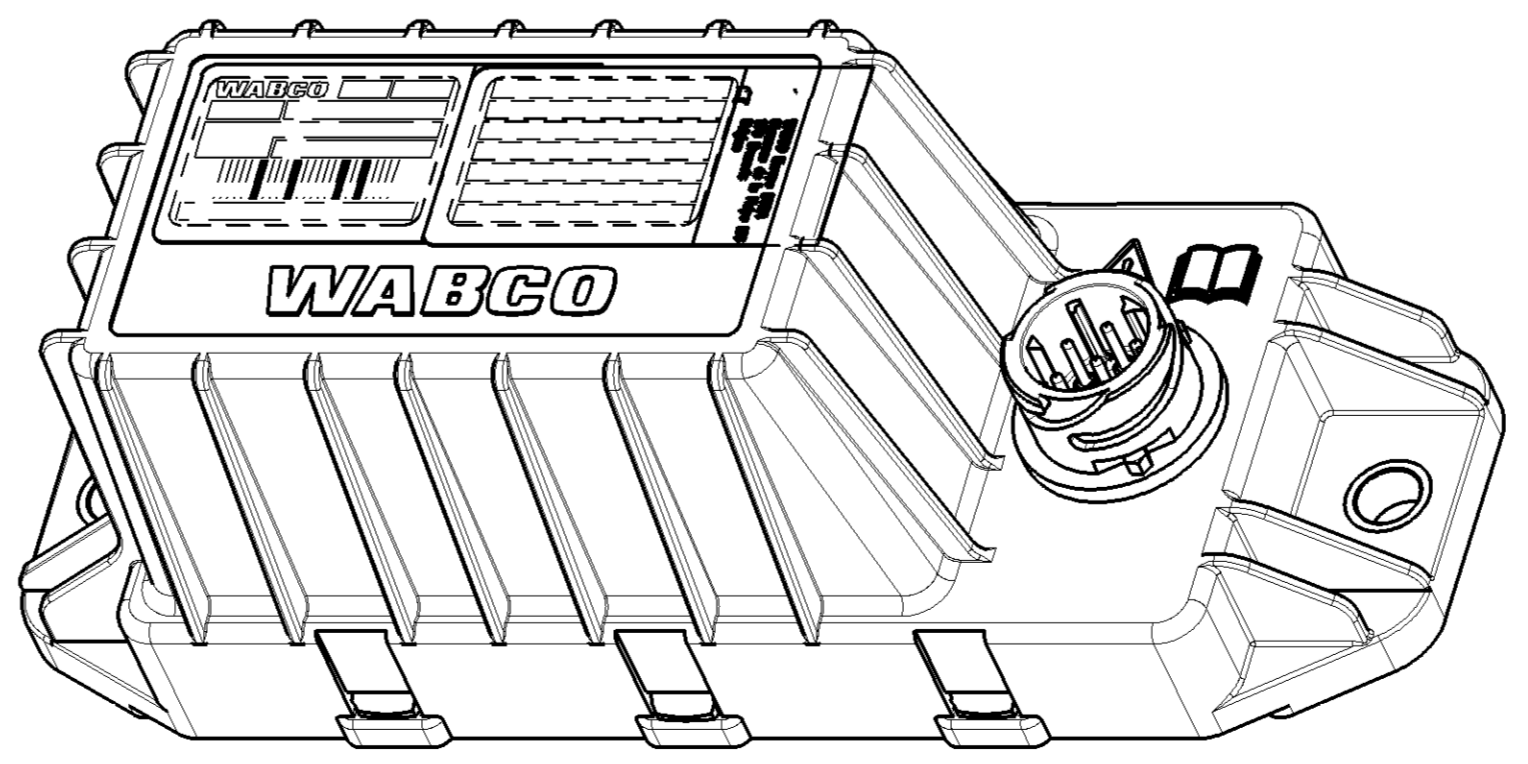
CUT-OUT AREA FOR RF ANTENNA CENTERED ON ECU

INSTALLATION POSITION TO BE DEFINED ACCORDING TO VEHICLE TYPE
FAHRZEUGANBAUORT FAHRZEUGTYPESPEZIFISCH FESTZULEGEN
POSITION D'INSTALLATION DOIT ETRE DEFINIE SUIVANT TYPE DE VEHICULE
POSIZIONE DI MONTAGGIO DEVE ESSERE DETERMINATA SECONDO TIPO VEICOLO

FURTHER TECHNICAL DATA SEE PRODUCT SPECIFICATION
WEITERE TECHNISCHE DATEN SIEHE PRODUKTSPEZIFIKATION (DOC. CODE 035)
POUR AUTRES DONNEES TECHNIQUES VOIR SPECIFICATION DU PRODUIT
PER ULTERIORI DATI TECNICI VEDERE SPECIFICA DI PRODOTTO



RECOMMENDED SOCKET
EMPFOHLENE GERAETESTECKDOSE 894 101 723 2
PRISE DE COURANT RECOMMANDEE
PRESA DI CORRENTE RECOMMANDATA



Non e permesso copiare o riprodurre questo documento, ne utilizzare il contenuto a fini di lucro, senza permesso scritto dalla WABCO. Toute reproduction ou utilisation de son contenu sans autorisation de la WABCO est formellement interdite. All rights reserved. No part of this document may be reproduced, stored in a retrieval system, or transmitted in any form or by any means, electronic, mechanical, photocopying, recording, or by any information storage and retrieval system, without the prior written permission of WABCO.

PORT ANSCHLUSS	PORT ATTACCO	FUNCTION FUNKTION	FUNCTION FUNZIONE
1		CAN LOW CAN LOW	CAN LOW CAN LOW
2		IN/OUT 2 IN/OUT 2	IN/OUT 2 IN/OUT 2
3		GROUND MASSE	MASSE MASSA
4		IN/OUT 1 IN/OUT 1	IN/OUT 1 IN/OUT 1
5		IGNITION ZUENDUNG	ALLUMAGE ACCENSIONE
6		CAN HIGH CAN HIGH	CAN HIGH CAN HIGH
7		UB UB	UB UB

General Specification: JED-334-1, Size ISO 14405 LP		Copyright WABCO®	
Further Technical Data:		Date: 2023-03-30	Signature: Sobolo
Doc. Code:	Sheet: To	Checked: 2023-04-12	Expert: Cornelius
General Tolerances JED-261		Material No. 446 220 013 0	
Range of Nominal Dimensions (± mm)		Mass: 0.320 kg	Date of first issue: 005 ML 1/1
Class	1) ≤ 50	2) 50 > 180	3) 180 ≤ 400
Fine	0.5	1.0	1.5
Medium	1.0	2.0	3.0
Coarse	2.0	3.5	5.0
Tapped Holes acc.		Scale: 1:1	Techn. Resp. 6020
1) Tolerance Class Applied Crossmarked		Size: A 1	Revision: 2x