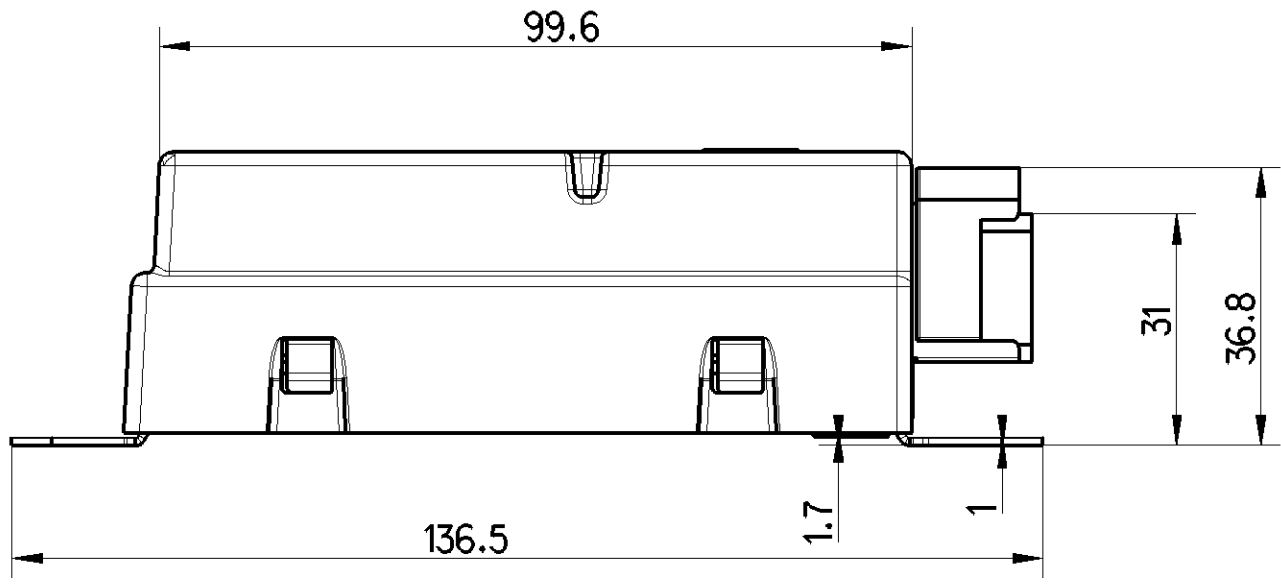
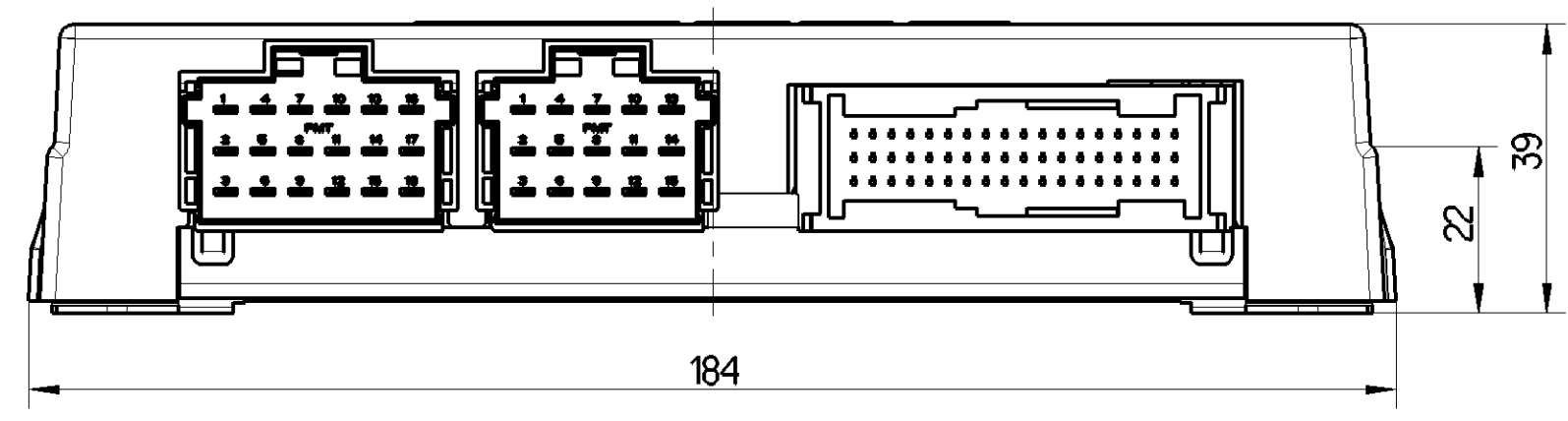


⊠	SAFETY CHARACTERISTICS	0
⊡	SIGNIFICANT CHARACTERISTICS	1



VOLTAGE: 24 V ± 25% DC ***
 SPANNUNG: 24 V ± 25% DC ***
 TENSION: 24 V ± 25% DC ***
 TENSIONE: 24 V ± 25% DC ***

DEGREE OF PROTECTION: IP 30 (IEC 529)
 SCHUTZART: IP 30 (IEC 529)
 DEGRE DE PROTECTION: IP 30 (IEC 529)
 GRADO DI PROTEZIONE: IP 30 (IEC 529)

THERMAL RANGE OF APPLICATION: -40 °C ... +80 °C
 THERMISCHER ANWENDUNGSBEREICH: -40 °C ... +80 °C
 GAMME D'APPLICATION THERMIQUE: -40 °C ... +80 °C
 CAMPO TERMICO D'APPLICAZIONE: -40 °C ... +80 °C

STORAGE TEMPERATURE: -40 °C ... +100 °C ***
 LAGERTEMPORATUR: -40 °C ... +100 °C ***
 TEMPERATURE DE STOCKAGE: -40 °C ... +100 °C ***
 TEMPERATURA DI IMMAGAZZINAMENTO: -40 °C ... +100 °C ***

MALE CONNECTOR: SURFACE PROTECTION: TIN PLATED
 MESSERLEISTE: OBERFLAECHENSCHUTZ: VERZINNT
 CONNECTEUR MALE: PROTECTION DE SURFACE: ETAME
 CONNETTORE MASCHIO: PROTEZIONE SUPERFICI: STAGNATO

CUSTOMER LABEL: OPTIONAL
 * KUNDENAUFKLEBER: BELIEBIG
 ETIQUETTE ADHESIVE DU CLIENT: A VOLONTE
 ETICHETTA ADESIVA DEL CLIENTE: A SCELTA

SERIAL NUMBER GREATER THAN: SEE CCT ⊠
 ** FORTSCHRITZAHN GROESSER ALS: SEE CCT ⊠
 NUMERO DE SERIE PLUS GRAND QUE: SEE CCT ⊠
 NUMERO DI SERIE PIU GRANDE DI: SEE CCT ⊠

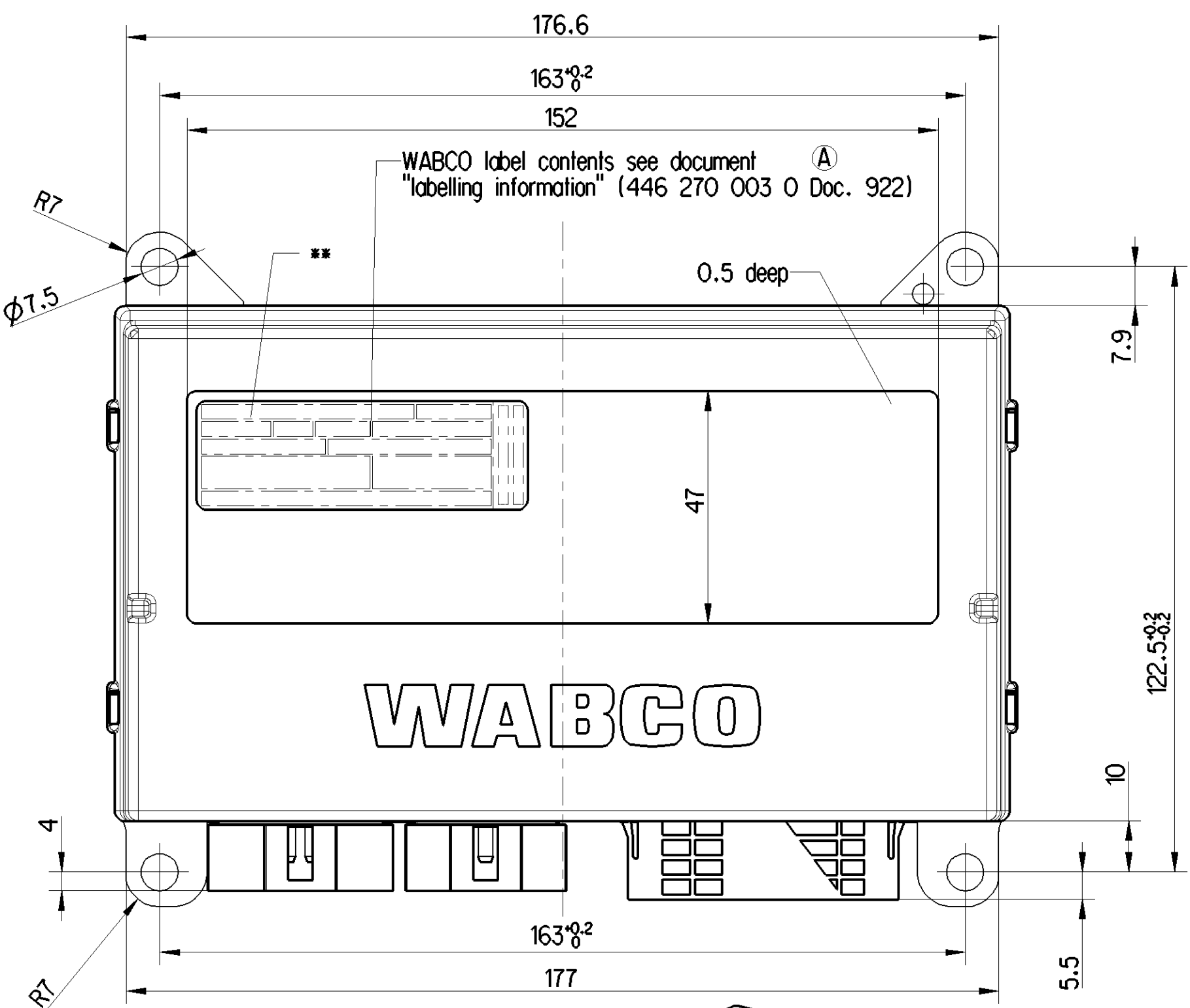
FURTHER TECHNICAL DATA SEE PRODUCT SPECIFICATION
 *** WEITERE TECHNISCHE DATEN SIEHE PRODUKTSPEZIFIKATION
 POUR AUTRES DONNEES TECHNIQUES VOIR SPECIFICATION DU PRODUIT
 PER ULTERIORI DATI TECNICI VEDERE SPECIFICA DI PRODOTTO

Non e permesso copiare, o terzi o riprodurre questo documento, ne utilizzare il contenuto o renderlo comunque noto a terzi senza autorizzazione esplicita. Ogni infrazione costituira un evidente abuso e comportera il risarcimento dei danni subiti. E' fatta riserva di tutti i diritti derivanti da brevetti o modelli.

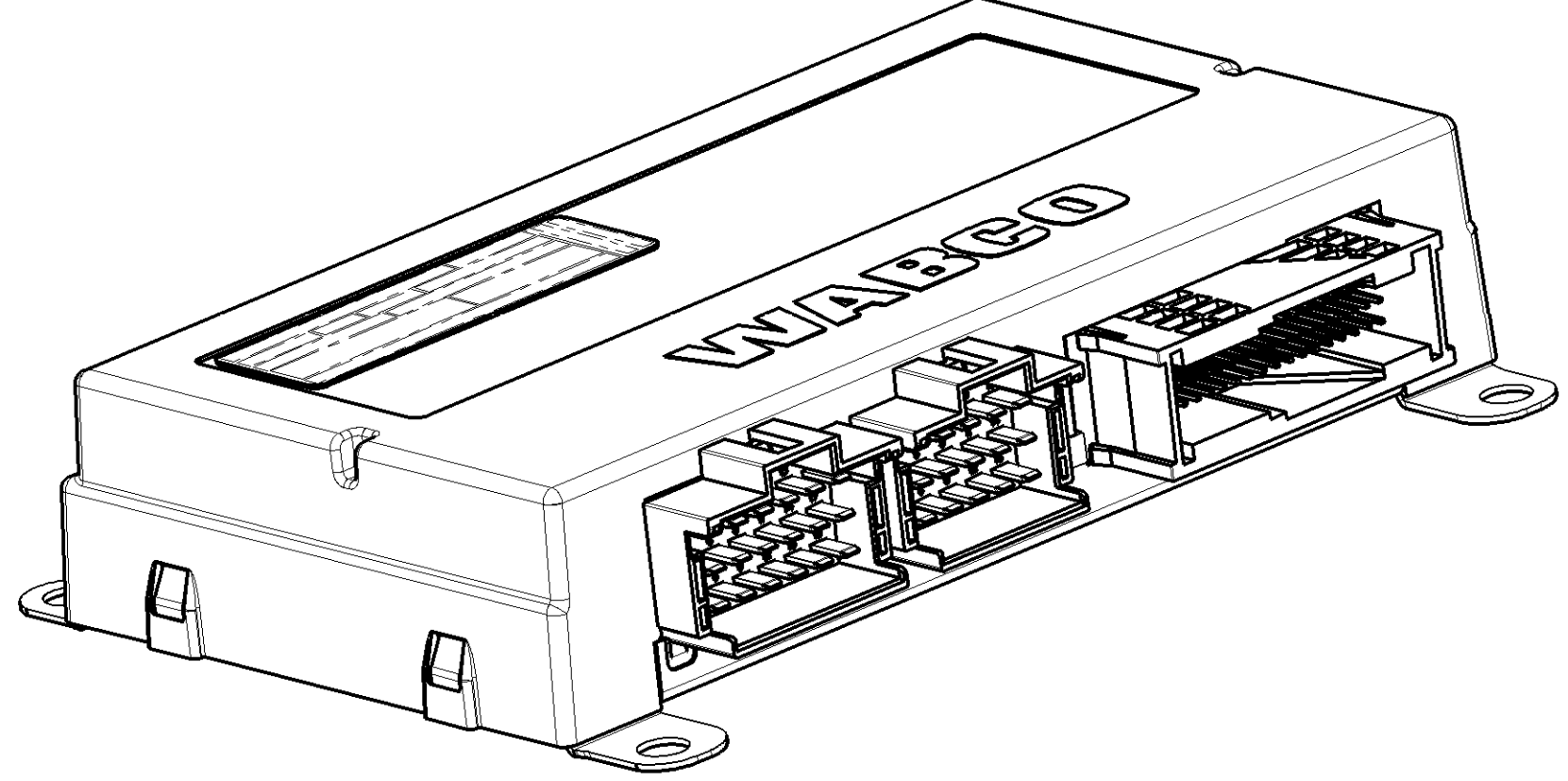
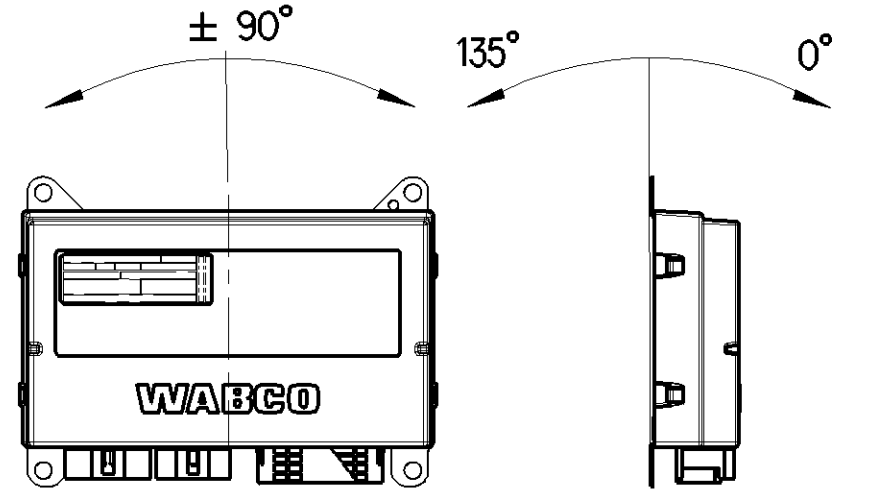
Copying of this document and giving it to others and the use or communication of the contents thereof, are forbidden without express authority. Contravention of this restriction will constitute an evident abuse and result in a liability to the payment of damages. All rights are reserved in the event of the grant of patent or registration of a utility model or design. This document is the subject of copyright.

Tout communication ou reproduction de ce document, toute exploitation ou communication de son contenu sont interdites, sauf autorisation expresse. Tout manquement a cette regle constitue un abus evident et expose son auteur au versement de dommages et interets. Tous droits de proprieete industrielle reserves, notamment en matiere de brevets et de modesles.

Wiederholte sowie Vervielfaeltigung dieser Unterlagen, Verbreiten und Mitteilen ihres Inhalts nicht gestattet, soweit nicht ausdruesslich ansonsten, zweckbindend, zweifelsfrei, schriftlich, in Verbindung mit dem Vermerk der Verantwortung zu Schadeersatz. Alle Rechte fuer den Fall der Patenterteilung oder Gebrauchsmuster-Eintragung vorbehalten.



INSTALLATION POSITION:
 EINBAULAGE:
 POSITION D'INSTALLATION:
 POSIZIONE DI MONTAGGIO:



1:1

General Specification: JED-334-1, Size ISO 14405 LP		Copyright WABCO®		WABCO	
Further Technical Data:		Date	Signature		
Doc. Code:	Sheet:	2017-09-12	Golembiewski	ECU VCM	
General Tolerances JED-261		Checked	Peuser	ECU VCM	
Range of Nominal Dimensions (± mm)		Expert	SKUPPIN	ECU VCM	
Class	1)	≤ 50	> 50 ≤ 180	> 180 ≤ 400	> 400
Fine		0.5	1.0	1.5	2.0
Medium	X	1.0	2.0	3.0	4.0
Coarse		2.0	3.5	5.0	6.5
Tapped Holes acc.		Mass	Scale	Material No.	Date of first issue: 2007-10-17
1) Tolerance Class Applied Crossmarked		0.400	1:1	446 270 003 0	Doc.Code Language Sheet
		A 2	CREO	ECN-No. 174767	Revision 5 A
				Techn. Resp. 6170	Replacement for