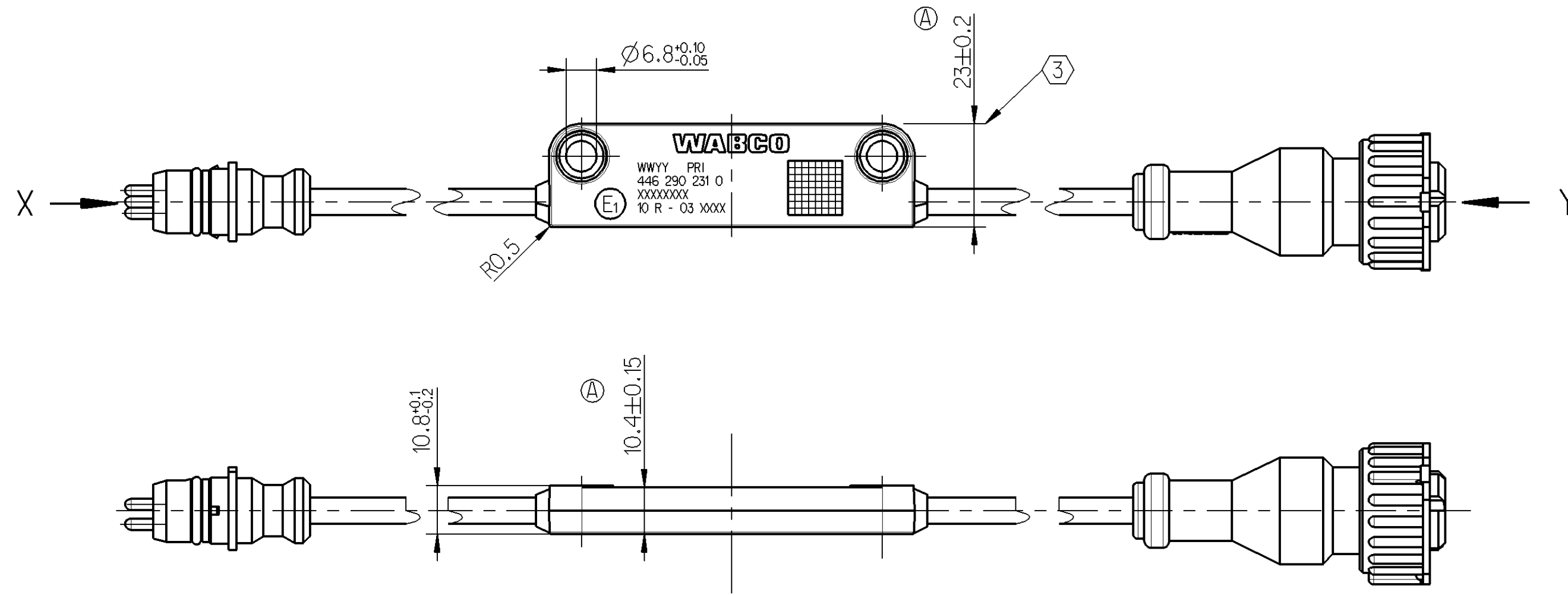
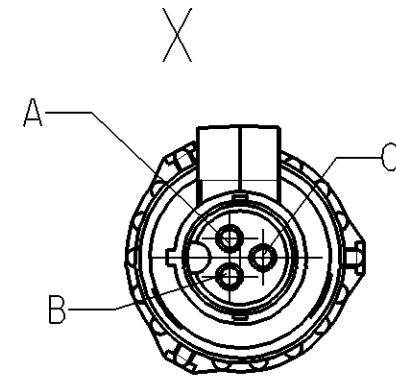
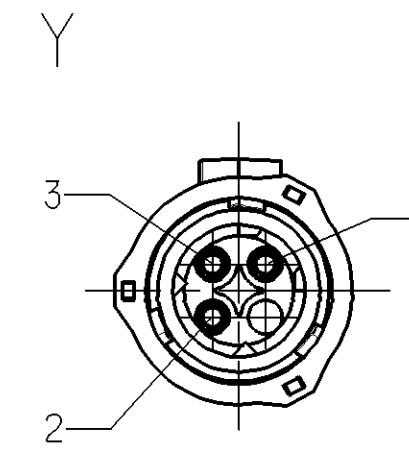


CONNECTOR COUPLING SENSOR
STECKER ANKOPPELSENSOR

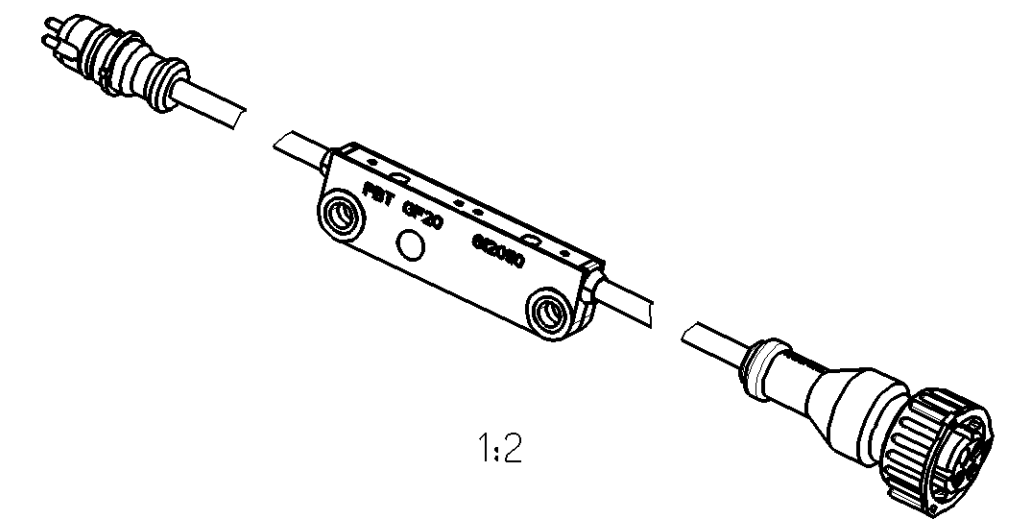
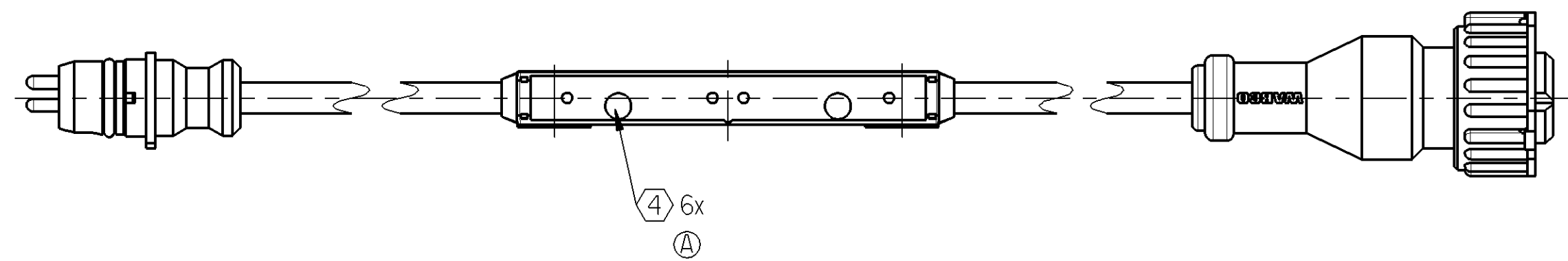
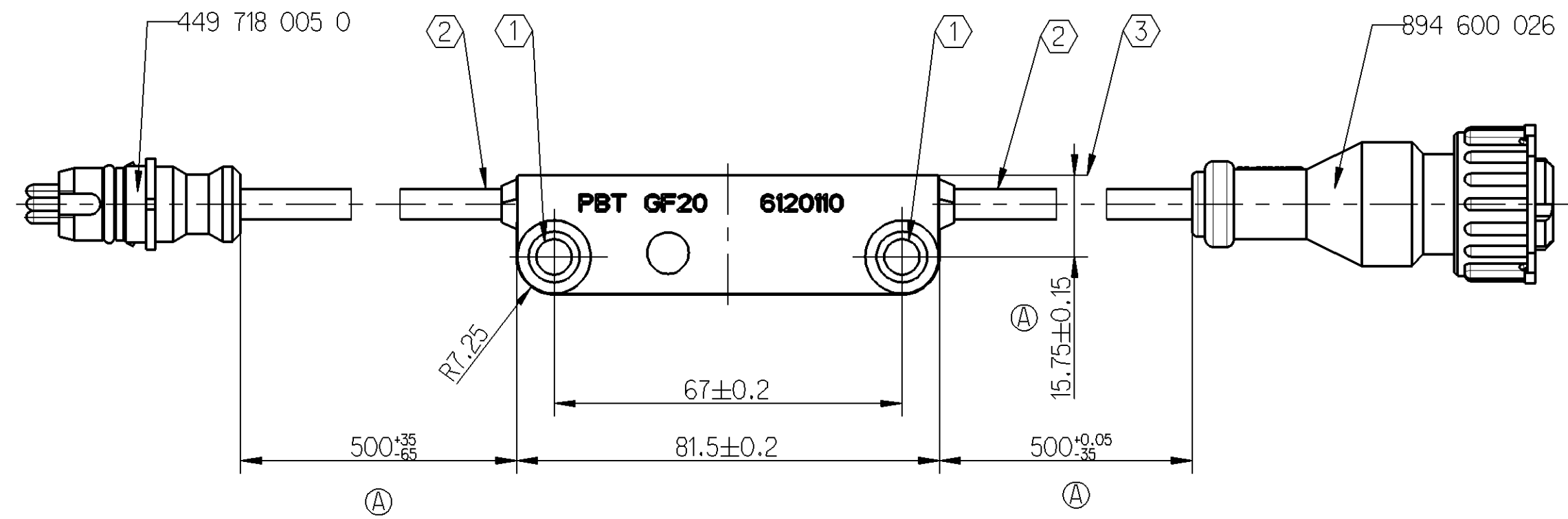
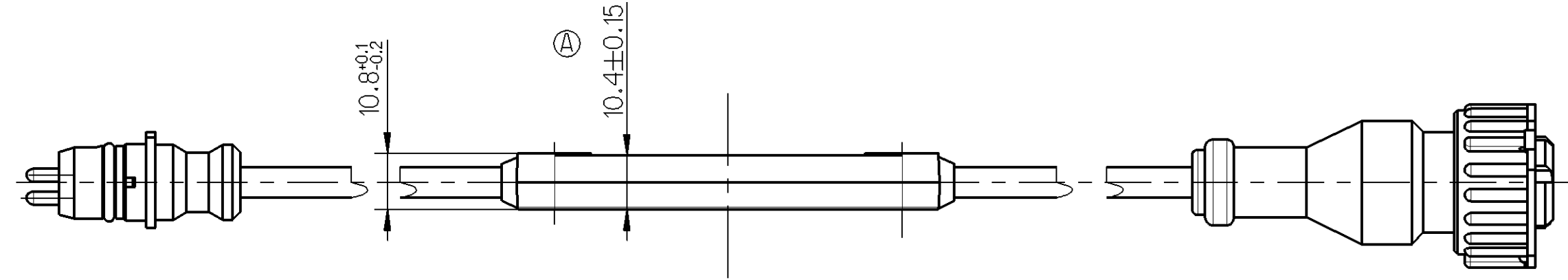
PIN	DESCRIPTION BESCHREIBUNG	VALUE WERT
A	SUPPLY (INPUT) VERSORGUNG (EINGANG)	--
B	LIN-BUS	SEE PRODUCT SPECIFICATION SIEHE PRODUKT-SPEZIFIKATION
C	GND	--



CONNECTOR PRESSURE SENSOR
STECKER DRUCKSENSOR



PIN	DESCRIPTION BESCHREIBUNG	VALUE WERT
1	SUPPLY (OUTPUT) VERSORGUNG (AUSGANG)	5.0 ±0.5 V I _{max} = 15 mA
2	GND	--
3	SENSOR SIGNAL SENSORSIGNAL	0.5 ... 4.5 V



①	RECOMMENDED SCREWS: EMPFOLGENE SCHRAUBEN:	2x M6 HEXAGON SOCKET HEAD CAP SCREW 8.8 ZINC PLATED (ISO 4762 / DIN 912) (NOT SUPPLIED BY WABCO) 2x M6 ZYLINDERSCHRAUBE MIT INNENSECHSKANT 8.8 VERZINKT (DIN 912 / ISO 4762) (GEOHRT NICHT ZUM LIEFERUMFANG VON WABCO)
	TIGHTENING TORQUE OF SCREW ANZIEHDREHMOMENT DER SCHRAUBEN	4 - 5 Nm
②	CABLE TO BE FASTENED AT A DISTANCE OF 20mm to 40mm FROM THE HOUSING - NO BUCKLING IN THIS AREA KABEL IM ABSTAND VON 20mm bis 40mm VOM GEHÄUSE FIXIEREN UND IN DIESEM BEREICH NICHT KNIKEN	
	PULL RELIEF AT ROOM TEMPERATURE MIN. ZUGENTLASTUNG BEI RAUMTEMPERATUR MIN.	100 N - 5 s
	TEMPERATURE RANGE TEMPERATURBEREICH	-40...+85 °C
	PROTECTION CLASS IN INSTALLED CONDITION SCHUTZART IM EINGEBAUTEN ZUSTAND	IP 6K9K
	OPERATING VOLTAGE BETRIEBSSPANNUNG	6 ...15 V
	CURRENT CONSUMPTION STROMAUFNAHME	70 µA (MIN.)... 9 mA (NOM.)... 20 mA (MAX.) ③
③	DIMENSIONS WITHOUT PROJECTING END OF POTTING COMPOUND ABMESSUNGEN OHNE VERGUSSMASSEUEBERSTAND	
④	PROJECTING END OF POTTING COMPOUND UP TO UEBERSTAND DER VERGUSSMASSE BIS	h=0.7 MAX

General Specifications: JED-334-0		Copyright WABCO®	
Further Technical Data: 446 290 231 0		Date	Signature
Doc. Code: 043	Sheets: 1 To X	2011-01-18	Blester
General Tolerances JED-261		Checked	Gruenderker
Range of Nominal Dimensions (± mm)		Expert Joachim Hein T1	
Class	1) ≤ 50	> 50 > 180	> 180 > 400
Fine	± 0.1	± 0.15	± 0.2
Medium	± 0.2	± 0.3	± 0.4
Coarse	± 0.3	± 0.5	± 0.6
Tapped Holes acc. -/-		Material No. 446 290 231 0	
1) Tolerance Class Applied Crossmarked		Doc. Code	Language
A 1	Pro/E	005	ML
ECN No. 154379		Revision	Techn. Resp.
9x A		5750_EM	Replacement for
Date of first issue: 2010-10-12		Sheet 1/1	

Tutti i diritti sono riservati. È vietata espressamente la ristampa o l'uso non autorizzato senza permesso scritto dalla WABCO. Il presente documento è proprietà intellettuale della WABCO e non deve essere distribuito o copiato senza permesso scritto dalla WABCO. Toute communication ou reproduction de ce document, toute exploitation ou communication de son contenu sans l'autorisation écrite de la WABCO est formellement interdite. Toute utilisation non autorisée sans la permission écrite de la WABCO est formellement interdite. All rights reserved. Any reprinting or unauthorized use without the written permission of WABCO is expressly prohibited. This document is the intellectual property of WABCO and must not be distributed or copied without the written permission of WABCO.