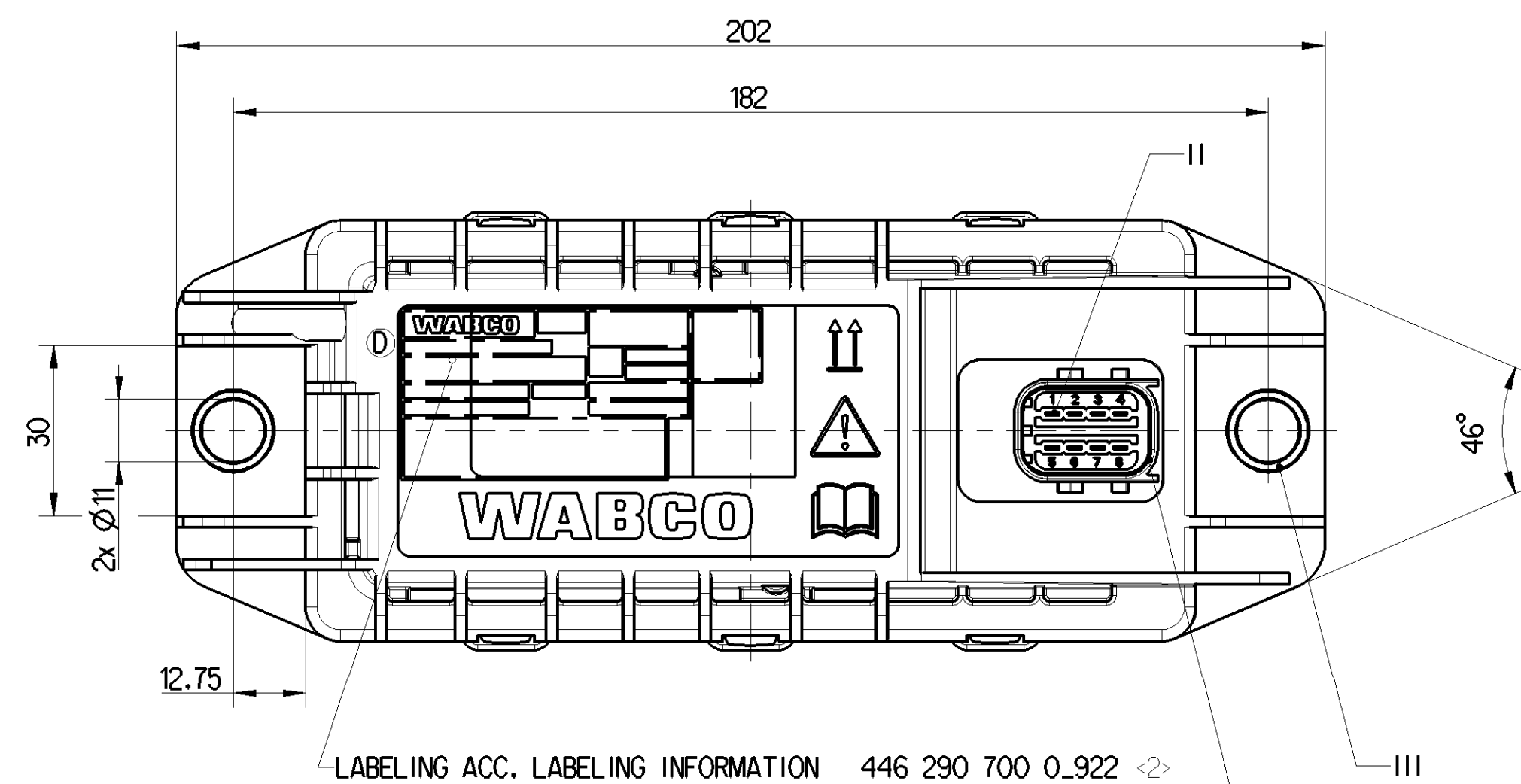
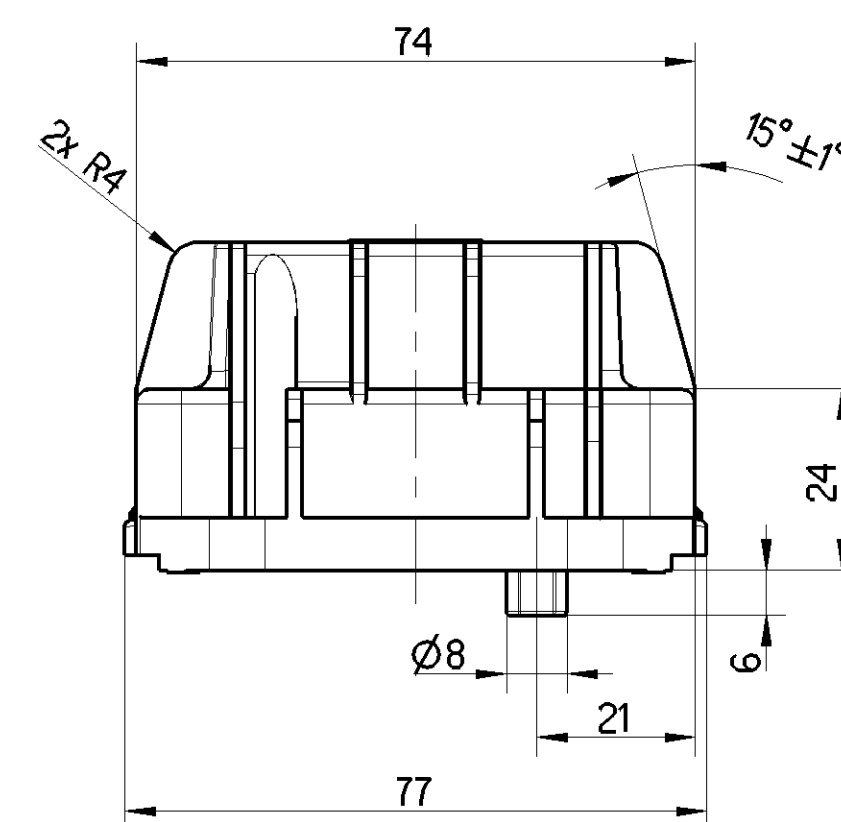
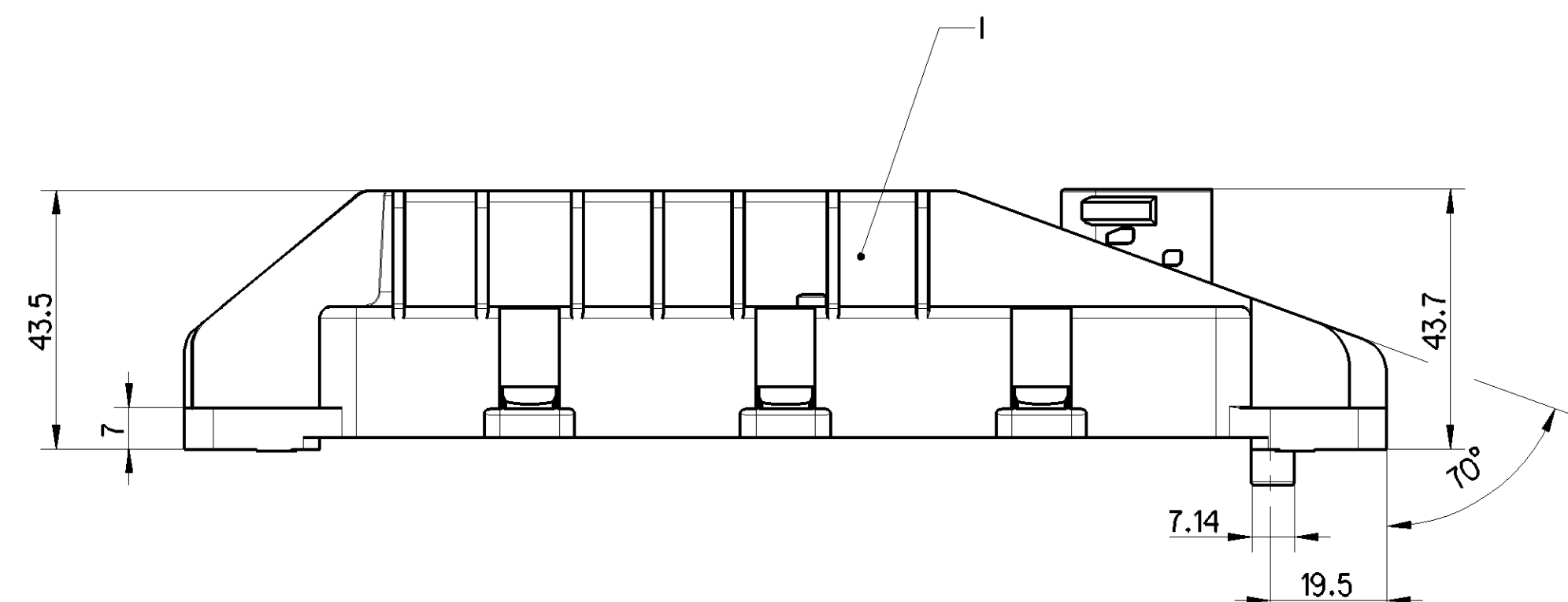
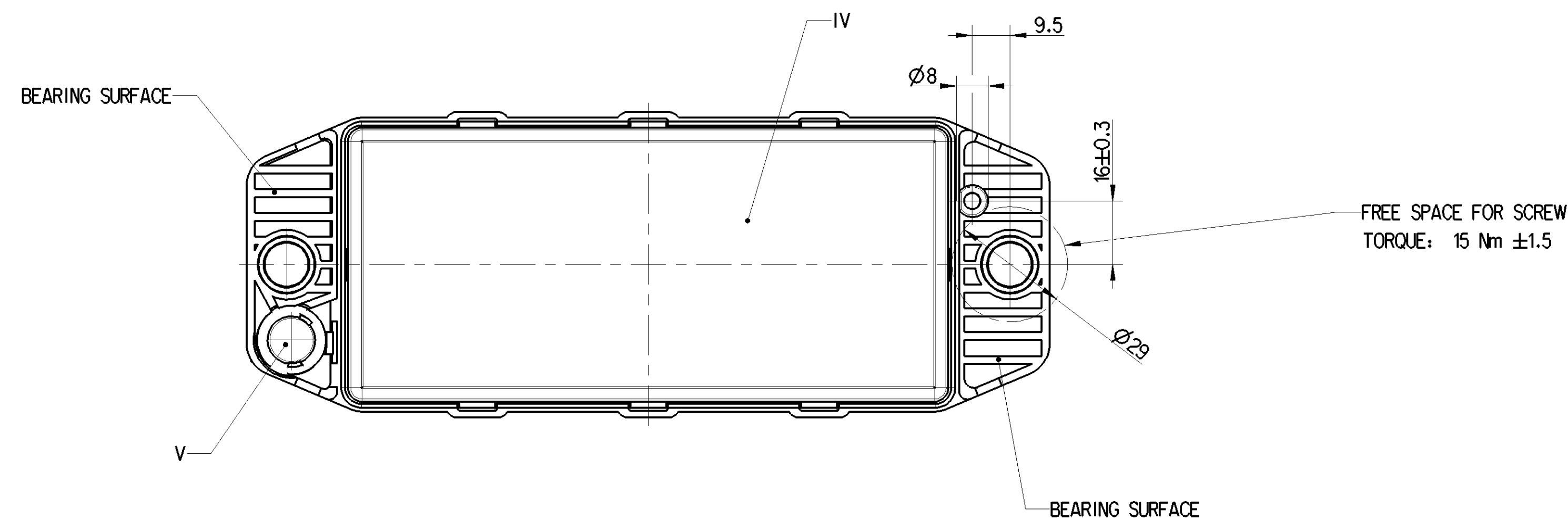


<I> SAFETY CHARACTERISTICS	0
<II> SIGNIFICANT CHARACTERISTICS	1
<CI> CUSTOMER INTERFACE	1



LABELING ACC. LABELING INFORMATION 446 290 700 0\_922 <II>

CONNECTOR ACC. TO INTERFACE DRAWING: 858 000 854 4 <CI>  
TYCO DESIGN ACC. TO TYCO DRAWING C-114-18740-1 CODING: A

MATERIAL		SURFACE PROTECTION	
I	PBT GF30	JED-352-10	
SEALING JOINT			
	SILICON SEALING	JED-692-5	
II	CuNi3Si1Mg R620	JED-826-2	Sn 1.5-3µm
III	Al CuBiPb		
IV	PA 66 GF35	JED-359-9	
V	PA 6 GF15	JED-668-1	

VOLTAGE: 8V ... 32V (TYP. +12V, +24V) DC  
SPANNUNG:

DEGREE OF PROTECTION PROVIDED BY ENCLOSURE  
COMPLETE DEVICE WITH MOUNTED CONNECTOR SOCKET IP 6K9K

THERMAL RANGE OF APPLICATION -40°C...+85°C

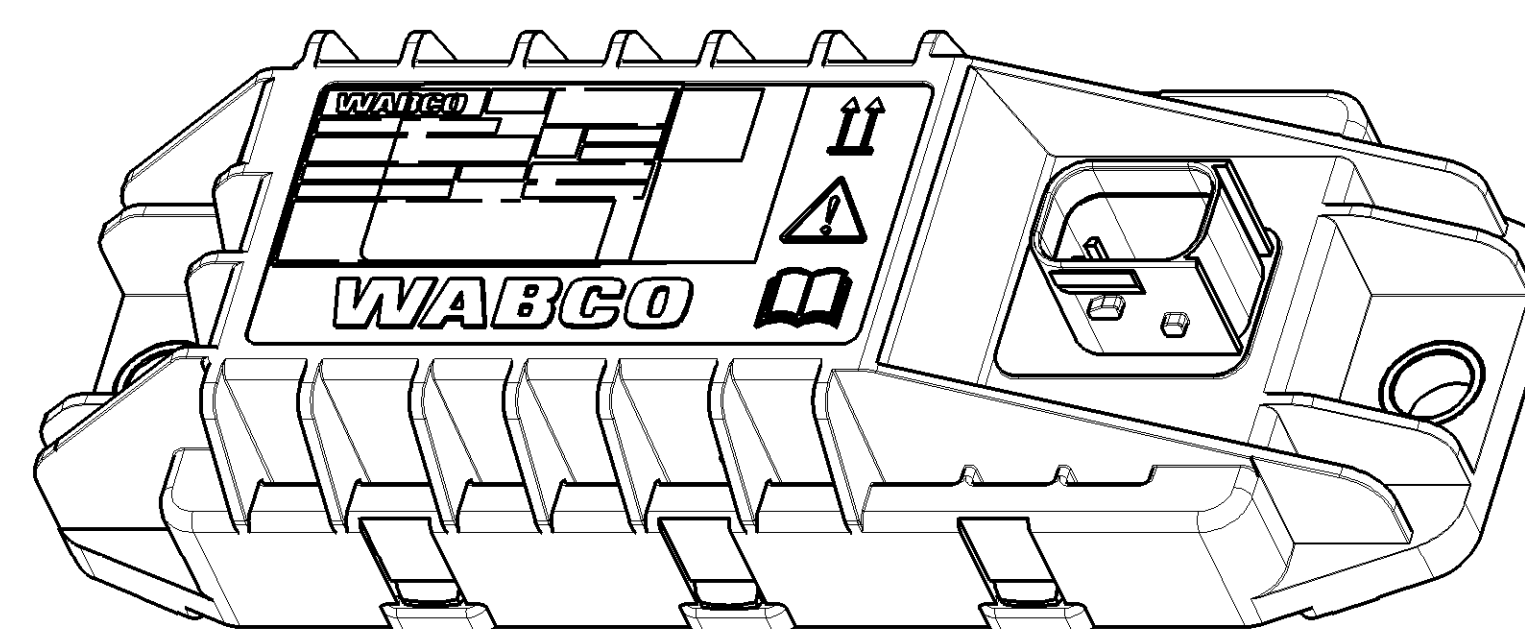
NON-OPERATING TEMPERATURE +100°C

DEVICE SHALL BE OPENED BY MANUFACTURER ONLY

NOTE: PLEASE DO NOT TOUCH THE MALE MULTIPOINT CONNECTOR CONTACTS

FURTHER TECHNICAL DATA SEE PRODUCT SPECIFICATION 446 290 700 0 (DOC. CODE 035)

PORT	FUNCTION
1	CAN LOW IN/OUT
2	CAN HIGH IN/OUT
3	POWER STAGE OUTPUT (OUTPUT TYP + UB)
4	ANALOGUE INPUT
5	GROUND (ANALOGUE INPUT)
6	ALTERNATE SUPPLY (INPUT TYP, TERMINAL 15)
7	OPERATING VOLTAGE (INPUT TYP, TERMINAL 30)
8	VEHICLE GROUND (GND)



General Specification: ISO 9015, JED-334-1, Size ISO 14405 LP		Copyright WABCO®	
Further Technical Data:		Date: 2022-01-28	Signature: Belcozacko
Doc. Code:	Sheet: To	ECU OptiLink	
General Tolerances JED-261		2022-02-01 Write	
Range of nominal dimensions in mm		Dimensions in mm	
Class	1) ≤ 50	2) 50 > 180	3) 180 ≤ 400
Fine	±0.5	±1	±1.5
Medium	±1	±2	±3
Coarse	±2	±3.5	±5
Tapped Holes acc.		Mass: 0.268 kg	Scale: 1:1
1) Tolerance Class Applied Crossmarked		Material No.: 446 290 700 0	Date of first issue: 2016-04-18
A 1	CREO	Revision: 1 x F	Doc. Code: 005 EN 1/1
		EDC No.: 510266	Tech. Resp.: 5750
		Replacement for	

Tutti i diritti sono riservati. È vietata espressamente la ristampa o l'uso non autorizzato senza permesso scritto dalla WABCO. Tutti i diritti sono riservati. Toute réimpression ou utilisation non autorisée sans la permission écrite de la WABCO est formellement interdite. All rights reserved. No part of this document may be reproduced, stored in a retrieval system, or transmitted in any form or by any means, electronic, mechanical, photocopying, recording, or by any information storage and retrieval system, without the prior written permission of WABCO. All rights reserved.