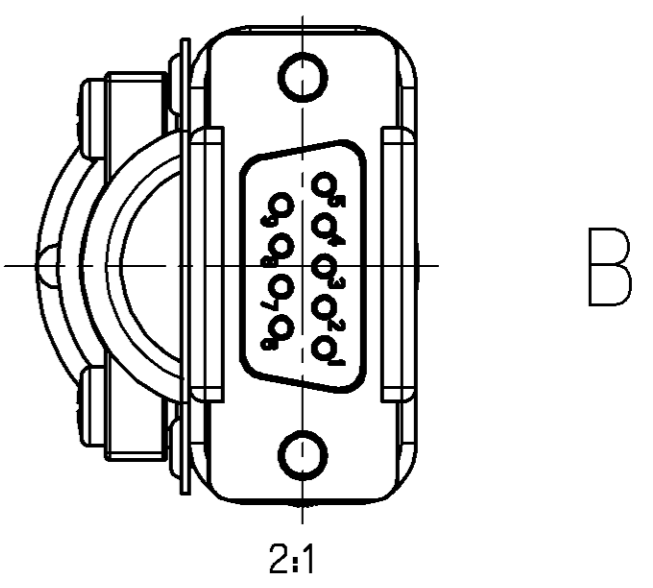
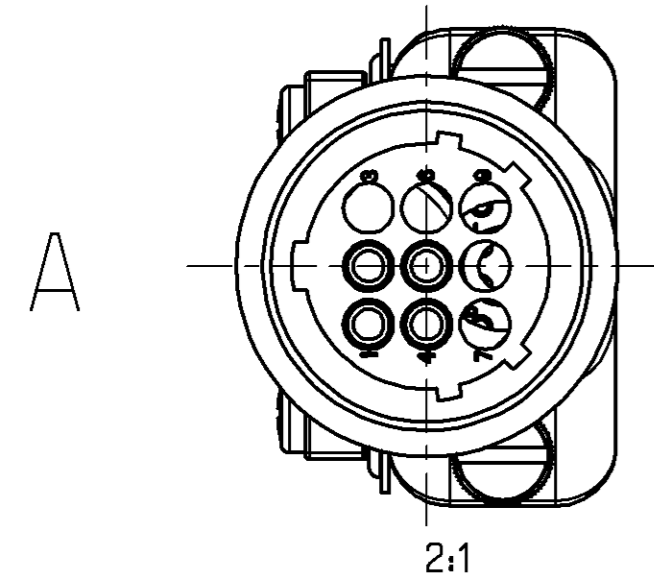
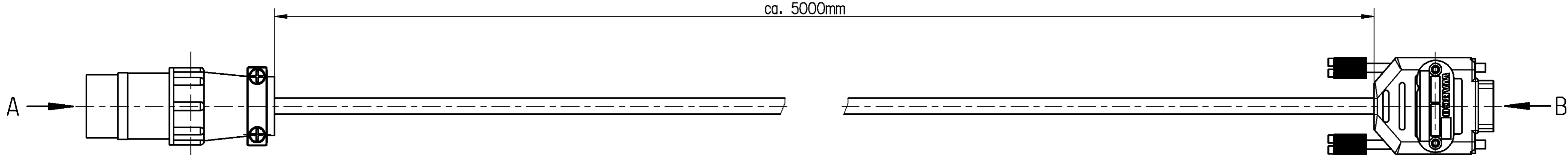


NON È PERMESSO CONSERVARE A TIRAZI O RIPRODURRE QUESTO DOCUMENTO, NE UTILIZZARE IL CONTENUTO O RENDERSI RESPONSABILI PER QUALSIASI DANNO, PERDITA O DANNI, O PERDITA DI DATI, DIRITTI, BREVETTI, PATENTI, O MODELLI.
 COPIING OF THIS DOCUMENT AND GIVING IT TO OTHERS AND THE USE OR COMMUNICATION OF THE CONTENTS THEREOF, WITHOUT THE WRITTEN PERMISSION OF THE AUTHOR, IS PROHIBITED. ALL RIGHTS ARE RESERVED IN THE EVENT OF THE ABUSE AND RESULT IN A LIABILITY TO THE PAYMENT OF DAMAGES. ALL RIGHTS ARE RESERVED IN THE EVENT OF THE ABUSE AND RESULT IN A LIABILITY TO THE PAYMENT OF DAMAGES. THIS DOCUMENT IS THE SUBJECT OF COPYRIGHT.

TOUTE COMMUNICATION OU REPRODUCTION DE CE DOCUMENT, TOUTE EXPLOITATION DE COMMUNICATION DE SON CONTENU, SANS LA PERMISSION ÉCRITE DE L'AUTEUR, EST PROHIBÉE. TOUTES LES RESPONSABILITÉS, PERTES, DOMMAGES, DÉPANNAGES, PÉRIODES DE TRAVAIL, OUBLI DE DONNER DES ORDRES, OUBLI DE RÉSULTATS, OUBLI DE PROPRIÉTÉ INDUSTRIELLE, BREVETS, NOTAMMENT EN MATIÈRE DE BREVETS ET DE MODELES.
 WELTEREABE SOWIE VERLEIHLICHUNG DIESER UNTERLAGE, VERBREITUNG UND MITTEILUNG IHRES INHALTS NICHT ZULASSEN. ALLE RECHTE SIND VORBEHALTEN. ALLE RECHTE SIND VORBEHALTEN. ALLE RECHTE SIND VORBEHALTEN. ALLE RECHTE SIND VORBEHALTEN.



WORKING LENGHT
 ARBEITSLAENGE
 LONGEUR DE TRAVAIL
 LUNGHEZZA DI LAVARO

CA. 5000 MM

THERMAL RANGE OF APPLICATION
 THERMISCHER ANWENDUNGSBEREICH
 GAMME D'APPLICATION THERMIQUE
 CAMPO DI APPLICAZIONE TERMICA

-40° C+70° C

VOLTAGE RANGE
 SPANNUNGSBEREICH
 GAMME DE TENSION
 CAMPO DI TENSIONE

0.....32 V

TYPE OF PROTECTION
 SCHUTZART
 MODE DE PROTECTION
 TIPO DI PROTEZIONE

IP 20

CHAMBER IN: A KAMMER IN: A CHAMBRE EN: A CAMERA IN: A	CONTACT: A KONTAKT: A CONTACT: A CONTATTO: A	WIRE COLOUR ADERFARBE FIL COLOUR FILO COLORE	SIGNAL	CHAMBER IN: B KAMMER IN: B CHAMBRE EN: B CAMERA IN: B
1	894 512 987 4	ROT	+UB	1
2	894 512 987 4	BRAUN	GROUND	2
4	894 512 987 4	GRUEN	CAN-L	4
5	894 512 987 4	GELB	CAN-H	5

GENERAL SPECIFICATION: JED-334-0		PRO/ENGINEER DRAWING COPYRIGHT		WABCO	
FURTHER TECHNICAL DATA:		DATE		SIGNATURE	
DOC. CODE:		SHEET: TO		DRAWN	
GENERAL TOLERANCES		03-10-01 RZOK		CHECKED	
RANGE OF NOMINAL DIMENSIONS (± mm)		03-10-01 EILERT		EXPERT CODE	
CLASS 1)	≤ 50	> 50 ≤ 180	> 180 ≤ 400	> 400	7 7 8
FINE	0.5	1.0	1.5	2.0	±3°
MEDIUM	1.0	2.0	3.0	4.0	
COARSE	2.0	3.5	5.0	6.5	
TAPPED HOLES ACC. ISO 4039 / JED-152		DCN-NO.		REV.	
1) TOLERANCE CLASS APPLIED CROSSMARKED		DATE		DATE	
MASS	SCALE	PRODUCT IDENTIFICATION NO.		DOC. CODE SHEET	
0.000 KG	1:1 2:1	446 300 361 0		605 1/1	
SIZE	TRI	FUNCTION CODE		SHAPE CODE	
A 2	630	-		REPLACEMENT FOR	

Dwg.: 4463003610_605_...1 PROTOTYPE
 Td.: 4463003610_A02 n.7