

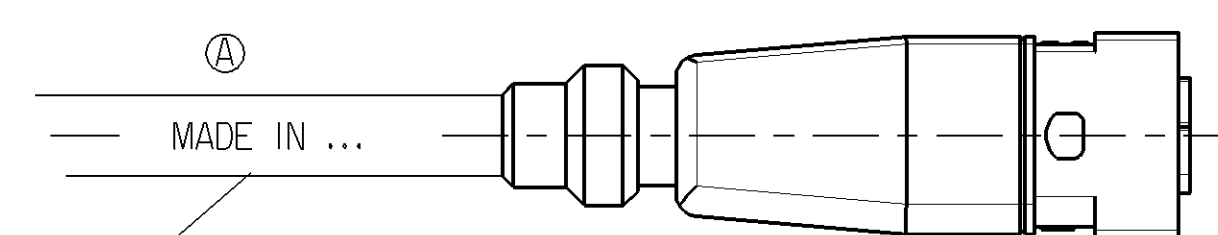
THERMAL RANGE OF APPLICATION :  
 THERMISCHER ANWENDUNGSBEREICH: -40 °C....+80 °C  
 GAMME D'APPLICATION THERMIQUE:  
 CAMPO TERMICO D'APPLICAZIONE :

RESISTANT TO : AIR, WATER, MINERAL OIL, PETROL, DIESEL OIL, SALT SPRAY  
 BESTAENDIG GEGEN: LUFT, WASSER, MINERAL OEL, BENZIN, DIESEL OEL, SALZSPRUEHNEBEL  
 RESISTANT A : AIR, EAU, HUILE MINERALE, ESSENCE, GASOIL, BROUILLARD SALIN  
 RESISTENTE A : ARIA, AQUA, OLIO MINERALE, BENZINA, GASOLIO, NEBBIA SALINA

DEGREE OF PROTECTION (IN CONNECTION WITH PLUG) :  
 SCHUTZART (IN VERBINDUNG MIT STECKER) : A: IP 54  
 DEGRE DE PROTECTION (DANS CONNECTION AVEC FICHE): B: IP 67 / IP 6K 9K  
 GRADO DI PROTEZIONE (IN RELAZIONE CON SPINA) :

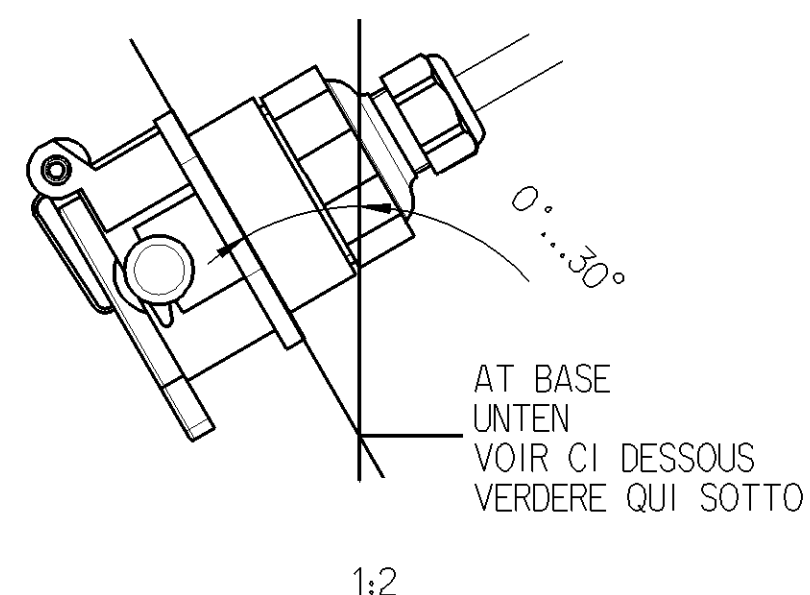
SURFACE PROTECTION :  
 OBERFLAECHENSCHUTZ : \* Sn , \*\* Ni  
 PROTECTION DE SURFACE:  
 PROTEZIONE SUPERFICI :

CABLES :  
 LEITUNGEN : PVC (A)  
 CABLES :  
 CAVI :



IDENTIFICATION OF COUNTRY OF ORIGIN  
 KENNZEICHNUNG WARENRSPRUNGLAND  
 IDENTIFICATION DA PAYS D'ORIGINE  
 IDENTIFICAZIONE DEL PAESE D'ORIGINE

ADMISSIBLE INSTALLATION POSITION  
 ZULAESSIGE EINBAULAGE  
 POSITION D'INSTALLATION ADMISE  
 POSIZIONE DI MONTAGGIO AMMESSA



CHAMBER IN: KAMMER IN: CAMERA IN:	CABLE KABEL CABLO CAVO	WIRE COLOUR ADDER FARBE FIL COLEURE FILO COLORE	CHAMBER IN: KAMMER IN: CAMERA IN:
1	4.0mm <sup>2</sup>	RED ROT ROUGE ROSSO	3
2	1.5mm <sup>2</sup>	BLACK SCHWARZ NOIR NERO (A)	1
3	1.5mm <sup>2</sup>	YELLOW GELB JAUNE GIALLO (A)	8
4	4.0mm <sup>2</sup>	BROWN BRAUN BRUN BRUNO	4
5	1.5mm <sup>2</sup>	WHITE WEISS BLANC BIANCO (A)	7
6	NOT CONNECTED NICHT BELEGT NE PAS CONNECTE(E) NON COLLEGATO(TA)		
7	NOT CONNECTED NICHT BELEGT NE PAS CONNECTE(E) NON COLLEGATO(TA)		

First production samples, samples from new or modified moulds or changes of every kind must be approved Engineering Department  
 Teile der ersten Produktion, Teile aus neuen oder geaenderten Formwerkzeugen oder Aenderungen jeglicher Art beduerfen der Genehmigung durch die Entwicklungsabteilung  
 Les premieres pieces de production, les pieces provenant de nouveaux moules ou de moules modifies, ou toutes autres modification, doivent etre approuvees par le departement des etudes  
 Campioni di inizio produzione, campioni ottenuti con stampi nuovi o modificati o con qualsiasi genere di modifica devono essere approvati dall'ufficio tecnico.

CODE OF LENGTH LAENGCODIERUNG CODE DE LA LONGUEUR CODICE DEL LUNGHEZZA	Part No TEILE NR. NO. DE PIECE CODICE
	449 125 □ □ □ 0
EXAMPLE BEISPIEL EXEMPLE ESEMPIO	L = 6_m 449 125 06Q 0
MIN/MAX LENGTH MIN/MAX LAENGE MIN/MAX LONGUEUR MIN/MAX LUNGHEZZA	L_min = 0.1m L_max = 20m
TOLERANCES TOLERANZEN TOLERANZEN TOLERANZA	L < 10m ±0.050m L > 10m ±0.075m

General Specifications: JED-334-0 - Size ISO 14405-1 E		Copyright WABCO®		WABCO	
Further Technical Data:		Date	Drawn	Signature	
Doc. Code:	Sheet: To:	2013-03-04	Grychowicz	SUPPLY CABLE VERSORGUNGSLEITUNG MIT ABS-STECKDOSE CABLE D'ALIMENTATION CAVO DI ALIMENTAZIONE	
General Tolerances JED-261		Checked	Gruenderker	Expert Nieber	
Range of Nominal Dimensions ( ± mm)		Material No.		Date of first issue	
Class 1)	<math>\leq 50</math> <math>> 50 <math>\leq 180</math> <math>\leq 180 <math>\leq 400</math> <math>> 400</math>	449 125 000 0		053 ML 1/1	
Fine	0.5 1.0 1.5 2.0	Revision		Tech. Resp.	
Medium	1.0 2.0 3.0 4.0	7x A		6390_EM	
Coarse	2.0 3.5 5.0 6.5	Tapped Holes acc.		Replacement for	
Tapped Holes acc.		A 1 Pro/E		159549	
1) Tolerance Class Applied Crossmarked		1:1 (1:2)		100mm	

Non e permesso copiare o tradurre questo documento, ne utilizzare il contenuto o renderlo comunque noto a terzi senza permesso scritto dalla WABCO. Toute reproduction ou traduction de son contenu sans autorisation est formellement interdite. Toute utilisation non autorisee de ce document est formellement interdite. All rights reserved. No part of this document may be reproduced, stored in a retrieval system, or transmitted in any form or by any means, electronic, mechanical, photocopying, recording, or by any information storage and retrieval system, without the prior written permission of WABCO.